



## Photo



## Descriptions

Part to attach a duct to take in fresh air from outdoors.

## Applicable Models

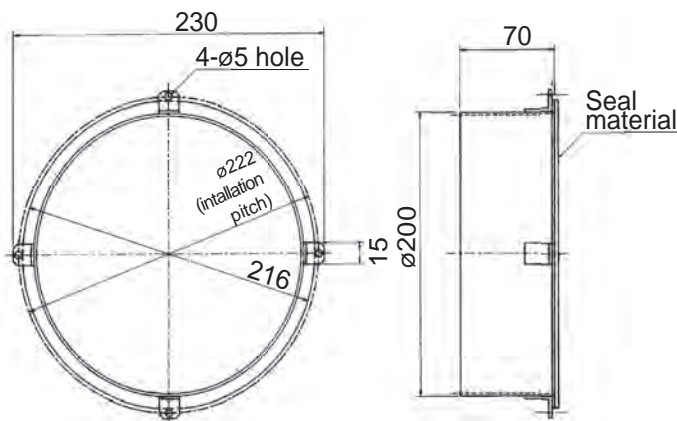
■ PCA-M71HAQ

## Specifications

|                               |   |
|-------------------------------|---|
| Connecting duct diameter (mm) | 200   |
| Material                      | Hot-dip zinc-coated carbon steel sheet (t0.8) |
| Accessory                     | Fixing screw (ST4x10) x 4                     |

## Dimensions

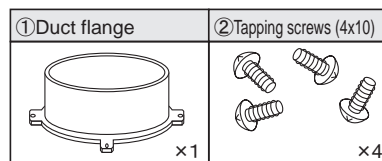
Unit : mm



## How to Use / How to Install

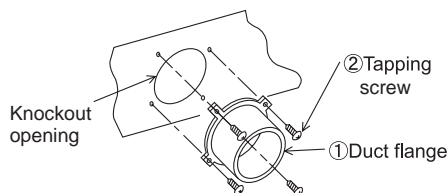
### 1. Checking Provided Parts

※ Make sure that you have all the following parts before installation:



### 2. Duct Flange Installation Procedure

1. Punch out the knockout opening for installing duct on indoor unit.
2. Use the provided tapping screws ② to secure duct flange ①.



### 3. Duct Installation Procedure

1. Securely fix the duct (with inner diameter 200 mm) procured at local site to the duct flange, using screws or band.

