

Air-Conditioners For Building Application INDOOR UNIT

PMFY-P·VBM-E

For use with the R410A, R407C & R22 Για χρήση με τα R410A, R407C και R22
Bei Verwendung von R410A, R407C & R22 Para utilização com o R410A, R407C e o R22
A utiliser avec le R410A, R407C et le R22 R410A, R407C ve R22 ile beraber kullanmak için
Bij gebruik van R410A, R407C & R22 Для использования с моделями R410A, R407C и R22
Para utilizar con el R410A, R407C y el R22 使用R410A, R407C和R22
Usado del refrigerante R410A, R407C e R22 制冷剂

INSTALLATION MANUAL

For safe and correct use, read this manual and the outdoor unit installation manual thoroughly before installing the air-conditioner unit.

FOR INSTALLER

INSTALLATIONSHANDBUCH

Aus Sicherheitsgründen und zur richtigen Anwendung vor Installation der Klimaanlage die vorliegende Bedienungsanleitung und das Installationshandbuch gründlich durchlesen.

FÜR INSTALLATEURE

MANUEL D'INSTALLATION

Avant d'installer le climatiseur, lire attentivement ce manuel, ainsi que le manuel d'installation de l'appareil extérieur pour une utilisation sûre et correcte.

POUR L'INSTALLATEUR

INSTALLATIEHANDLEIDING

Lees deze handleiding en de installatiehandleiding van het buitenapparaat zorgvuldig door voordat u met het installeren van de airconditioner begint.

VOOR DE INSTALLATEUR

MANUAL DE INSTALACIÓN

Para un uso seguro y correcto, lea detalladamente este manual de instalación antes de montar la unidad de aire acondicionado.

PARA EL INSTALADOR

MANUALE DI INSTALLAZIONE

Per un uso sicuro e corretto, prima di installare il condizionatore d'aria leggere attentamente il presente manuale ed il manuale d'installazione dell'unità esterna.

PER L'INSTALLATORE

ΕΓΧΕΙΡΙΔΙΟ ΟΔΗΓΙΩΝ ΕΓΚΑΤΑΣΤΑΣΗΣ

Για σωστή και ασφαλή χρήση, διαβάστε προσεκτικά αυτό το εγχειρίδιο, καθώς και το εγχειρίδιο εγκατάστασης της εξωτερικής μονάδας, πριν από την εγκατάσταση της μονάδας κλιματιστικού.

ΓΙΑ ΑΥΤΟΝ ΠΟΥ ΚΑΝΕΙ ΤΗΝ ΕΓΚΑΤΑΣΤΑΣΗ

MANUAL DE INSTALAÇÃO

Para uma utilização segura e correcta, leia atentamente este manual e o manual de instalação da unidade exterior antes de instalar o aparelho de ar condicionado.

PARA O INSTALADOR

MONTAJ ELKİTABI

Emniyetli ve doğru kullanım için, klima cihazını monte etmeden önce bu kılavuzu ve dış ünite montaj kılavuzunu tamamiyle okuyun.

MONTÖR İÇİN

РУКОВОДСТВО ПО УСТАНОВКЕ

Для обеспечения безопасной и надлежащей эксплуатации внимательно прочтите данное руководство и руководство по установке наружного прибора перед установкой кондиционера.

ДЛЯ УСТАНОВИТЕЛЯ

安装说明书

在安装空调机之前，请先通读此安装说明书，以便安全正确地使用。

安装人员适用**English (GB)****Deutsch (D)****Français (F)****Nederlands (NL)****Español (E)****Italiano (I)****Ελληνικά (GR)****Português (P)****Türkçe (TR)****Русский (RU)****中文 (中)**

Contents

1. Safety precautions.....	2	4. Electrical work	6
2. Installing the indoor unit.....	2	5. Installing the grille.....	7
3. Refrigerant pipe and drain pipe.....	4	6. Test run.....	9

1. Safety precautions

- ▶ Before installing the unit, make sure you read all the “Safety precautions”.
- ▶ Please report to your supply authority or obtain their consent before connecting this equipment to the power supply system.

Warning:
Describes precautions that must be observed to prevent danger of injury or death to the user.

Caution:
Describes precautions that must be observed to prevent damage to the unit.

After installation work has been completed, explain the “Safety Precautions,” use, and maintenance of the unit to the customer according to the information in the Operation Manual and perform the test run to ensure normal operation. Both the Installation Manual and Operation Manual must be given to the user for keeping. These manuals must be passed on to subsequent users.

- Warning:**
- Ask the dealer or an authorized technician to install the air conditioner.
 - Install the unit at a place that can withstand its weight.
 - Use the specified cables for wiring.
 - Use only accessories authorized by Mitsubishi Electric and ask the dealer or an authorized technician to install them.
 - Do not touch the heat exchanger fins.
 - Install the air conditioner according to this Installation Manual.

- Caution:**
- Do not use the existing refrigerant piping, when use R410A or R407C refrigerant.
 - Use ester oil, either oil or alkylbenzene (small amount) as the refrigerant oil to coat flares and flange connections, when use R410A or R407C refrigerant.
 - Do not use the air conditioner where food, pets, plants, precision instruments, or artwork are kept.
 - Do not use the air conditioner in special environments.
 - Ground the unit.

- ⊘ : Indicates an action that must be avoided.
- ⚠ : Indicates that important instructions must be followed.
- ⚡ : Indicates a part which must be grounded.
- ⚠ : Indicates that caution should be taken with rotating parts.
- ⚡ : Indicates that the main switch must be turned off before servicing.
- ⚡ : Beware of electric shock.
- ⚠ : Beware of hot surface.
- ⚡ ELV : At servicing, please shut down the power supply for both the Indoor and Outdoor Unit.

Warning:
Carefully read the labels affixed to the main unit.

- Have all electric work done by a licensed electrician according to local regulations.
- If the air conditioner is installed in a small room, measures must be taken to prevent the refrigerant concentration from exceeding the safety limit even if the refrigerant should leak.
- The cut face punched parts may cause injury by cut, etc. The installers are requested to wear protective equipment such as gloves, etc.

- Install an leak circuit breaker, as required.
- Use power line cables of sufficient current carrying capacity and rating.
- Use only a circuit breaker and fuse of the specified capacity.
- Do not touch the switches with wet fingers.
- Do not touch the refrigerant pipes during and immediately after operation.
- Do not operate the air conditioner with the panels and guards removed.
- Do not turn off the power immediately after stopping operation.

2. Installing the indoor unit

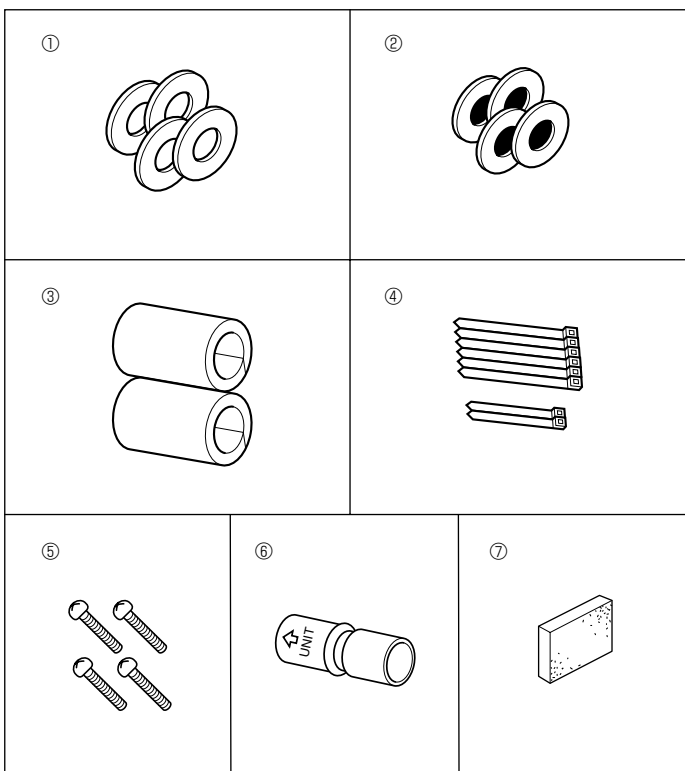


Fig. 2-1

2.1. Check the indoor unit accessories (Fig. 2-1)

The indoor unit should be supplied with the following spare parts and accessories (contained in the inside of the intake grille).

	Accessory name	Q'ty
①	Washer	4 pcs
②	Washer (with insulation)	4 pcs
③	Pipe cover	2 pcs
④	Band	large : 6 pcs , small : 2 pcs
⑤	Screw	4 pcs M5 × 0.8 × 30
⑥	Drain socket	1 pc Marked with “UNIT”
⑦	Insulation	1 pc

2. Installation location

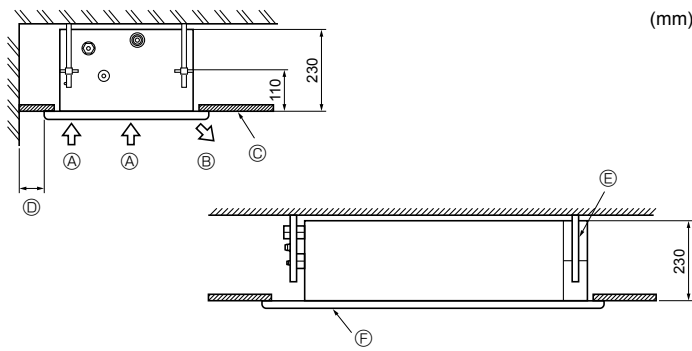


Fig. 2-2

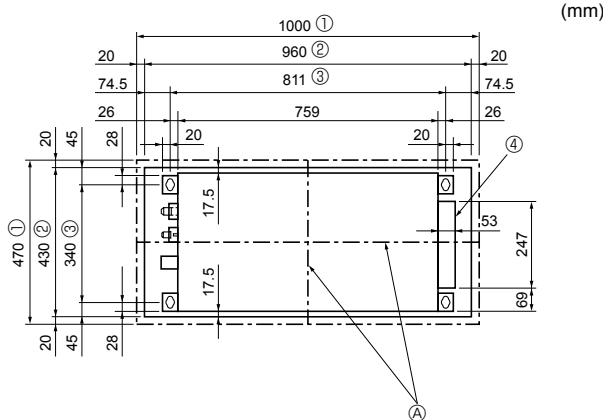


Fig. 2-3

2.2. Service space (Fig. 2-2)

- The dimensions of ceiling opening can be regulated within the range shown in following diagram; so centre the main unit against the opening of ceiling, ensuring that the respective opposite sides on all sides of the clearance between them becomes identical.
- Ⓐ Air intake
- Ⓑ Air outlet
- Ⓒ Ceiling panel
- Ⓓ Min. 200 mm
- Ⓔ Suspension bolts W3/8 or M10
- Ⓕ Grille

2.3. Ceiling openings and suspension bolt installation locations (Fig. 2-3)

- Make an opening in the ceiling 430 mm × 960 mm in size. This functions as a check window and will be needed later during servicing.
- If the dimensions are not accurate, when the grille is installed there may be gaps between it and the indoor unit. This may result in dripping water or other problems.
- When deciding on placement, consider carefully the space around the ceiling and make your measurements generous.
- Ceiling types and building construction differ. Therefore you should consult with the builder and decorator.

- Ⓐ The centres of the ceiling opening and the indoor unit should be aligned.
- ① Outer side of grille
- ② Ceiling opening
- ③ Bolt pitch
- ④ Electric box

- Using the installation template (top of the package) and the gauge (supplied as an accessory with the grille), make an opening in the ceiling so that the main unit can be installed as shown in the diagram. (The method for using the template and the gauge are shown.)
- Use M10 (3/8") suspension bolts.
- *Suspension bolts are to be procured at the field.
- After suspending the indoor unit, you will have to connect the pipes and wiring above the ceiling. Once the location has been fixed and the direction of the pipes has been determined, place the refrigerant and drainage pipes, the wiring for the remote controller, and the wiring that connects the indoor and outdoor units in their desired locations before suspending the indoor unit. This is especially important in cases where the ceiling is already in existence.

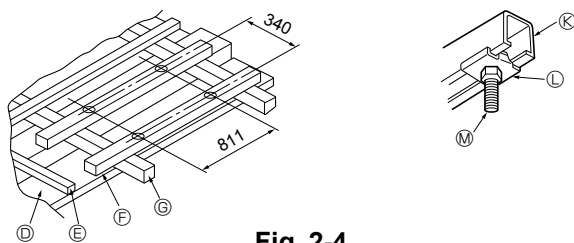


Fig. 2-4

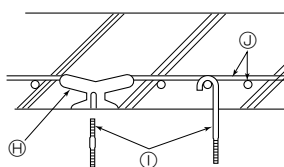


Fig. 2-5

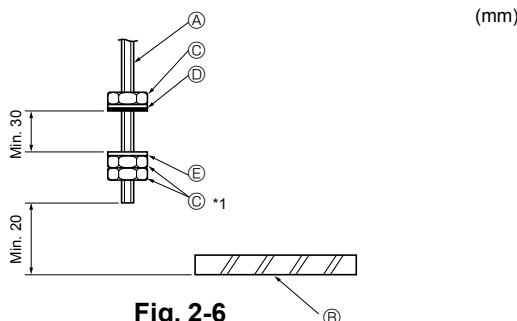


Fig. 2-6

- ① Wooden structures (Fig. 2-4)
- Use tie beams (single storied houses) or second floor beams (2 story houses) as reinforcing members.
- Wooden beams for suspending air conditioners must be sturdy and their sides must be at least 6 cm long if the beams are separated by not more than 90 cm and their sides must be at least 9 cm long if the beams are separated by as much as 180 cm. The size of the suspension bolts should be ϕ 10 mm (3/8"). (The bolts do not come with the unit.)
- Use channel, duct and other parts procured locally to suspend the indoor unit.

- ② Ferro-concrete structures (Fig. 2-5)
- Secure the suspension bolts using the method shown, or use steel or wooden hangers, etc. to install the suspension bolts.

- Ⓓ Ceiling panel
- Ⓔ Rafter
- Ⓕ Beam
- Ⓖ Roof beam
- Ⓗ Use inserts rated at 100-150 kg each
- Ⓘ Suspension bolts M10 (3/8") (procure locally)
- Ⓝ Steel reinforcing rod
- Ⓚ C channel
- Ⓛ Channel suspension bracket
- Ⓜ M10 suspension bolt

2.4. Unit suspension procedures (Fig. 2-6)

- Procure 3/8" bolts or M10 bolts locally.
- Adjust the length of the bolt's protrusion from the ceiling surface beforehand.
- *1. When using an extra upper nut in suspending the unit, in some cases you may have to add it later.
- Ⓐ Suspension bolt
- Ⓑ Ceiling panel
- Ⓒ Nut
- Ⓓ Washer (with insulation) ②
- Ⓔ Washer (without insulation) ①

2. Installing the indoor unit

1. 2. 3.

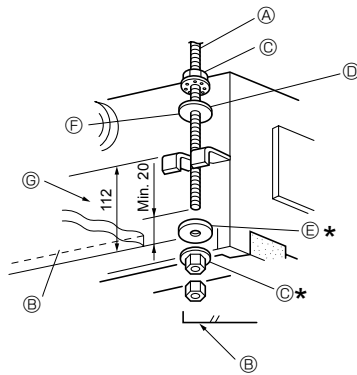


Fig. 2-7

4.

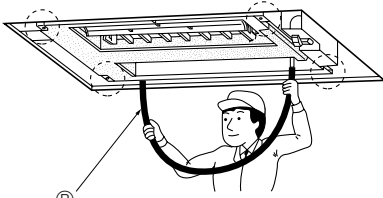


Fig. 2-8

5.

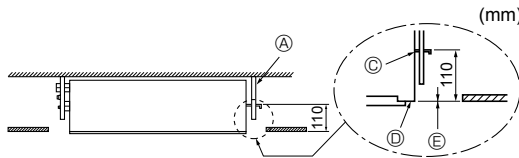


Fig. 2-9

- (mm) Check the pitch of the suspension bolt. (340 mm × 811 mm)
- Thread washers ① ② (supplied) and their nuts (procured locally) onto the suspension bolt in advance. (Fig. 2-7)
 - * Do this in the following order (from the top): nut, insulated washer ②, washer without insulation ①, 2 nuts.
 - * Position insulated washer ② with the insulated surface pointing down, as in the figure.
 - Lift the unit into place, aligned properly with the suspension bolt. Pass the bracket between washers ① and ②, which are already in place, and secure it. Do the same in all four places.
 - * Make sure the suspension bolt extends 20 mm or more from the surface of the ceiling. Otherwise you will not be able to install the cover panel (option).
 - If the long opening in the bracket and opening in the ceiling do not align, adjust them until they do.
 - Ⓐ Suspension bolt (3/8" or M10)
 - Ⓑ Ceiling surface
 - Ⓒ Nut (3/8" or M10)
 - Ⓓ Washer ② (with insulation)
 - Ⓔ Washer ①
 - Ⓕ (Install with insulation facing down)
 - Ⓖ Measurement to upper face of bracket
 - Check that the four corners are all level, using a spirit level or clear plastic tubing with water in it. (Fig. 2-8)
 - * Make sure that any slant in the unit after installation is less than 0.5 degrees (approx. 6 mm on the long dimension of the unit).

5. Tighten all the nuts. (Fig. 2-9)

- Ⓐ Suspension bolt (3/8" or M10)
- Ⓑ Clear plastic tubing
- Ⓒ Underside of bracket
- Ⓓ Secure front panel here.
- Ⓔ Make sure these surfaces are flush with each other (0 - 3 mm).

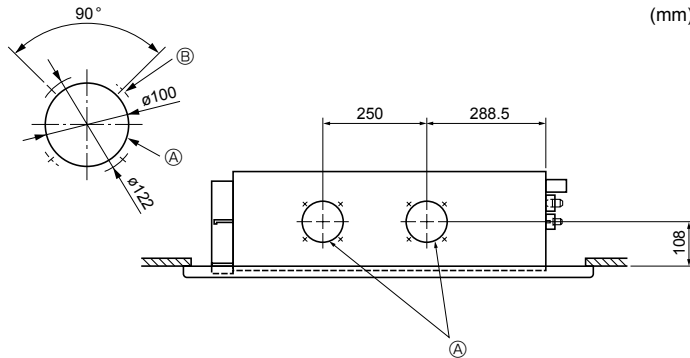


Fig. 2-10

- (mm) **2.5. Fresh air intake hole (Fig. 2-10)**
- At the time of installation, use the hole (knock out) located at the positions shown in following diagram, as and when required.
- Ⓐ Fresh air intake hole (Knock out)
 - Ⓑ 4-ø2.8 burring hole

Note:

Make sure that the fresh air intake is no more than 20% of the entire air intake (when the air flow speed is set to its highest setting).

⚠ Caution:

Linkage of duct fan and air conditioner.

If a duct fan is used, be sure to link it with the air conditioner when outside air is taken in.

Do not run just the duct fan. Otherwise, condensation may form.

3. Refrigerant pipe and drain pipe

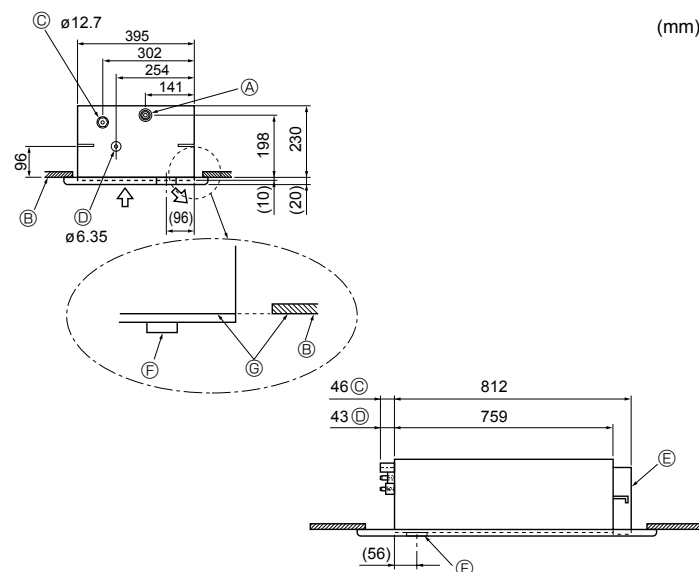


Fig. 3-1

3.1. Refrigerant and drainage piping locations

- Ⓐ Drain pipe (Use PVC pipe O.D.ø26)
- Ⓑ Ceiling panel (under side)
- Ⓒ Refrigerant pipe (gas)
- Ⓓ Refrigerant pipe (liquid)
- Ⓔ Electrical box
- Ⓕ Drain pan
- Ⓖ Make sure these surfaces are flush with each other.

3. Refrigerant pipe and drain pipe

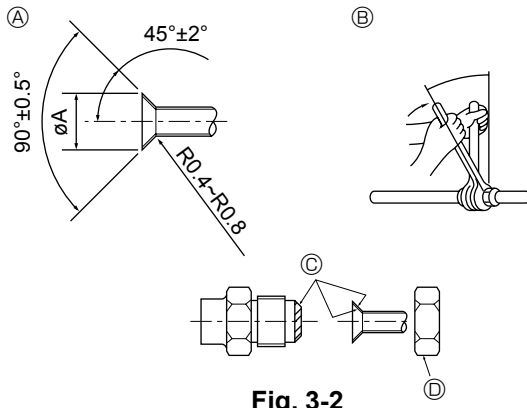


Fig. 3-2

3.2. Connecting pipes (Fig. 3-2)

- When commercially available copper pipes are used, wrap liquid and gas pipes with commercially available insulation materials (heat-resistant to 100 °C or more, thickness of 12 mm or more).
- The indoor parts of the drain pipe should be wrapped with polyethylene foam insulation materials (specific gravity of 0.03, thickness of 9 mm or more).
- Apply thin layer of refrigerant oil to pipe and joint seating surface before tightening flare nut.
- Use 2 wrenches to tighten piping connections.
- Use refrigerant piping insulation provided to insulate indoor unit connections. Insulate carefully.

Ⓐ Flare cutting dimensions

Copper pipe O.D. (mm)	Flare dimensions ØA dimensions (mm)
Ø6.35	8.7 - 9.1
Ø9.52	12.8 - 13.2
Ø12.7	16.2 - 16.6
Ø15.88	19.3 - 19.7
Ø19.05	23.6 - 24.0

Ⓑ Refrigerant pipe sizes & Flare nut tightening torque

	R407C or R22				R410A				Flare nut O.D.	
	Liquid pipe		Gas pipe		Liquid pipe		Gas pipe		Liquid pipe (mm)	Gas pipe (mm)
	Pipe size (mm)	Tightening torque (N.m)	Pipe size (mm)	Tightening torque (N.m)	Pipe size (mm)	Tightening torque (N.m)	Pipe size (mm)	Tightening torque (N.m)		
P20/25/32/40	ODØ6.35 (1/4")	14 - 18	ODØ12.7 (1/2")	49 - 61	ODØ6.35 (1/4")	14 - 18	ODØ12.7 (1/2")	49 - 61	17	26

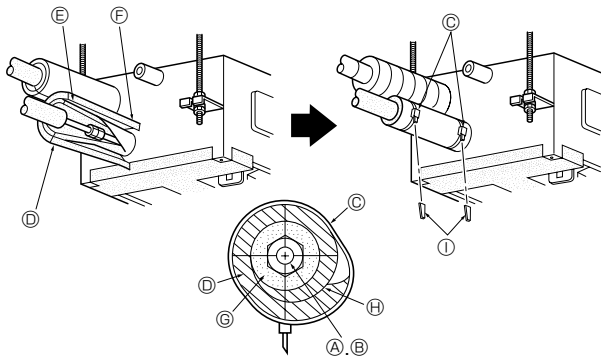


Fig. 3-3

- Ⓒ Apply refrigerating machine oil over the entire flare seat surface.
* Do not apply refrigerating machine oil to the screw portions. (This will make the flare nuts more apt to loosen.)
- Ⓓ Be certain to use the flare nuts that are attached to the main unit. (Use of commercially-available products may result in cracking.)

Installing procedures (Fig. 3-3)

1. Remove the flare nuts and caps from the indoor unit.
2. Flare-cut the liquid and gas pipes then apply refrigerating machine oil (to be locally procured) over the flare-cut seat surface.
3. Quickly connect the refrigerant piping.
* Remember to tighten the flare nuts with a double spanner.
4. Slide the supplied pipe cover (D) over the gas piping until it is pressed against the sheet metal inside the unit.
5. Slide the provided pipe cover (D) over the liquid piping until it is pressed against the sheet metal inside the unit.
6. Tighten the pipe cover (D) at the both ends (15 - 20 mm) with the supplied bands (E).
Ⓐ Gas piping
Ⓑ Liquid piping
Ⓒ Band (large) (E)
Ⓓ Pipe cover (D)
Ⓔ Turn the seam upward.
Ⓕ Press the pipe cover against the sheet metal.
Ⓖ Refrigerant piping heat insulating material
Ⓗ Wrap tightly.
Ⓘ Cut off excess length of band.

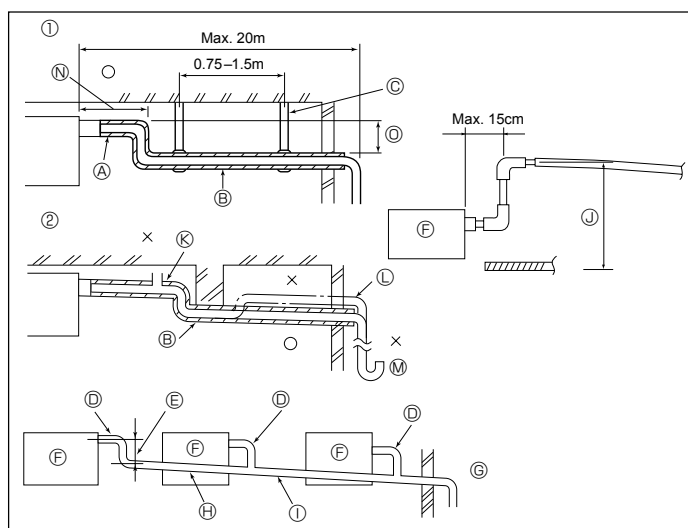


Fig. 3-4

3.3. Drain piping work (Fig. 3-4)

- Use O. D. Ø26mm PVC TUBE for drain piping and provide 1/100 or more downward slope.
- Be sure to connect the piping joints using adhesive of polyvinyl chloride family.
- Observe the figure for piping work.
- Use attached drain hose to change the pipe extraction direction.
 - Ⓛ Correct piping
 - Ⓜ Air bleeder
 - Ⓨ Wrong piping
 - Ⓩ Raised
 - ⓐ Insulation (9 mm or more)
 - ⓑ Downward slope (1/100 or more)
 - ⓓ Support metal
 - ⓔ Make as little as possible.
 - ⓕ Make as great as possible (approx. 10 cm).
- Grouped piping
 - ⓖ VP-20 (O. D. Ø26 PVC TUBE)
 - ⓗ Downward slope (1/100 or more)
 - Ⓢ Make it as large as possible.
 - Ⓣ O. D. Ø38 PVC TUBE for grouped piping (9 mm or more insulation)
 - Ⓤ Indoor unit
 - ⓖ Make the piping size large for grouped piping.
 - ⓗ Up to 50 cm

3. Refrigerant pipe and drain pipe

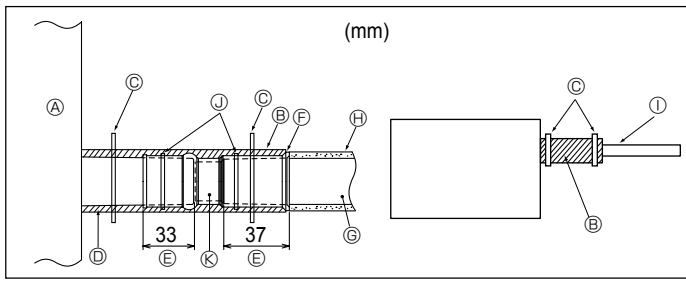


Fig. 3-5

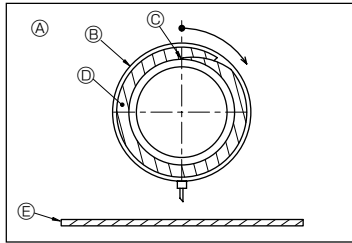


Fig. 3-6

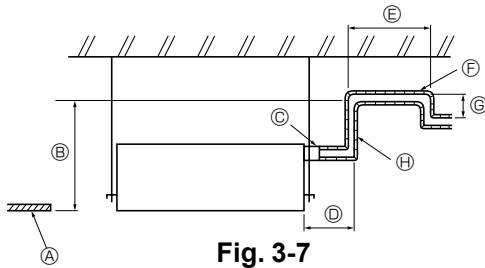


Fig. 3-7

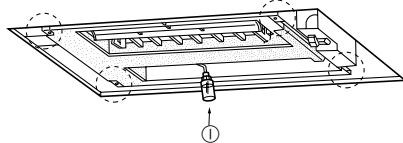


Fig. 3-8

1. Connect the drain socket (supplied with the unit) to the drain port. (Fig. 3-5)
(Fix the tube using PVC adhesive then secure it with a band.)
2. Install a locally purchased drain pipe (PVC pipe, O.D. ø26).
(Fix the pipe using PVC adhesive then secure it with a band.)
3. Insulate the pipe. (PVC pipe, O.D. ø26)
4. Check that drain flows smoothly.
5. Insulate the drain port and drain socket with insulating material ⑦, then secure the material with a band. (Both insulating material and band are supplied with the unit.) (Fig. 3-6)

[Fig.3-5]

- Ⓐ Unit
- Ⓑ Insulating material ⑦
- Ⓒ Band (large) ④
- Ⓓ Drain port (transparent)
- Ⓔ Insertion margin
- Ⓕ Matching
- Ⓖ Drain pipe (O.D. ø26 PVC TUBE)
- Ⓗ Insulating material (purchased locally)
- Ⓜ O.D. ø26 PVC TUBE (Slope 1/100 or more)
- Ⓝ Band (small) ④
- Ⓚ Drain socket

[Fig.3-6]

- Ⓐ Drain port sectional view
- Ⓑ Band (large) ④
- Ⓒ Insulating material wrapping starting position (Top side)
- Ⓓ Insulating material ⑦
- Ⓔ Ceiling panel

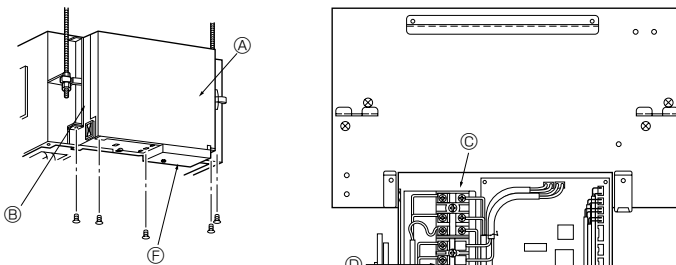
In cases of upward drainage (Fig. 3-7)

- The largest dimension possible for the vertical section at Ⓑ is 60 cm from the lower surface of the ceiling. Make this vertical section as short as possible.

Water drainage check (Fig. 3-8)

1. Fill the drainage pan with about 0.5 litres of water. (Do not pour water directly into the drain pump.)
 2. Make a test run of the unit (in Cooling mode).
 3. Check for water drainage at the transparent check window and the outlet of the drainage pipe.
 4. Stop the test run. (Do not forget to turn off the power.)
- Ⓐ Ceiling panel
 - Ⓑ Max. 60 cm
 - Ⓒ Position of drain outlet
 - Ⓓ Make as short as possible (Max. 15 cm).
 - Ⓔ Water bottle (procure locally)
 - Ⓕ Downward slope (1/100 or more)
 - Ⓖ Make as great as possible (Min. 10 cm).
 - Ⓗ Drainage pipe vertical section
 - Ⓜ Make as small as possible.

4. Electrical work



- Ⓐ Cover
- Ⓑ Electrical box
- Ⓒ Terminal block for power supply
- Ⓓ Terminal block for transmission cable
- Ⓔ Control board
- Ⓜ Address board
- Ⓝ Secure with the wiring clamp.
- Ⓚ Terminal block for MA Remote controller

Fig. 4-1

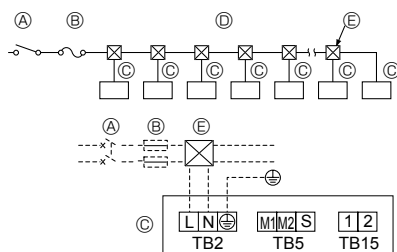


Fig. 4-2

4.1. Electric wiring (Fig. 4-1)

* Make sure all electrical wiring is complete before installing the cover panel.

1. Remove the cover from the address board (2 bolts).
2. Remove the cover from the electrical box (1 bolt).
3. Remove the bolts securing the electrical box and lower the box (2 bolts).
4. Insert the wires into the electrical box.
5. Connect the wires securely to the terminal block.

* Be sure to make the various wires long enough so the box may be lowered from the unit during servicing.

6. Secure the wires with the wiring clamp on the side of the electrical box.
7. Replace the parts you have removed to their original locations.

4.2. Power supply wiring

- Install an earth longer than other cables.
 - Power supply codes of appliance shall not be lighter than design 60245 IEC 53 or 60227 IEC 53.
 - A switch with at least 3 mm contact separation in each pole shall be provided by the air conditioner installation.
- Power cable size : more than 1.5mm² (3-core)

► Use earth leakage breaker (NV).

For breaker, means shall be provided to ensure disconnection of all active phase conductors of the supply.

[Fig. 4-2]

- Ⓐ Switch 16 A
- Ⓑ Overcurrent protection 16 A
- Ⓒ Indoor unit
- Ⓓ Total operating current be less than 16 A
- Ⓔ Pull box

4. Electrical work

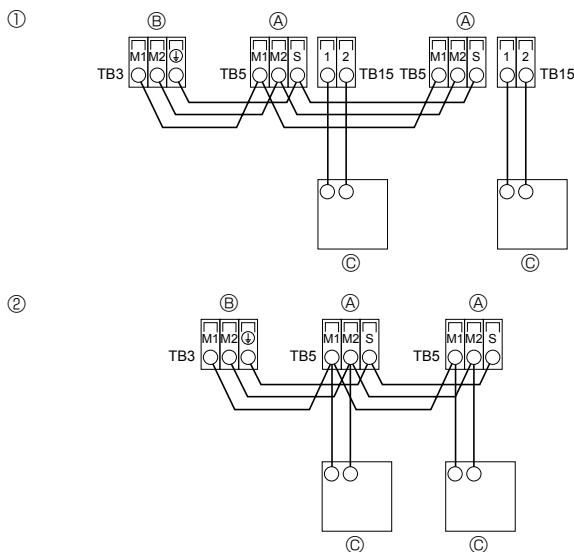


Fig. 4-3

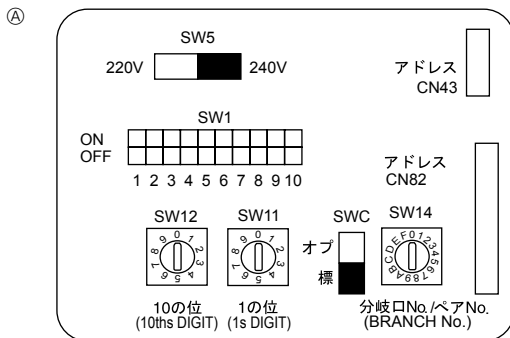


Fig. 4-4

4.3. Types of control cables

1. Wiring transmission cables

Types of transmission cable	Shielding wire CVVS or CPEVS
Cable diameter	More than 1.25 mm ²
Length	Less than 200m

2. M-NET Remote control cables

Types of remote control cable	Shielding wire MVVS
Cable diameter	0.5 to 1.25 mm ²
Length	Add any portion in excess of 10m to within the longest allowable transmission cable length 200m

3. MA Remote control cables

Types of remote control cable	2-core cable (unshielded)
Cable diameter	0.3 to 1.25 mm ²
Length	Less than 200m

4.4. Connecting remote controller, indoor and outdoor transmission cables (Fig. 4-3)

- Connect indoor unit TB5 and outdoor unit TB3. (Non-polarized 2-wire)
The "S" on indoor unit TB5 is a shielding wire connection. For specifications about the connecting cables, refer to the outdoor unit installation manual.
- Install a remote controller following the manual supplied with the remote controller.
- Connect the remote controller's transmission cable within 10 m using a 0.75 mm² core cable. If the distance is more than 10 m, use a 1.25 mm² junction cable.

① MA Remote controller

- Connect the "1" and "2" on indoor unit TB15 to a MA remote controller. (Non-polarized 2-wire)
- DC 9 to 13 V between 1 and 2 (MA remote controller)

② M-NET Remote controller

- Connect the "M1" and "M2" on indoor unit TB5 to a M-NET remote controller. (Non-polarized 2-wire)
- DC 24 to 30 V between M1 and M2 (M-NET remote controller)

- ④ Terminal block for indoor transmission cable
- ⑤ Terminal block for outdoor transmission cable
- ⑥ Remote controller

4.5. Setting addresses (Fig. 4-4)

(Be sure to operate with the main power turned OFF.)

- There are 2 types of rotary switch setting available: setting addresses 1 to 9 and over 10, and setting branch numbers.

① How to set addresses

Example: If Address is "3", remain SW12 (for over 10) at "0", and match SW11 (for 1 to 9) with "3".

② How to set branch numbers SW14 (Series R2 only)

Match the indoor unit's refrigerant pipe with the BC controller's end connection number.

Remain other than series R2 at "0".

- The rotary switches are all set to "0" when shipped from the factory. These switches can be used to set unit addresses and branch numbers at will.
- The determination of indoor unit addresses varies with the system at site. Set them referring to the Data Book.

Note:

- Please set the switch SW5 according to the power supply voltage.
- Set SW5 to 240 V side when the power supply is 230 and 240 volts.
- When the power supply is 220 volts, set SW5 to 220 V side.

④ Address board

4.6. Sensing room temperature with the built-in sensor in a remote controller (Fig. 4-4)

If you want to sense room temperature with the built-in sensor in a remote controller, set SW1-1 on the control board to "ON". The setting of SW1-7 and SW1-8 as necessary also makes it possible to adjust the airflow at a time when the heating thermometer is OFF.

5. Installing the grille

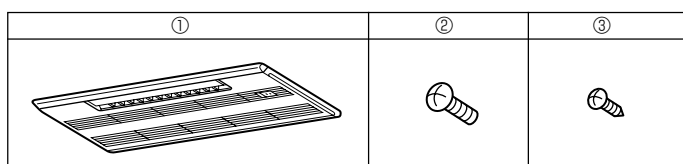


Fig. 5-1

5.1. Checking the contents (Fig. 5-1)

- This kit contains the following parts.

	Accessory name	Q'ty	Remark
①	Grille	1	
②	Screw	6	M5 × 0.8 × 16
③	Screw	1	4 × 16

5. Installing the grille

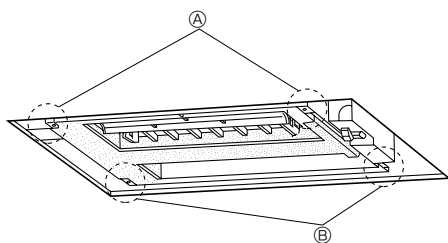


Fig. 5-2

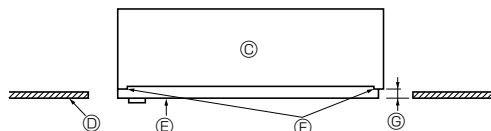


Fig. 5-3

- Ⓐ Points for securing the grille
- Ⓑ Points for securing the grille
- Ⓒ Indoor unit
- Ⓓ Ceiling surface
- Ⓔ Drainage pan
- Ⓕ Places for securing front grille
- Ⓖ Make sure these surfaces are flush with each other (0-3 mm).

5.2. Checks before setting in place (Fig. 5-2, 3)

- Before installing the front panel, make sure the indoor unit is square with the ceiling opening (or parallel to the angle between the wall and the ceiling).
- Check that the four points where the front panel will be secured are in contact with the ceiling surface.
- Check that the insulation for the refrigerant pipes, drainage pipes, etc. is in place and that wiring connections and arrangements are complete.

5.3. Installing the grille (Fig. 5-4)

- Open the intake grille by pressing on the place marked Push, and remove the air filter.
- Remove the screw cover in the middle of the blower.
- Open the upper and lower flaps on the indoor unit completely.
- Hook the temporary holding tabs on the front panel to the hooks on the indoor unit.

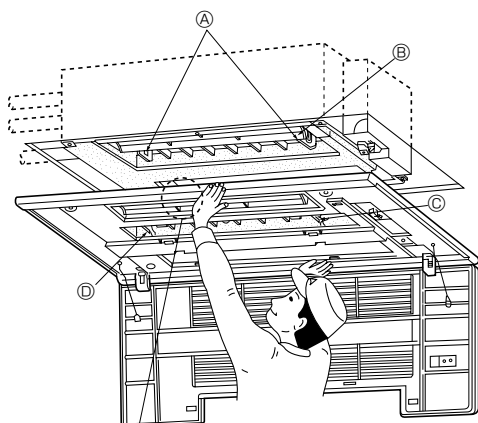
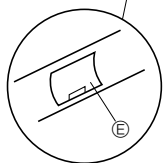


Fig. 5-4



- Ⓐ Hooks
- Ⓑ Open the upper and lower flaps completely.
- Ⓒ Temporary holding tab
- Ⓓ Temporary holding tab
- Ⓔ Screw cover

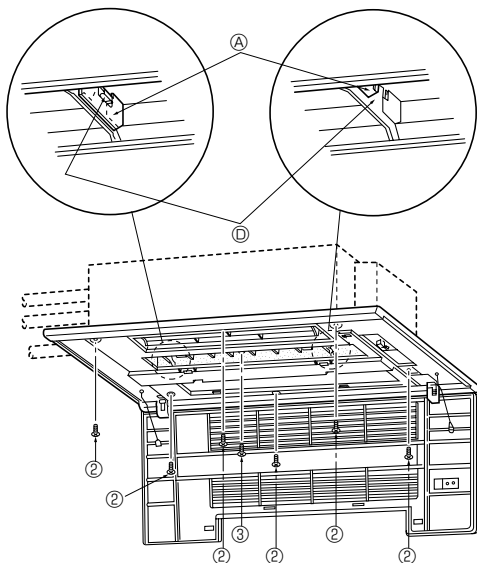


Fig. 5-5

- Adjust the front panel so that it fits properly in the angle between the ceiling and the wall, and install the securing bolts ② (supplied with this grille) in their four places at left and right, leaving them slightly loose. (Fig. 5-5)
- Next tighten the securing bolts ② and securing screws ③ in the centre three places.
- Finally tighten the securing bolts ② in the four places at left and right.
- At this point, make sure there are no gaps between the indoor unit and the front panel, and between the front panel and the ceiling surface. If there are gaps, the wind may come in and it may cause water to drip (Fig. 5-6).
- * Tighten the securing bolts ② and securing screws ③ completely.
- Replace the air filter and screw cover, and press the intake grille on the place marked Push until you hear it snap into place.

[Fig. 5-5]

- Ⓐ Hooks
- Ⓓ Temporary securing tab

5. Installing the grille

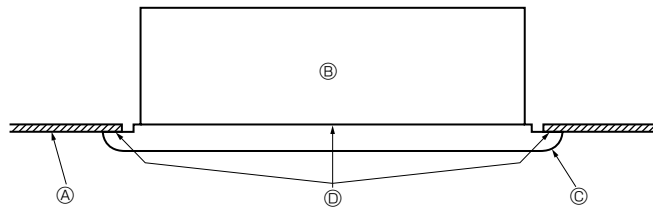


Fig. 5-6

5.4. Checks after installing (Fig. 5-6)

- Check that there are no gaps between the indoor unit and the front panel, between the front panel and the ceiling surface. If there are gaps, the wind may come in and condensation may result.
- Check that the air filter is in place.
 - Ⓐ Ceiling surface
 - Ⓑ Indoor unit
 - Ⓒ Grille
 - Ⓓ No gaps here

6. Test run

6.1. Before test run

- ▶ After completing installation and the wiring and piping of the indoor and outdoor units, check for refrigerant leakage, looseness in the power supply or control wiring, wrong polarity, and no disconnection of 1 phase in the supply.
- ▶ Use a 500-volt megohmmeter to check that the resistance between the power supply terminals and ground is at least 1.0 MΩ.

- ▶ Do not carry out this test on the control wiring (low voltage circuit) terminals.

⚠ Warning:

Do not use the air conditioner if the insulation resistance is less than 1.0 MΩ.

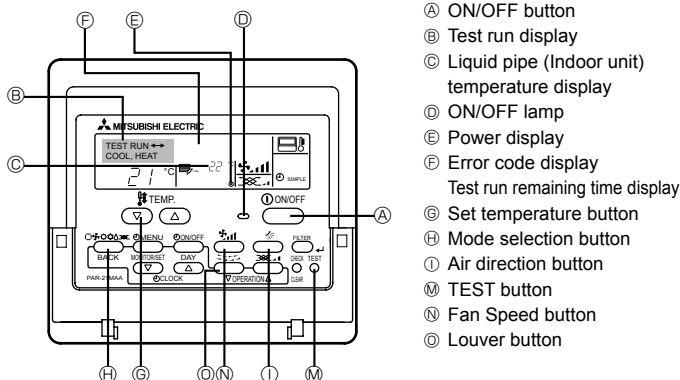


Fig. 6-1

6.2. Test run

Using wired remote controller (Fig. 6-1)

- ① Turn on the power at least 12 hours before the test run.
- ② Press the [TEST] button twice. ➡ "TEST RUN" liquid crystal display
- ③ Press the [Mode selection] button and switch to the cooling (or heating) mode. ➡ Make sure that cold (or warm) wind is blown out.
- ④ Press the [Fan speed] button. ➡ Make sure that the wind speed is switched.
- ⑤ Press the [Air direction button] or [Louver button]. ➡ Check operation of the vane or louver.
- ⑥ Check operation of the outdoor unit fan.
- ⑦ Release test run by pressing the [ON/OFF] button. ➡ Stop
- ⑧ Register a telephone number.

The telephone number of the repair shop, sales office, etc., to contact if an error occurs can be registered in the remote controller. The telephone number will be displayed when an error occurs. For registration procedures, refer to the operation manual for the indoor unit.

Note:

- If an error code is displayed on the remote controller or if the air conditioner does not operate properly, refer to the outdoor unit installation manual or other technical materials.
- The OFF timer is set for the test run to automatically stop after 2 hours.
- During the test run, the time remaining is shown in the time display.
- During the test run, the temperature of the indoor unit refrigerant pipes is shown in the room temperature display of the remote controller.
- When the VANE or LOUVER button is pressed, the message "NOT AVAILABLE" may appear on the remote controller display depending on the indoor unit model, but this is not a malfunction.

Содержание

1. Меры предосторожности.....	74	4. Электрические работы	78
2. Установка внутреннего прибора.....	74	5. Установка вентиляционной решетки.....	80
3. Труба хладагента и дренажная труба.....	76	6. Выполнение испытания.....	81

1. Меры предосторожности

- ▶ До установки прибора убедитесь, что Вы прочли все “Меры предосторожности”.
- ▶ Пожалуйста, перед подключением данного оборудования к системе электропитания, сообщите об этом своему поставщику электропитания или получите его разрешение.

⚠ Предупреждение:

Описывает меры предосторожности, необходимые для предотвращения получения травмы или гибели пользователя.

⚠ Осторожно:

Описывает меры предосторожности, необходимые для предотвращения повреждения прибора.

После окончания установочных работ проинструктируйте пользователя относительно правил эксплуатации и обслуживания аппарата, а также ознакомьте с разделом “Мера предосторожности” в соответствии с информацией, приведенной в Руководстве по использованию аппарата, и выполните тестовый прогон аппарата для того, чтобы убедиться, что он работает нормально. Обязательно передайте пользователю на хранение экземпляры Руководства по установке и Руководства по эксплуатации. Эти Руководства должны быть переданы и последующим пользователям данного прибора.

⚠ Предупреждение:

- Обратитесь к дилеру или квалифицированному технику для выполнения установки кондиционера воздуха.
- Устанавливайте прибор в месте, способном выдержать его вес.
- Используйте указанные кабели для электропроводки.
- Используйте только те дополнительные принадлежности, на которые имеется разрешение от Mitsubishi Electric; для их установки обращайтесь к дилеру или уполномоченному специалисту по установке.
- Не прикасайтесь к лопастям теплообменника.
- Устанавливайте кондиционер согласно инструкциям, приведенным в данном Руководстве по установке.

⚠ Осторожно:

- При использовании хладагента R410A или R407C следует заменить установленные ранее трубы хладагента.
- Используйте эфирное масло или алкилбензин (в небольших количествах) в качестве охлаждающего масла для смазывания раструбных и фланцевых трубных соединений при использовании хладагента R410A или R407C.
- Не используйте кондиционер воздуха в местах содержания продуктов, домашних животных, растений, точных приборов или предметов искусства.
- Не используйте кондиционер воздуха в особых условиях.

- ⊘ : Указывает действие, которое следует избегать.
- ⚠ : Указывает на важную инструкцию.
- ⚡ : Указывает, что данная часть должна быть заземлена.
- ⚠ : Указывает на необходимость проявлять осторожность по отношению к вращающимся частям.
- ⚡ : Указывает на необходимость отключения главного выключателя перед проведением техобслуживания.
- ⚠ : Опасайтесь электрошока.
- ⚠ : Опасайтесь горячих поверхностей.
- ⚠ EHV : При проведении техобслуживания отключите электропитание как внутреннего, так и наружного прибора.

⚠ Предупреждение:

Внимательно прочтите текст на этикетках главного прибора.

- Все электроработы должны выполняться квалифицированным электриком, имеющим соответствующую лицензию, в соответствии с местными нормативами.
- Если кондиционер установлен в небольшом помещении, необходимо принять меры для предотвращения концентрации хладагента свыше безопасных пределов в случае утечки хладагента.
- Вырубленные грани отпрессованных деталей могут нанести травмы - порезы и т.д. Просим установщиков надевать защитную одежду, например, перчатки и т.д.

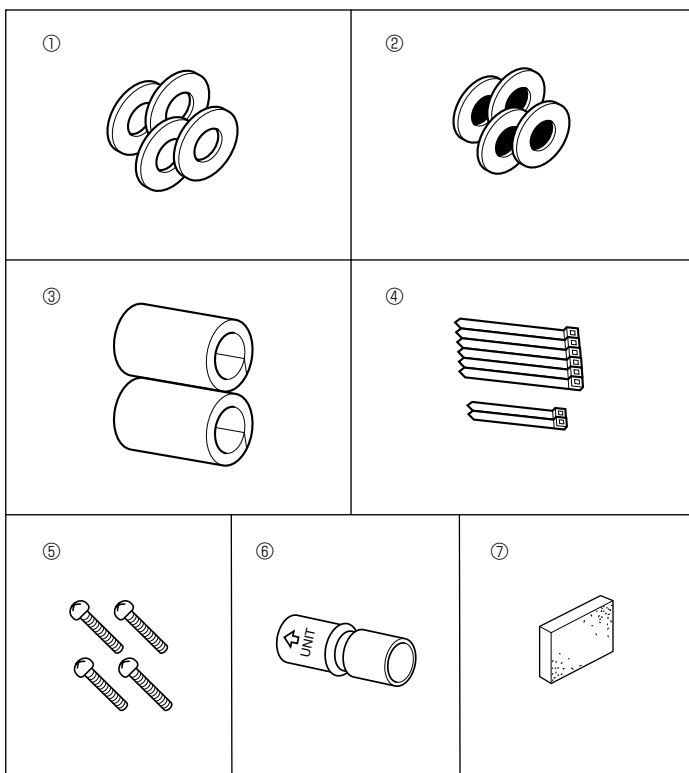
- Заземлите прибор.
- Установите прерыватель цепи, если требуется.
- Используйте сетевой кабель достаточной мощности напряжения.
- Используйте прерыватель цепи и предохранитель указанной мощности.
- Не прикасайтесь к выключателям мокрыми руками.
- Не прикасайтесь к трубам хладагента во время работы и сразу после выключения прибора.
- Не используйте кондиционер воздуха, если его панели и крышки сняты.
- Не отключайте питание немедленно после выключения прибора.

2. Установка внутреннего прибора

2.1. Проверьте наличие дополнительных принадлежностей к внутреннему прибору (Рис. 2-1)

Внутренний прибор должен быть поставлен с перечисленными ниже запасными частями и приспособлениями (они помещаются в воздухозаборном устройстве воздухозаборной решетки).

	Название приспособления	Количество
①	Прокладка	4 шт.
②	Прокладка (с изоляцией)	4 шт.
③	Кожух трубы	2 шт.
④	Лента	большая : 6 шт. , малая : 2 шт.
⑤	Винт	4 шт. M5 × 0,8 × 30
⑥	Соединительная муфта для дренажа	1 шт. С отметкой “UNIT”
⑦	Изоляция	1 шт.



2. Установка внутреннего прибора

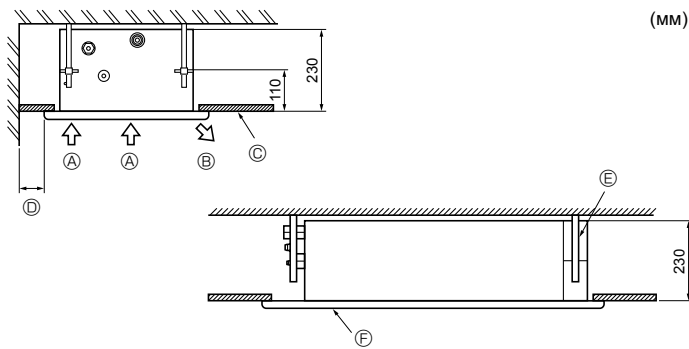


Рис. 2-2

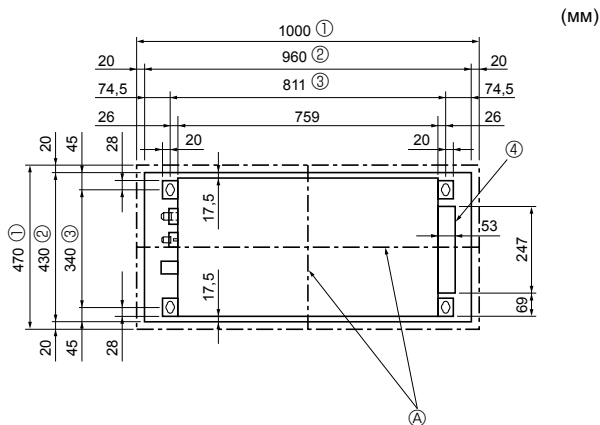


Рис. 2-3

2.2. Сервисное пространство (Рис. 2-2)

- Размер потолочного отверстия можно регулировать в пределах, указанных на диаграмме, таким образом, чтобы отцентровать главный прибор в потолочном отверстии, обеспечив одинаковые зазоры по всем соответствующим противоположным сторонам.
- А Воздухозабор
- Б Выход воздуха
- С Потолочная панель
- Д Мин. 200 мм
- Е Подвесные болты W3/8 или M10
- Ф Решетка

2.3. Расположение отверстия в потолке и навесных болтов (Рис. 2-3)

- Проделайте отверстие в потолке размером 430 мм x 960 мм. Это отверстие будет служить контрольным окном и потребуется в дальнейшем при проведении работ по обслуживанию прибора.
- Если приведенные габариты не соблюдены в точности, при установке воздухозаборной решетки возможно появление зазоров между решеткой и внутренним прибором. Это в результате может привести к капанию жидкости и другим проблемам.
- Обдумывая месторасположение отверстия, принимайте во внимание пространство вокруг потолка и проводите измерения с определенным допуском.
- Типы потолков и строительных конструкций различны. Поэтому рекомендуется консультация со специалистом по строительству и отделке.

- А Центр отверстия в потолке должен находиться на одной линии с центром внутреннего прибора.
- 1 Внешняя сторона решетки
- 2 Отверстие в потолке
- 3 Угол наклона болта
- 4 Электрокоробка

- С помощью установочного шаблона (верх упаковки) и калибра (входит в комплект поставки в качестве дополнительной принадлежности с воздухозаборной решеткой) сделайте отверстие в потолке таким образом, чтобы основной прибор можно было установить в соответствии с диаграммой. (Метод использования шаблона и калибра показан.)
- Используйте навесные болты M10 (3/8").
- * Навесные болты приобретаются на месте.
- После подвешивания внутреннего прибора, Вам потребуется провести трубо- и электропроводку в надпотолочном пространстве. После определения расположения и направления трубопровода, установите трубы хладагента и дренажные трубы, электропроводку прибора дистанционного управления, а также соединительные провода между внутренним и внешним приборами в требуемом месте перед повешиванием внутреннего прибора. Это необходимо сделать особенно в том случае, если потолок уже на месте.

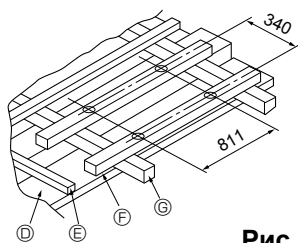


Рис. 2-4

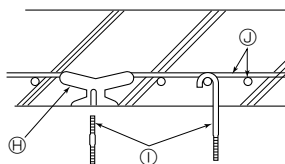


Рис. 2-5

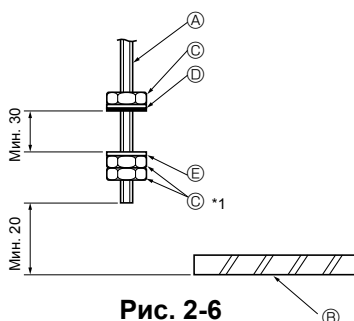


Рис. 2-6

① Деревянные конструкции (Рис. 2-4)

- В качестве укрепления используйте анкерные балки (одноэтажные дома) или балки перекрытия (двухэтажные дома).
- Деревянные балки для подвешивания кондиционера должны быть прочными и их боковые стороны должны быть длиной не менее 6 см, если балки разделяются не более, чем 90 см; их боковые стороны должны быть длиной не менее 9 см, если балки разделяются расстоянием 180 см. Размер навесных болтов должен быть $\varnothing 10$ мм (3/8"). (Болты не поставляются вместе с прибором).
- При подвешивании внутреннего прибора пользуйтесь каналами, вентиляционными каналами и иными деталями, приобретаемыми на месте.

② Железобетонные конструкции (Рис. 2-5)

- Закрепляйте навесные болты, используя указанный метод, или используйте стальные или деревянные подвесные крепления и т.д. для установки навесных болтов.

- Д Потолочная панель
- Е Стропило
- Ф Балка
- Г Балка крыши
- И Используйте вставки с рейтингом 100-150 кг каждая (приобретаются на месте).
- 1 Навесные болты M10 (3/8") (приобретаются на месте)
- 2 Стальной стержень для укрепления
- К Канал С
- Л Подвесная скоба канала
- М Подвесной болт M10

2.4. Порядок подвешивания прибора (Рис. 2-6)

Болты 3/8" или M10 следует приобрести на месте.

- Длина выступа болта из поверхности потолка должна быть отрегулирована заранее.
- *1. При использовании дополнительной верхней гайки при подвешивании прибора, в некоторых случаях ее установка может потребоваться в дальнейшем.
- А Навесной болт
- Б Потолочная панель
- С Гайка
- Д Прокладка (с изоляцией) ②
- Е Прокладка (без изоляции) ①

2. Установка внутреннего прибора

1. 2. 3.

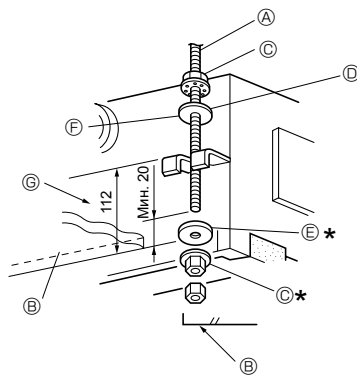


Рис. 2-7

4.

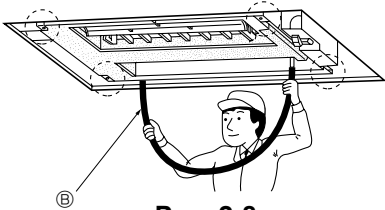


Рис. 2-8

5.

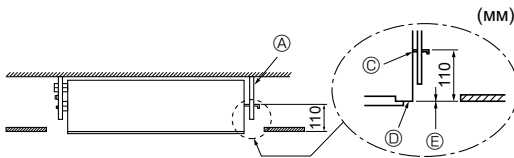


Рис. 2-9

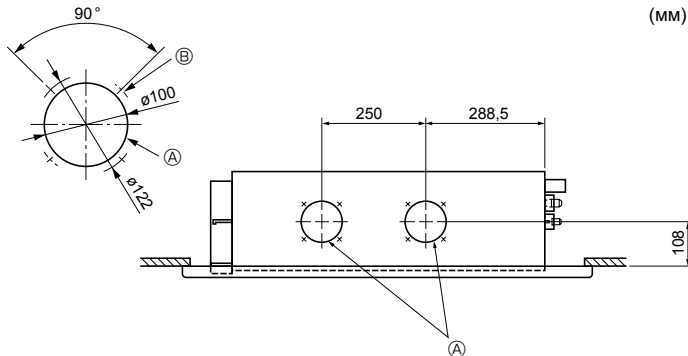


Рис. 2-10

(мм)

Проверьте шаг резьбы подвесного болта. (340 мм × 811 мм)

1. Заранее насадите шайбы ① ② (входят в комплект) и соответствующие гайки (приобретаются на месте) на подвесной болт. (Рис. 2-7)

* Выполняйте эту операцию в следующей последовательности (начиная сверху): гайка, шайба с изоляцией ②, шайба без изоляции ①, 2 гайки.

* Расположите шайбу с изоляцией ② таким образом, чтобы изоляция была обращена вниз, как изображено на рисунке.

2. Поднимите прибор и установите его на место, правильно отцентрировав по отношению к подвесному болту. Пропустите скобу между шайбами ① и ②, которые уже на месте, и закрепите гайки. Повторите данную операцию в четырех точках.

* Убедитесь в том, что подвесной болт выступает на расстояние не менее 20 мм от поверхности потолка. В противном случае Вам не удастся установить панель крышки (продается отдельно).

3. Если длинное отверстие в скобе и отверстие в потолке не отцентрированы, отрегулируйте их положение, чтобы они были отцентрированы.

- А Подвесной болт (3/8" или M10)
- Б Поверхность потолка
- В Прозрачные пластиковые трубы
- Г Гайка (3/8" или M10)
- Д Шайба с изоляцией
- Е Шайба без изоляции
- Ж Измерение до верхней грани скобы

4. Убедитесь в том, что все четыре угла располагаются на одном уровне, для этого воспользуйтесь строительным уровнем или прозрачной пластиковой трубкой, заполненной водой. (Рис. 2-8)

* Убедитесь в том, что угол перекаса прибора после установки не превышает 0,5 градуса (приблизительно 6 мм по габариту длины прибора).

5. Затяните все гайки. (Рис. 2-9)

- А Подвесной болт (3/8" или M10)
- Б Поверхность потолка
- В Прозрачные пластиковые трубы
- Г Нижняя поверхность скобы
- Д Закрепить панель здесь.
- Е Данные поверхности устанавливаются заподлицо (0 - 3 мм).

2.5. Отверстие для входа свежего воздуха (Рис. 2-10)

Во время установки по необходимости используйте отверстие (пробивное), расположенное в местах, показанных на приведенной диаграмме.

- А Отверстие для входа свежего воздуха (Пробивается)
- Б 4-ø2,8 отверстие

Примечание:

Убедитесь в том, что ввод свежего воздуха составляет не более 20% от общего воздухозабора (при самой высокой установке скорости воздушного потока).

⚠ Осторожно:

Соединение канала вентилятора и кондиционера воздуха.

При использовании вентиляционного канала обязательно соедините его с кондиционером воздуха на вводе наружного воздуха. Не ограничивайтесь одной только проводкой вентиляционного канала. В противном случае возможно образование конденсации.

3. Труба хладагента и дренажная труба

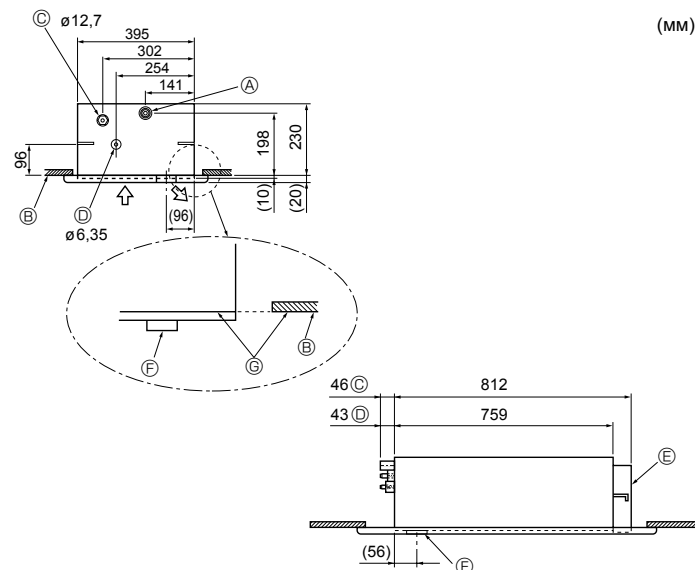


Рис. 3-1

(мм)

3.1. Расположение труб хладагента и дренажных труб

- А Дренажная труба (Используйте Труба ПВХ О.Д. ø26)
- Б Потолочная панель (нижняя поверхность)
- В Труба хладагента (газ)
- Г Труба хладагента (жидкость)
- Д Электрокоробка
- Е Дренажный порт
- Ж Убедитесь в том, что данные поверхности установлены заподлицо

3. Труба хладагента и дренажная труба

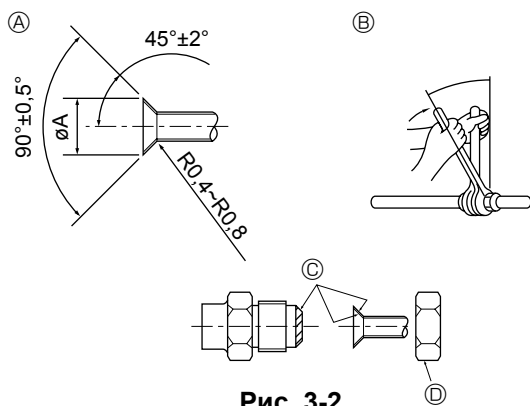


Рис. 3-2

3.2. Соединение труб (Рис. 3-2)

- При использовании медных труб, имеющих в продаже, оберните трубы для жидкости и газа имеющимися в продаже изоляционными материалами (с теплозащитой от 100 °C или выше, толщиной не менее 12 мм).
- Внутренняя часть дренажной трубы должна быть обернута в пенополиэтиленовый изолирующий материал (удельный вес 0,03; толщина 9 мм или более).
- Нанесите тонкий слой масла хладагента на контактную поверхность труб и соединений перед тем, как затягивать гайку с фланцем.
- Для затягивания трубных соединений используйте два гаечных ключа.
- Используйте прилагаемое трубное изоляционное покрытие для изоляции соединений внутреннего блока. Тщательно крепите изоляцию.

Ⓐ Раструбный стык - размеры

Медная труба O.D. (мм)	Размеры раструба, диаметр A (мм)
ø6,35	8,7 - 9,1
ø9,52	12,8 - 13,2
ø12,7	16,2 - 16,6
ø15,88	19,3 - 19,7
ø19,05	23,6 - 24,0

Ⓑ Размеры труб хладагента и крутящий момент конусной гайки.

	R407C или R22				R410A				Гайка раструбного стыка O.D.	
	Труба для жидкости		Труба для газа		Труба для жидкости		Труба для газа		Труба для жидкости (мм)	Труба для газа (мм)
	Размер трубы (мм)	Момент затяжки (Н·м)	Размер трубы (мм)	Момент затяжки (Н·м)	Размер трубы (мм)	Момент затяжки (Н·м)	Размер трубы (мм)	Момент затяжки (Н·м)		
P20/25/32/40	ODø6,35 (1/4")	14 - 18	ODø12,7 (1/2")	49 - 61	ODø6,35 (1/4")	14 - 18	ODø12,7 (1/2")	49 - 61	17	26

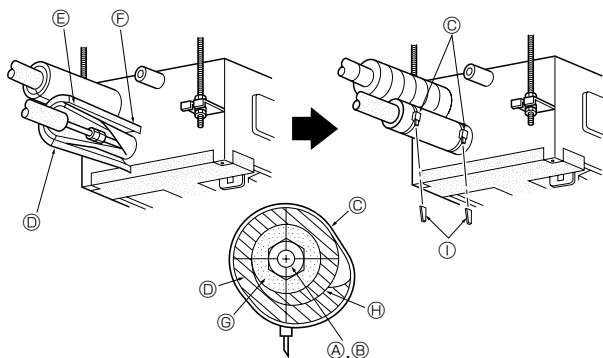


Рис. 3-3

Ⓒ Нанесите машинное масло охлаждения на всю поверхность области присоединения муфты.

* Запрещается наносить холодильное масло на места установки винтов. (Это повысит риск ослабления конусных гаек.)

Ⓓ Обязательно используйте конусные гайки, закрепленные на главном блоке. (При использовании гаек другого типа, имеющихся в продаже, могут появиться трещины.)

Порядок установки (Рис. 3-3)

1. Снимите гайки с буртиком и крышки с внутреннего прибора.
2. Нарезьте трубы для жидкости и газа с раструбом, затем используйте охлаждающее машинное масло (приобретается на месте) на поверхности седла, вырезанного раструбом.
3. Быстро подсоедините трубу охлаждения.
 - * Не забудьте закрутить гайки с буртиком двойным гаечным ключом.
4. Наденьте поставленный кожух трубы ③ на трубу газа до тех пор, пока он не будет плотно прижат к листовому металлу внутри прибора.
5. Наденьте поставленный кожух трубы ③ на трубу жидкости до тех пор, пока он не будет плотно прижат к листовому металлу внутри прибора.
6. Закрепите кожух трубы ③ с обоих концов (15-20 мм) поставленными лентами ④.
 - Ⓐ Газовая труба
 - Ⓑ Труба для жидкости
 - Ⓒ Лента (большая)
 - Ⓓ Кожух трубы ③
 - Ⓔ Поверните швом вверх.
 - Ⓕ Прижмите кожух трубы к листовому металлу.
 - Ⓖ Теплоизоляционный материал трубы хладагента
 - Ⓗ Оборачивайте плотно.
 - Ⓘ Отрежьте остаток ленты.

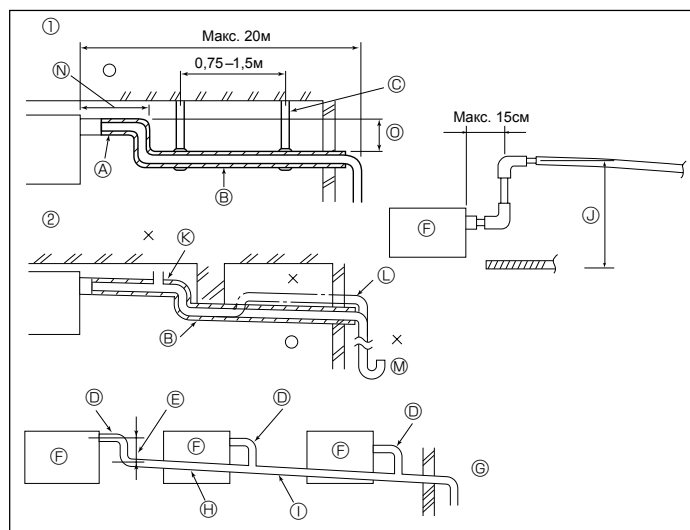


Рис. 3-4

3.3. Дренажные трубы (Рис. 3-4)

- Используйте трубы O.D. ø26мм PVC TUBE для дренажа, при этом обеспечьте наклон 1/100 или более.
- Для соединения труб используйте клей семейства ПВХ.
- Следуйте схематическому рисунку при подсоединении труб.
- Для изменения направления труб дренажа используйте входящий в комплект дренажный шланг.
 - ① Правильное соединение труб
 - ② Неправильное соединение труб
 - ⓐ Изоляция (9 мм или больше)
 - ⓑ Наклон вниз (1/100 или больше)
 - ⓒ Поддерживающий металл
 - ⓓ Выпуск воздуха
 - ⓔ Поднятие
 - ⓖ Ловушка запахов
 - ⓗ Как можно меньше.
 - ⓓ Как можно больше (приблиз. 10 см).

Сгруппированные трубы

- ⓔ Труба ПВХ VP-20 (O. D. ø26 PVC TUBE)
- ⓕ Сделайте ее как можно большей.
- ⓖ Внутренний прибор
- ⓗ Устанавливайте трубы большого размера для сгруппированных труб
- ⓓ Наклон вниз (1/100 или больше)
- ⓔ O. D. ø38 PVC TUBE для сгруппированных труб (9 мм изоляция или больше)
- ⓖ До 50 см

3. Труба хладагента и дренажная труба

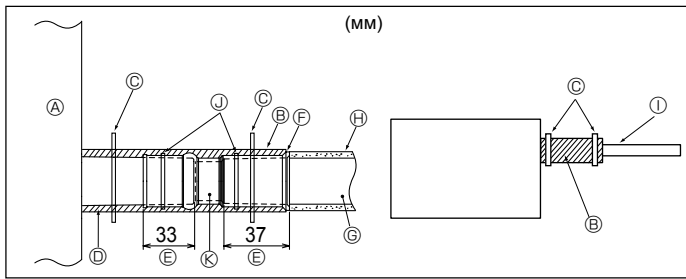


Рис. 3-5

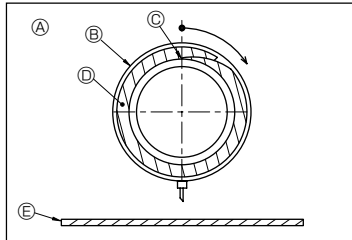


Рис. 3-6

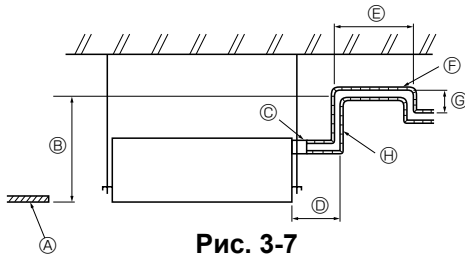


Рис. 3-7

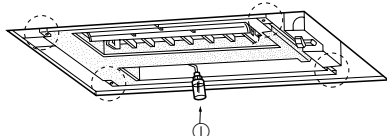


Рис. 3-8

1. Подсоедините соединительную муфту для дренажа (входит в комплект поставки прибора) к дренажному порту. (Рис. 3-5)
(Закрепите трубу с помощью клея ПВХ, а затем с помощью ленты.)
2. Установите дренажные трубы (закупаются на месте). (Трубы из ПВХ, O.D. $\varnothing 26$.)
(Закрепите трубу с помощью клея ПВХ, а затем с помощью ленты.)
3. Оберните изоляцию вокруг труб. (Трубы из ПВХ, O.D. $\varnothing 26$ и гнездо)
4. Проверьте дренаживание.
5. Изолируйте дренажный порт и соединительную муфту для дренажа изоляционным материалом ⑦, затем закрепите материал лентой. (Изоляция и лента входят в комплект прибора.) (Рис. 3-6)

[Рис. 3-5]

- А Прибор
- В Изоляция ⑦
- С Лента (большая) ④
- Д Дренажный порт (неподготовленный)
- Е Запас
- Ф Соответствие
- Г Дренажная труба (Трубы из ПВХ, O.D. $\varnothing 26$)
- Н Изоляция (приобретается на месте)
- И Трубы из ПВХ, O.D. $\varnothing 26$ (Наклон 1/100 или более)
- У Лента (малая) ④
- К Соединительная муфта для дренажа

[Рис. 3-6]

- А Секционные мнению дренажный порт
- В Лента (большая) ④
- С Оберточная стартовая позиция изоляционным (Топ стороне)
- Д Изоляция ⑦
- Е Потолочная панель

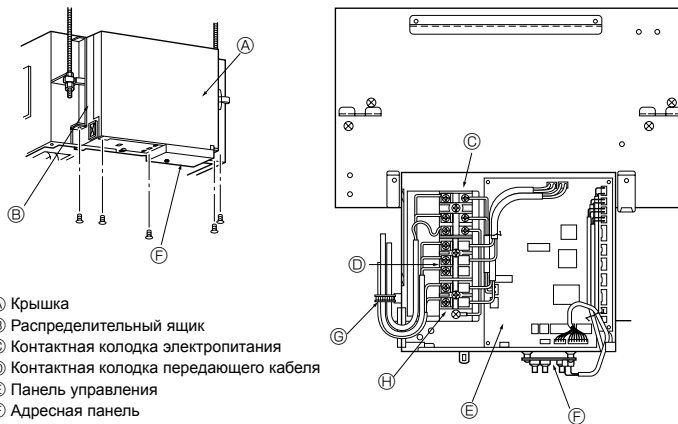
В случаях, когда дренажные трубы направлены вверх (Рис. 3-7)

- Максимально допустимый размер вертикального отрезка в ⑥ составляет 60 см от нижней поверхности потолка. Данный вертикальный отрезок должен быть максимально коротким.

Проверка дренажного стока (Рис. 3-8)

1. Залейте приблизительно 0,5 л воды в дренажный лоток. (Не заливайте воду непосредственно в дренажный насос.)
 2. Проведите тестовый запуск прибора (в режиме Охлаждения).
 3. Проконтролируйте водосток через прозрачное контрольное окно, а также на выходе из дренажной трубы.
 4. Остановите тестовый запуск. (Не забудьте отключить электропитание.)
- А Потолочная панель
 - В Макс. 60 см
 - С Положение дренажного отверстия
 - Д Как можно короче (макс. 15 см).
 - Е Как можно меньше.
 - Ф Наклон вниз (1/100 или больше)
 - Г Как можно больше (Мин. 10 см).
 - Н Вертикальный отрезок дренажной трубы
 - И Фляга с водой (приобретается на месте)

4. Электрические работы



- А Крышка
- В Распределительный ящик
- С Контактная колодка электропитания
- Д Контактная колодка передающего кабеля
- Е Панель управления
- Ф Адресная панель
- Г Крепление зажимом для провода.
- Н Контактная колодка для устройства дистанционного управления MA

Рис. 4-1

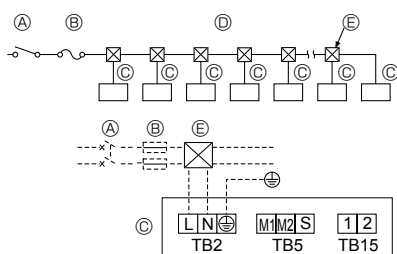


Рис. 4-2

4.1. Электропроводка (Рис. 4-1)

- * Убедитесь, что электропроводка проведена полностью перед тем, как устанавливать крышку.

1. Снимите крышку с адресной платы (2 болта).
2. Снимите крышку с электрокоробки (1 болт).
3. Удалите болты крепления электрокоробки и опустите коробку (2 болта).
4. Вставьте провода в электрокоробку.
5. Плотно подсоедините провода к блоку терминалов.

- * Убедитесь в том, что Вы оставили достаточный припуск на длину различных проводов с тем, чтобы коробку можно было опускать с прибора при проведении работ по техобслуживанию.

6. Закрепите провода с помощью кабельных зажимов, имеющихся на боковой стороне электрокоробки.
7. Установите на место ранее снятые детали.

4.2. Электропроводка для подвода питания

- Кабель заземления должен быть длиннее, чем остальные кабели.
 - Коды для электропитания прибора должны быть не меньше, чем по дизайну 60245 IEC 53 или 60227 IEC 53.
 - При установке кондиционера воздуха необходимо обеспечить выключатель с расстоянием между контактом и каждым полюсом минимум 3 мм.
- Размер кабеля электропитания: более чем 1,5 мм². (3-жильный)

► Используйте выключатель тока утечки на землю (NV).

- Для отключения всех активных фазовых проводов электропитания необходимо установить прерыватель.

[Рис. 4-2]

- А Выключатель 16 А
- В Защита от перегрузок по току 16 А
- С Внутренний прибор
- Д Общий рабочий ток должен быть не более 16 А
- Е Выдвижной ящик

4. Электрические работы

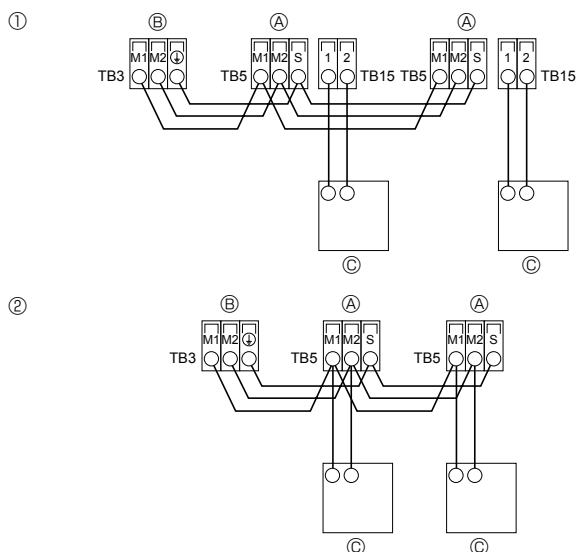


Рис. 4-3

4.3. Типы кабелей управления

1. Проводка кабелей передачи

Типы кабелей передачи	Экранированный провод CVVS или CPEVS
Диаметр кабеля	Свыше 1,25 мм ²
Длина	Менее 200 м

2. Кабели дистанционного управления "M-NET"

Тип кабеля дистанционного управления	Экранированный провод MVVS
Диаметр кабеля	0,5 – 1,25 мм ²
Длина	Добавляется любой отрезок свыше 10 м в пределах самого длинного допустимого кабеля передачи длиной 200 м.

3. Кабели дистанционного управления "MA"

Тип кабеля дистанционного управления	2-жильный кабель (неэкранированный)
Диаметр кабеля	0,3 – 1,25 мм ²
Длина	Менее 200 м

4.4. Подсоединение пульта дистанционного управления, кабелей передачи внутри и снаружи (Рис. 4-3)

- Подсоедините внутренний прибор TB5 к внешнему прибору TB3 (неполяризованный двухжильный провод).
"S" на внутреннем приборе TB5 - это соединение экранированного провода. Технические условия соединения кабелей указаны в руководстве по установке наружного прибора.
- Установите пульт дистанционного управления, следуя инструкциям, приведенным в поставленном вместе с ним руководстве.
- Подсоедините кабель передачи пульта дистанционного управления в пределах 10 м с помощью 0,75 мм². Если расстояние превышает 10 м, используйте для соединения кабель 1,25 мм².

① Пульт дистанционного управления "MA"

- Подсоедините "1" и "2" на TB15 внутреннего блока кондиционера к Пульту дистанционного управления "MA". (Неполяризованный 2-жильный кабель)
- Между 1 и 2 постоянный ток 9 - 13 В (Пульт дистанционного управления "MA")

② Пульт дистанционного управления "M-NET"

- Подсоедините "M1" и "M2" на TB5 внутреннего блока кондиционера к Пульту дистанционного управления "M-NET". (Неполяризованный 2-жильный кабель)
- Между M1 и M2 постоянный ток 24 - 30 В (Пульт дистанционного управления "M-NET")

Ⓐ Блок выводов для внутреннего кабеля передачи

Ⓑ Блок выводов для внешнего кабеля передачи

Ⓒ Пульт дистанционного управления

4.5. Установка адресов (Рис. 4-4)

(Убедитесь, что при выполнении этой работы подача электроэнергии отключена.)
• Имеются два способа установки поворотного переключателя: установка адресов от 1 до 9 и свыше 10, и установка номеров ветвей.

① Установка адресов

Пример: Если адрес "3", оставьте SW12 (для свыше 10) на "0" и сопоставьте SW11 (для 1 – 9) с "3".

② Как установить номера отделений SW14 (Только для серии R2)

Номер ветвей, присвоенный каждому внутреннему прибору представляет собой номер порта контроллера двоичного кода, к которому подключен внутренний прибор. Оставьте значение "0" на установках, отличных от серии R2.

- Все поворотные переключатели настраиваются на заводе на "0". Эти переключатели могут использоваться для задания адресов и номеров ответвлений труб по желанию.
- Определение адресов внутреннего прибора меняется при нахождении системы на сборочной площадке. Установите их с помощью справочника.

Примечание:

Устанавливайте переключатели SW5 в соответствии с напряжением питания.

- Установите SW5 на сторону 240 В, если питание имеет напряжение 230 и 240 вольт.
- Если напряжение питания 220 вольт, установите SW5 на сторону 220 В.

Ⓐ Адресный щит

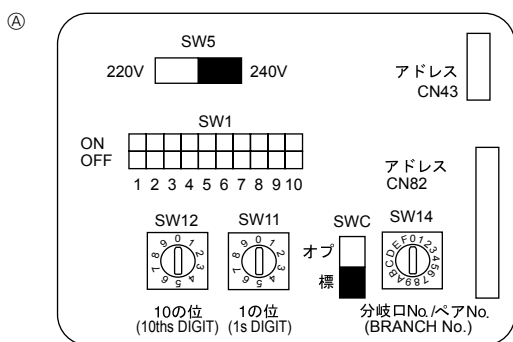


Рис. 4-4

4.6. Определение температуры в помещении встроенным датчиком пульта дистанционного управления (Рис. 4-4)

Если Вы желаете определять температуру в помещении с помощью датчика, встроенного в пульт дистанционного управления, установите SW1-1 на щите управления в положение "ВКЛ". При необходимости установка SW1-7 и SW1-8 также дает возможность для регулирования потока воздуха в то время, когда термометр показаний нагрева ОТКЛЮЧЕН.

5. Установка вентиляционной решетки

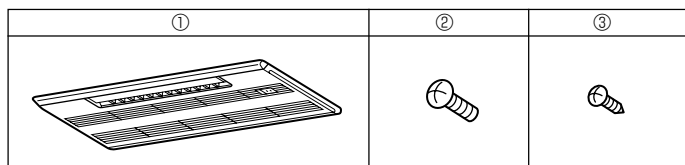


Рис. 5-1

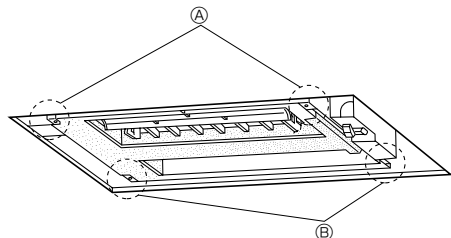


Рис. 5-2

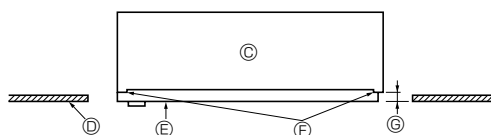


Рис. 5-3

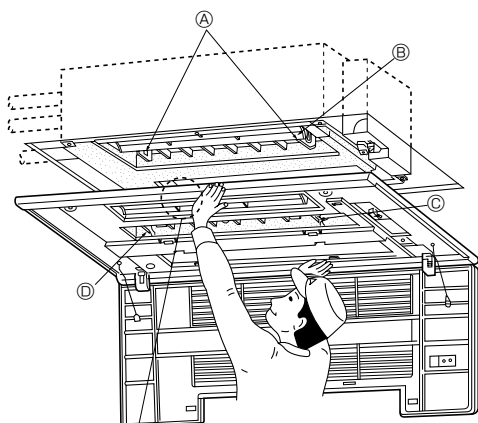


Рис. 5-4

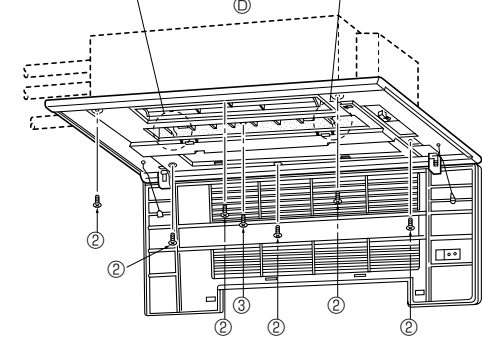
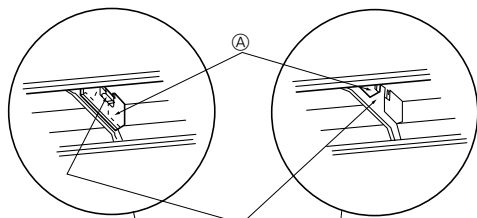
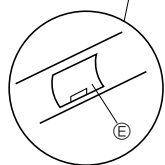


Рис. 5-5

5.1. Проверка содержимого комплекта (Рис. 5-1)

- Данный комплект содержит следующие детали.

	Название приспособления	Количество	Замечание
①	Вентиляционная решетка	1	
②	Винт	6	M5 × 0,8 × 16
③	Винт	1	4 × 16

- Ⓐ Точки для крепления решетки
- Ⓑ Точки для крепления решетки
- Ⓒ Внутренний прибор
- Ⓓ Поверхность потолка
- Ⓔ Дренажный лоток
- Ⓕ Места крепления передней решетки.
- Ⓖ Убедитесь в том, что данные поверхности располагаются заподлицо друг с другом (0-3 мм).

5.2. Контрольные проверки перед установкой на место (Рис. 5-2, 3)

- Перед установкой передней панели убедитесь в том, что внутренний прибор установлен под прямым углом по отношению к отверстию в потолке (или параллельно углу между стеной и потолком).
- Убедитесь в том, что четыре точки, в которых будет крепиться передняя панель, в контакте с поверхностью потолка.
- Убедитесь в целостности изоляции труб хладагента, дренажных труб и т.д., а также в завершении электропроводки и электросоединений.

5.3. Установка вентиляционной решетки (Рис. 5-4)

- Откройте воздухозаборную решетку нажав на точку, обозначенную словом Push (Надавить), и снимите воздушный фильтр.
- Снимите крышку с винта в середине вентилятора.
- Полностью откройте верхние и нижние заслонки на внутреннем приборе.
- Зацепите временные поддерживающие петли на передней панели за крючки внутреннего прибора.
 - Ⓐ Крючки
 - Ⓑ Полностью откройте верхние и нижние заслонки.
 - Ⓒ Временная поддерживающая петля
 - Ⓓ Временная поддерживающая петля
 - Ⓔ Крышка винта

- Отрегулируйте положение передней панели таким образом, чтобы она надлежащим образом вписывалась в угол между потолком и стеной, и установите крепежные болты ② (поставляются с прибором) в четырех местах слева и справа, оставив их слегка незатянутыми. (Рис. 5-5)
- Далее затяните крепежные болты ② и крепежные винты ③ в трех местах в центре.
- И наконец затяните крепежные болты ② в четырех местах слева и справа.
- На этом этапе убедитесь в отсутствии щелей между внутренним прибором и передней панелью, а также между передней панелью и поверхностью потолка. Наличие щелей может привести к попаданию ветра, что, в свою очередь, может вызвать капание воды. (Рис. 5-6).
- * Плотно затяните крепежные болты ② и крепежные винты ③.
- Вставьте на место воздушный фильтр и крышку винта, затем надавите на воздухозаборную решетку в месте обозначенном словом Push (Надавить), чтобы она со щелчком встала на место.

[Рис. 5-5]

- Ⓐ Крюк
- Ⓓ Временные петли крепления

5. Установка вентиляционной решетки

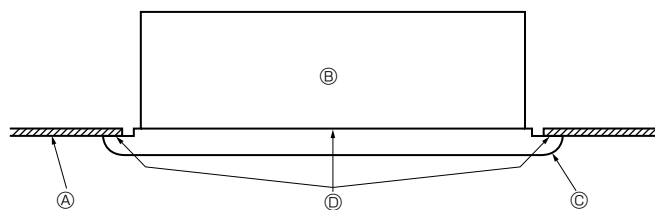


Рис. 5-6

5.4. Контрольные проверки после установки (Рис. 5-6)

- Убедитесь в отсутствии щелей между внутренним прибором и передней панелью, а также между передней панелью и поверхностью потолка. Наличие щелей может привести к попаданию ветра, что, в свою очередь, может вызвать конденсацию влаги.
- Убедитесь, что воздушный фильтр на месте.
 - Ⓐ Поверхность потолка
 - Ⓑ Внутренний прибор
 - Ⓒ Решетка
 - Ⓓ Отсутствие щелей здесь

6. Выполнение испытания

6.1. Перед пробным прогоном

- ▶ После завершения установки, прокладки труб и электропроводки внутреннего и наружного приборов проверьте отсутствие утечки хладагента, слабых соединений кабеля питания или проводов управления и неправильной полярности, а также убедитесь, что все фазы питания подключены.
- ▶ Измерьте сопротивление между терминалами источника электропитания и заземлением с использованием 500-вольтного меггера и убедитесь, что сопротивление составляет не менее 1,0 МΩ.

- ▶ Запрещается выполнять этот замер на терминалах проводов управления (цепь низкого напряжения).

⚠ Предупреждение:

Не пользуйтесь кондиционером воздуха, если сопротивление изоляции ниже 1,0 МΩ.

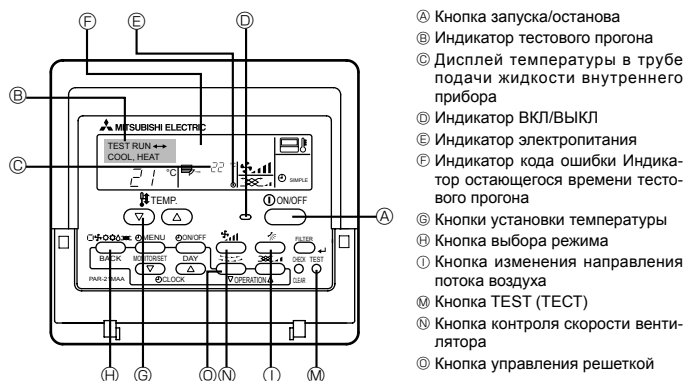


Рис. 6-1

- Ⓐ Кнопка запуска/останова
- Ⓑ Индикатор тестового прогона
- Ⓒ Дисплей температуры в трубе подачи жидкости внутреннего прибора
- Ⓓ Индикатор ВКЛ/ВЫКЛ
- Ⓔ Индикатор электропитания
- Ⓚ Индикатор кода ошибки Индикатор остающегося времени тестового прогона
- Ⓛ Кнопки установки температуры
- Ⓜ Кнопка выбора режима
- Ⓝ Кнопка изменения направления потока воздуха
- Ⓞ Кнопка TEST (ТЕСТ)
- Ⓟ Кнопка контроля скорости вентилятора
- Ⓠ Кнопка управления решеткой

6.2. Выполнение испытания

Использование проводного пульта дистанционного управления (Рис. 6-1)

- 1 Включите питание по крайней мере за 12 часов до начала пробного прогона.
- 2 Дважды нажмите кнопку [TEST]. ➔ "TEST RUN" на ЖК-дисплее
- 3 Нажмите кнопку [Mode selection] (Выбор режима) и переключитесь на режим охлаждения (или обогрева). ➔ Убедитесь в том, что выдувается холодный (или теплый) воздух.
- 4 Нажмите кнопку [Fan speed] (Скорость воздушного потока). ➔ Убедитесь в том, что скорость воздушного потока переключилась.
- 5 Нажмите кнопку изменения направления потока воздуха или кнопку управления решеткой. ➔ Проверьте работоспособность заслонки.
- 6 Проверьте работу вентилятора наружного прибора.
- 7 Выключите пробный прогон нажатием кнопки [ON/OFF]. ➔ Стоп
- 8 Введите телефонный номер.

Телефонный номер ремонтной мастерской, отдела продаж и т.д., по которому можно связаться при появлении ошибки, необходимо записать в пульт дистанционного управления. Телефонный номер отобразится при возникновении ошибки. Процедуры ввода приводятся в руководстве по эксплуатации внутреннего прибора.

Примечание:

- При отображении кода ошибки на дисплее пульта дистанционного управления или сбоях в работе кондиционера справьтесь с Руководством по установке наружного прибора или с другими техническими документами.
- При выборе параметра OFF таймера пробный прогон будет автоматически отключен через 2 часа.
- Во время пробного прогона оставшееся время отображается на дисплее.
- Во время пробного прогона температура в трубах охлаждения внутреннего прибора отображается на дисплее комнатной температуры пульта дистанционного управления.
- В зависимости от модели внутреннего прибора при нажатии на кнопку VANE или кнопку LOUVER на дисплее пульта дистанционного управления может появиться сообщение «NOT AVAILABLE» (НЕ ДОСТУПНО), что не является признаком неисправности.

This product is designed and intended for use in the residential,
commercial and light-industrial environment.

The product at hand is
based on the following
EU regulations:

- Low Voltage Directive 2006/95/EC
- Electromagnetic Compatibility Directive
2004/108/EC

Please be sure to put the contact address/telephone number on
this manual before handing it to the customer.

 **mitsubishi electric corporation**

HEAD OFFICE: TOKYO BLDG., 2-7-3, MARUNOUCHI, CHIYODA-KU, TOKYO 100-8310, JAPAN
Authorized representative in EU: MITSUBISHI ELECTRIC EUROPE B.V.

HARMAN HOUSE, 1 GEORGE STREET, UXBRIDGE, MIDDLESEX UB8 1QQ, U.K.