

Safety precautions

- ▶ Thoroughly read the following safety precautions prior to installation.
- ▶ Observe these precautions carefully to ensure safety.

! WARNING	: indicates a hazardous situation which, if not avoided, could result in death or serious injury.
! CAUTION	: indicates a hazardous situation which, if not avoided, could result in minor or moderate injury.
CAUTION	: addresses practices not related to personal injury, such as product and/or property damage.

- ▶ After reading this manual, pass the manual on to the end user to retain for future reference.
- ▶ The user should keep this manual for future reference and refer to it as necessary. This manual should be made available to those who repair or relocate the units. Make sure that the manual is passed on to any future air conditioning system user.

General precautions

! WARNING

To reduce the risk of injury or electric shock, switch off the main power prior to installation.

Do not touch the refrigerant pipes and refrigerant line components with bare hands during and immediately after operation.

- The refrigerant in the pipes will be very hot or very cold, resulting in frostbite or burns.

To reduce the risk of injury from accidentally dropped tools, keep children away while installing, inspecting, or repairing the unit.

! CAUTION

Do not turn off the power immediately after stopping operation.

- Wait for at least five minutes after the unit has stopped before turning off the power. Failure to do so may result in unit malfunction, causing water leakage and resultant damage to the furnishings.

To reduce the risk of injury, do not touch fans, heat exchanger fins, or the sharp edges of components with bare hands.

To reduce the risk of injury, do not insert fingers or foreign objects into air inlet/outlet grills.

To reduce the risk of injury, wear protective gloves when working on the unit.

The unit must be installed by qualified personnel according to the instructions detailed in this manual.

- Improper installation may result in refrigerant leakage, water leakage, electric shock or fire.

Additional precautions

CAUTION

To avoid damage to the unit, use appropriate tools to install, inspect, or repair the unit.

- | |
|---|
| <ul style="list-style-type: none">* Refer to the installation manual that came with the outdoor unit for installation instructions.* When this optional fin guard is installed, a snow hood cannot be installed. |
|---|

1. Parts

A fin guard and mounting screws with the following sizes are included in the package.

	Mounting surface	Fin guard		Mounting screw
		Size (mm)	Quantity	
PAC-FG01S-E	Left side of the unit	418 × 808	1	14 (2 for spare)
	Right side of the unit	494 × 808	1	
PAC-FG02S-E	Left side of the unit	418 × 808	1	14 (2 for spare)
	Right side of the unit	472 × 808	1	
PAC-FG01B-E	Behind the unit	730 × 808	1	7 (1 for spare)
PAC-FG02B-E	Behind the unit (left)	475 × 808	1	14 (2 for spare)
	Behind the unit (right)	553 × 808	1	
PAC-FG03B-E	Behind the unit	788 × 808	2	14 (2 for spare)

2. Preparation

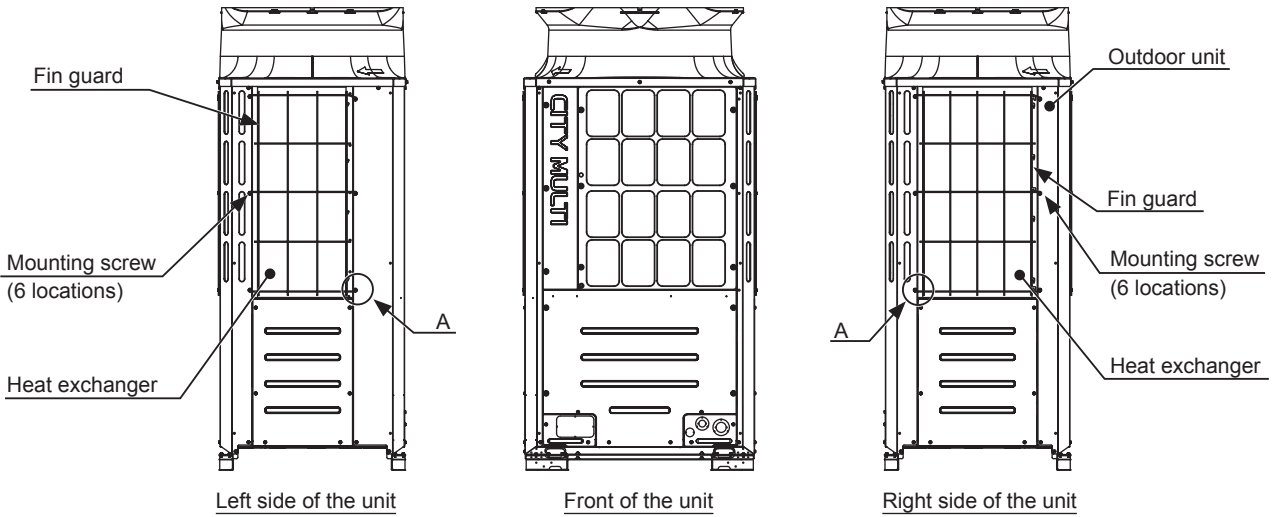
- Check that the main power on the outdoor unit is turned off. After turning off the main power, leave it turned off for at least 10 minutes before proceeding.
- A Phillips screwdriver is required for installation.

See reverse.

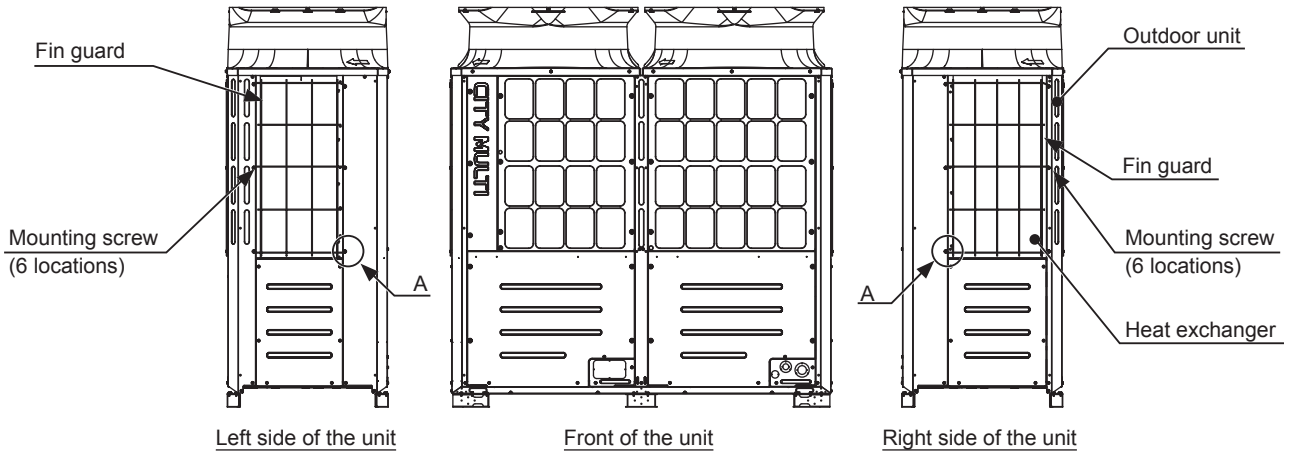
3. Installation instructions

Fix the fin guard with the mounting screws in the correct orientation as shown in the figures below.

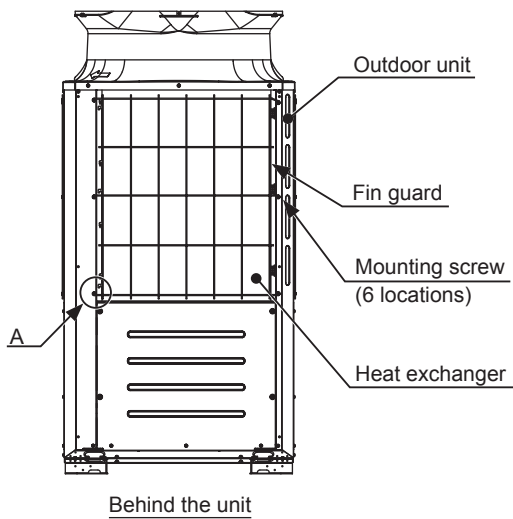
[PAC-FG01S-E]



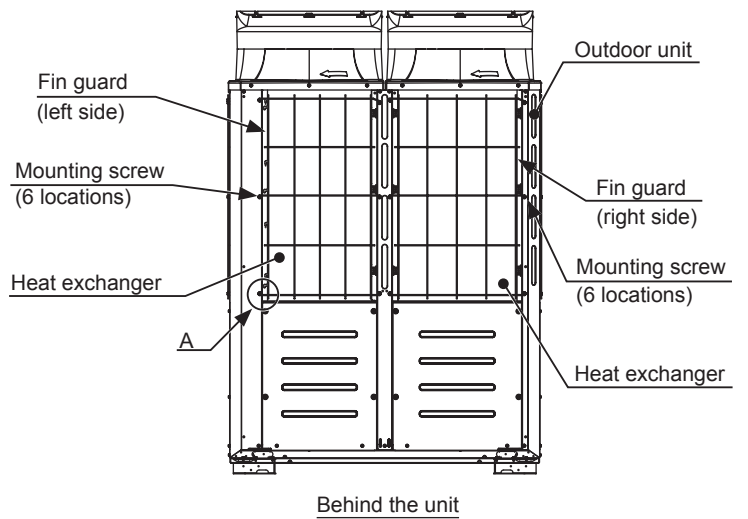
[PAC-FG02S-E]



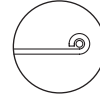
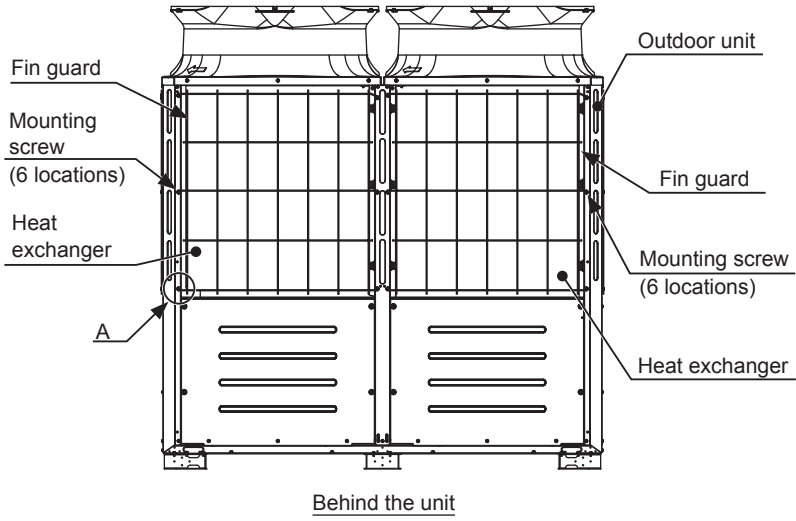
[PAC-FG01B-E]



[PAC-FG02B-E]



[PAC-FG03B-E]



Enlarged view of A (mounting screw)