



Photo



Descriptions

Enables outdoor installation of branch box in case its installation is impossible.

Applicable Models

- MXZ-8A140VA
- PAC-AK30BC
- PAC-AK50BC

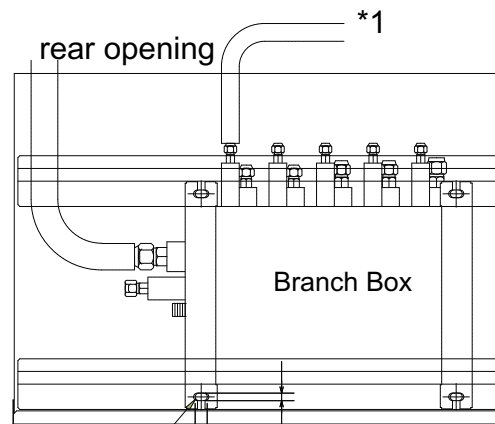
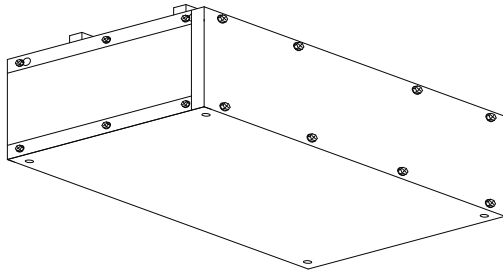
Specifications

TO BE CONFIRMED

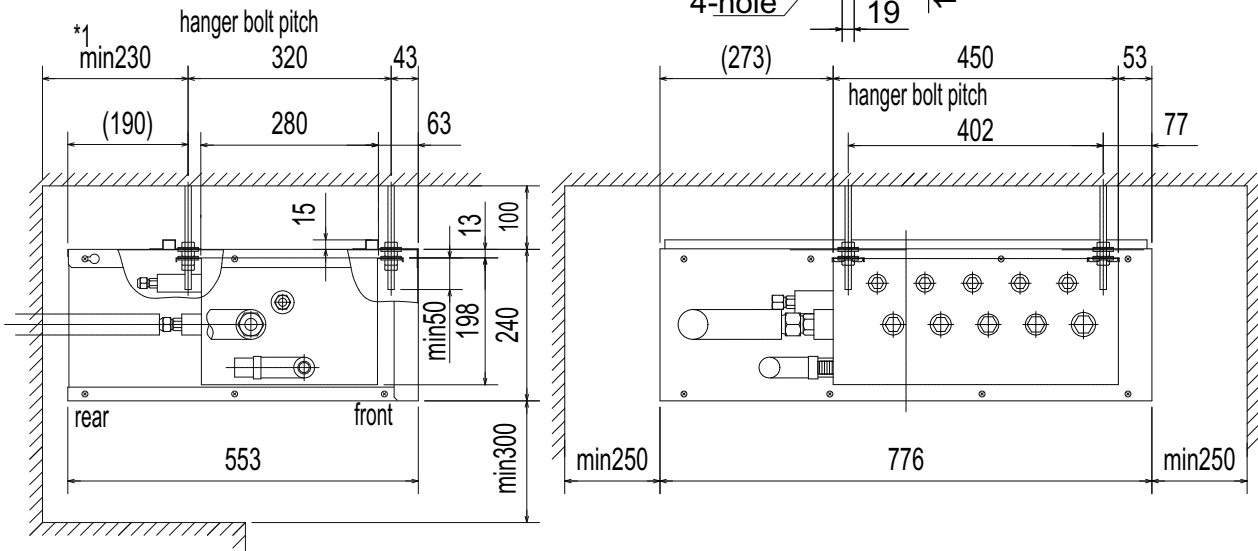
Dimensions

Unit : mm

completed view



*1 Minimum dimension 330mm is required when distribution pipe is bent 90°



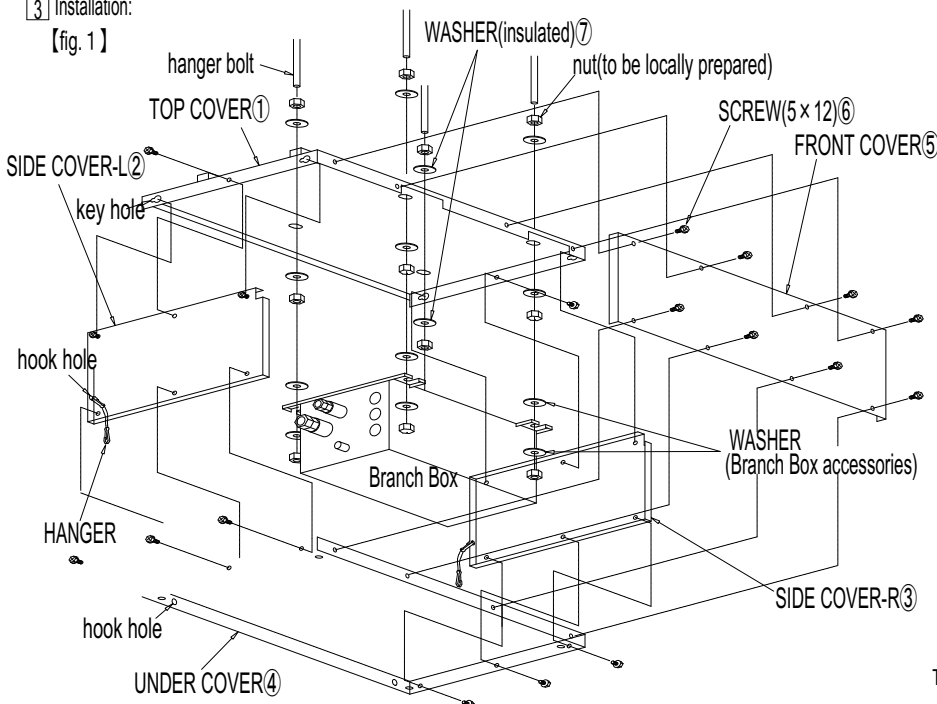
How to Use / How to Install

1 Please check if you have all the following parts in the packing before installation:

① TOP COVER	② SIDE COVER-L	③ SIDE COVER-R	④ UNDER COVER	⑤ FRONT COVER
⑥ SCREW(5 × 12) 	⑦ WASHER(insulated) 	⑧ HANGER 	⑨ INSTALLATION PROCEDURE 	
20pcs	8pcs	2pcs	This sheet 1 sheet	

3 Installation:

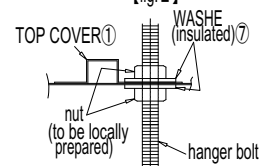
[fig. 1]



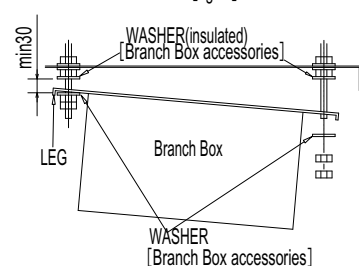
《Installation Procedures》

1. Install hanger bolts to match with the holes on the Branch Box (and the outer cover).
2. Put a nut (to be locally purchased) and a WASHER ⑦ to the each hanger bolts.
3. Fix the TOP COVER ① to the hanger bolts with WASHERs ⑦ and nuts. [fig. 2]
*Make sure to level the TOP COVER ① before fixing
4. Put one insulated WASHER each (which come with the Branch Box) to 4 hanger bolts. [fig. 3]
5. Put one WASHER and one nut each (which come with the Branch Box) to 2 hanger bolts either at front side or back side. [fig. 3]
6. Hook two LEGs on the pre-fixed WASHERs and nuts first. Then insert hanger bolts to two LEGs on the opposite side and fix them with WASHERs and nuts (which come with the Branch Box). [fig. 4]
*Make sure to level the Branch Box before fixing it.
*Make sure that all 16 nuts are tightly fixed.
7. Install pipings and wirings etc, following the installation manual of the Branch Box.
*Piping must be installed within the Outer Cover.
8. Fix the SIDE COVERS ②&③ on both sides to the TOP COVER ① with SCREWS ⑥.
First, put SCREWS ⑥ tentatively to the holes at the both upper ends of the SIDE COVERS ②&③, then hook them to the key holes on the TOP COVER ①.
9. Fix the UNDER COVER ④ to the SIDE COVERS ②&③ with SCREWS ⑥.
Hook HANGERS ⑧ first to the rear holes on the SIDE COVERS ②&③ and then hook the other end of the HANGERS to the rear hole on the UNDER COVER ④. Thus you can avoid the UNDER COVER ④ falling and the installation work will be easier (facilitated).
10. Fix the FRONT COVER ⑤ to the TOP COVER ① and the UNDER COVER ④ with SCREWS ⑥.
*Make sure that all 20 SCREWS are tightly fixed.

[fig. 2]



[fig. 3]



[fig. 4]

