

Air-Conditioners For Building Application INDOOR UNIT

PFFY-P·VKM-E (2)

For use with the R410A
Bei Verwendung von R410A
A utiliser avec le R410A
Bij gebruik van R410A
Para utilizar con el R410A

Uso del refrigerante R410A
Για χρήση με τα R410A
Para utilização com o R410A
R410A ile beraber kullanmak için
Для использования с моделями R410A

INSTALLATION MANUAL

For safe and correct use, read this manual and the outdoor unit installation manual thoroughly before installing the air-conditioner unit.

FOR INSTALLER

INSTALLATIONSHANDBUCH

Aus Sicherheitsgründen und zur richtigen Anwendung vor Installation der Klimaanlage die vorliegende Bedienungsanleitung und das Installationshandbuch gründlich durchlesen.

FÜR INSTALLATEURE

MANUEL D'INSTALLATION

Avant d'installer le climatiseur, lire attentivement ce manuel, ainsi que le manuel d'installation de l'appareil extérieur pour une utilisation sûre et correcte.

POUR L'INSTALLATEUR

INSTALLATIEHANDLEIDING

Lees deze handleiding en de installatiehandleiding van het buitenapparaat zorgvuldig door voordat u met het installeren van de airconditioner begint.

VOOR DE INSTALLATEUR

MANUAL DE INSTALACIÓN

Para un uso seguro y correcto, lea detalladamente este manual de instalación antes de montar la unidad de aire acondicionado.

PARA EL INSTALADOR

MANUALE DI INSTALLAZIONE

Per un uso sicuro e corretto, prima di installare il condizionatore d'aria leggere attentamente il presente manuale ed il manuale d'installazione dell'unità esterna.

PER L'INSTALLATORE

ΕΓΧΕΙΡΙΔΙΟ ΟΔΗΓΙΩΝ ΕΓΚΑΤΑΣΤΑΣΗΣ

Για σωστή και ασφαλή χρήση, διαβάστε προσεκτικά αυτό το εγχειρίδιο, καθώς και το εγχειρίδιο εγκατάστασης της εξωτερικής μονάδας, πριν από την εγκατάσταση της μονάδας κλιματιστικού.

ΓΙΑ ΑΥΤΟΝ ΠΟΥ ΚΑΝΕΙ ΤΗΝ ΕΓΚΑΤΑΣΤΑΣΗ

MANUAL DE INSTALAÇÃO

Para uma utilização segura e correcta, leia atentamente este manual e o manual de instalação da unidade exterior antes de instalar o aparelho de ar condicionado.

PARA O INSTALADOR

MONTAJ ELKİTABI

Emniyetli ve doğru kullanım için, klima cihazını monte etmeden önce bu kılavuzu ve dış ünite montaj kılavuzunu tamamiyle okuyun.

MONTÖR İÇİN

РУКОВОДСТВО ПО УСТАНОВКЕ

Для обеспечения безопасной и надлежащей эксплуатации внимательно прочтите данное руководство и руководство по установке наружного прибора перед установкой кондиционера.

ДЛЯ УСТАНОВИТЕЛЯ

English (GB)

Deutsch (D)

Français (F)

Nederlands (NL)

Español (E)

Italiano (I)

Ελληνικά (GR)

Português (P)

Türkçe (TR)

Русский (RU)

Contents

1. Safety precautions.....	2	6. Embedding the indoor unit in a wall.....	6
2. Installation location.....	2	7. Electrical work.....	7
3. Installing the indoor unit.....	3	8. Test run.....	8
4. Refrigerant pipe.....	4	9. Air outlet selection.....	9
5. Drainage piping work.....	5		

Note:
The phrase “Wired remote controller” in this installation manual refers only to the PAR-21MAA.
If you need any information for the other remote controller, please refer to either the installation manual or initial setting manual which are included in these boxes.

1. Safety precautions

▶ Before installing the unit, make sure you read all the “Safety precautions”.
▶ Please report to your supply authority or obtain their consent before connecting this equipment to the power supply system.

Warning:
Describes precautions that must be observed to prevent danger of injury or death to the user.

Caution:
Describes precautions that must be observed to prevent damage to the unit.

After installation work has been completed, explain the “Safety Precautions,” use, and maintenance of the unit to the customer according to the information in the Operation Manual and perform the test run to ensure normal operation. Both the Installation Manual and Operation Manual must be given to the user for keeping. These manuals must be passed on to subsequent users.

- Warning:**
- Ask the dealer or an authorized technician to install the air conditioner.
 - Install the unit at a place that can withstand its weight.
 - Use only specified cables for wiring. The wiring connections must be made securely with no tension applied on the terminal connections. Also, never splice the cables for wiring (unless otherwise indicated in this document).
Failure to observe these instructions may result in overheating or a fire.
 - Use only accessories authorized by Mitsubishi Electric and ask the dealer or an authorized technician to install them.
 - Do not touch the heat exchanger fins.
 - If the supply cord is damaged, it must be replaced by the manufacturer, its service agent or similarly qualified persons in order to avoid a hazard.
 - The appliance shall be installed in accordance with national wiring regulations.
 - Install the air conditioner according to this Installation Manual.

- Caution:**
- Do not use the existing refrigerant piping, when use R410A refrigerant.
 - Use ester oil, either oil or alkylbenzene (small amount) as the refrigerator oil to coat flares and flange connections, when use R410A refrigerant.
 - Do not use the air conditioner where food, pets, plants, precision instruments, or artwork are kept.
 - Do not use the air conditioner in special environments.
 - Ground the unit.

2. Installation location

(mm)

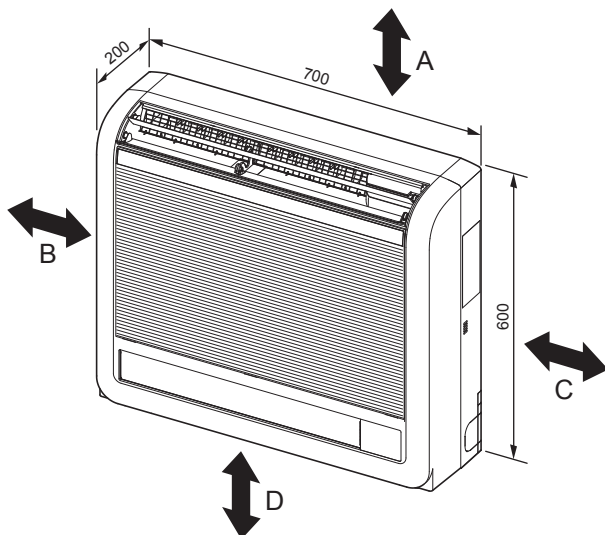


Fig. 2-1

- ⊘ : Indicates an action that must be avoided.
- ⚠ : Indicates that important instructions must be followed.
- ⚡ : Indicates a part which must be grounded.
- ⚠ : Indicates that caution should be taken with rotating parts.
- ⚡ : Indicates that the main switch must be turned off before servicing.
- ⚡ : Beware of electric shock.
- ⚠ : Beware of hot surface.
- ⚠ ELV : At servicing, please shut down the power supply for both the Indoor and Outdoor Unit.

Warning:
Carefully read the labels affixed to the main unit.

- Have all electric work done by a licensed electrician according to local regulations.
- If the air conditioner is installed in a small room, measures must be taken to prevent the refrigerant concentration from exceeding the safety limit even if the refrigerant should leak.
- The cut face punched parts may cause injury by cut, etc. The installers are requested to wear protective equipment such as gloves, etc.
- When installing or relocating, or servicing the outdoor unit, use only the specified refrigerant (R410A) to charge the refrigerant lines. Do not mix it with any other refrigerant and do not allow air to remain in the lines.
If air is mixed with the refrigerant, then it can be the cause of abnormal high pressure in the refrigerant line, and may result in an explosion and other hazards.
The use of any refrigerant other than that specified for the system will cause mechanical failure or system malfunction or unit breakdown. In the worst case, this could lead to a serious impediment to securing product safety.

- Install an leak circuit breaker, as required.
- Use power line cables of sufficient current carrying capacity and rating.
- Use only a circuit breaker and fuse of the specified capacity.
- Do not touch the switches with wet fingers.
- Do not touch the refrigerant pipes during and immediately after operation.
- Do not operate the air conditioner with the panels and guards removed.
- Do not turn off the power immediately after stopping operation.

The indoor unit should be supplied with the following accessories.

PART NUMBER	ACCESSORY	QUANTITY
①	Drain hose	1
②	Pipe cover	1
③	Band	2
④	Indoor unit mounting bracket	1
⑤	Fixing screw for ④ 4 × 25 mm	5
⑥	Wood screw for the indoor unit fixation	4
⑦	Washer of ⑥	4
⑧	Felt tape (Used for left or left-rear piping)	1
⑨	MA Remote controller cable	1

2.1. Outline dimensions (Indoor unit) (Fig. 2-1)

The unit must be securely installed on a structure that can sustain its weight.

Models	A	B	C	D
P20/25/32/40	100 mm or more	100 mm or more	100 mm or more	150 mm or below from the floor

Warning:
Mount the indoor unit on a wall structure strong enough to withstand the weight of the unit.

3. Installing the indoor unit

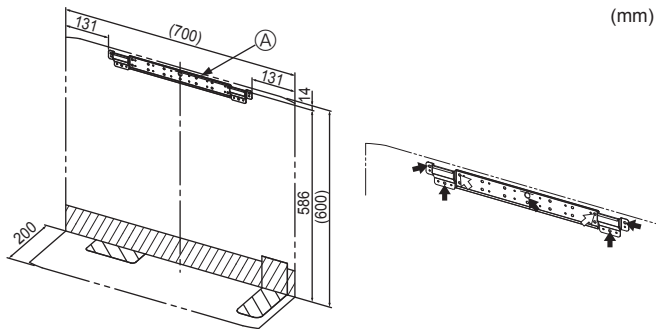


Fig. 3-1

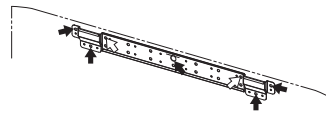


Fig. 3-2

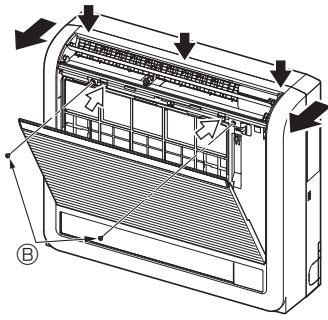


Fig. 3-3

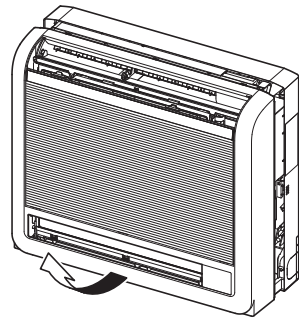


Fig. 3-4

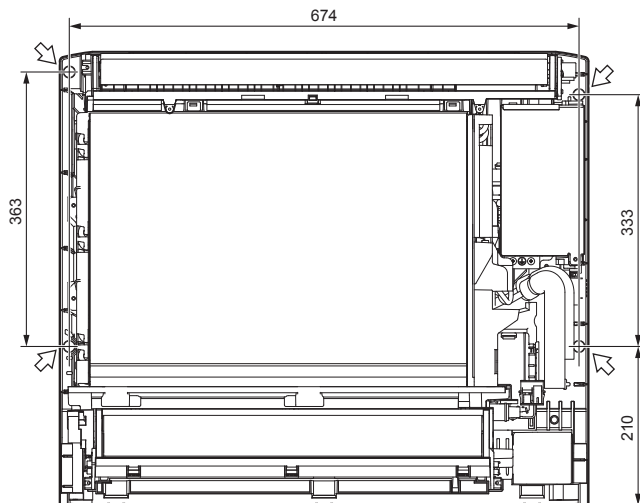


Fig. 3-5

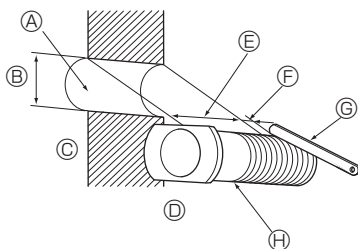


Fig. 3-6

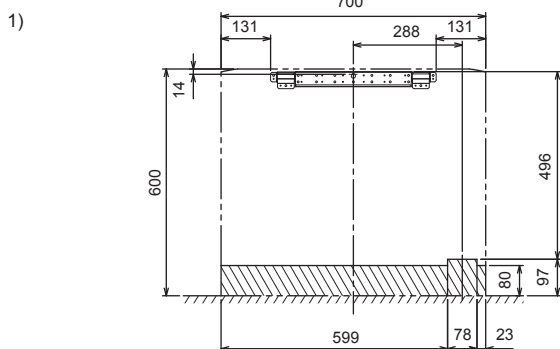


Fig. 3-7

3.1. Indoor unit mounting bracket installation

- Install the bracket firmly to the wall structure (stud, etc.). (Fig. 3-1)
- Use a level to install the mounting bracket horizontally.
- Install the indoor unit 150 mm or below from the floor.

① Indoor unit mounting bracket

Note:

To prevent the indoor unit mounting bracket from vibrating slightly, be sure to fasten the bracket at the holes indicated by . In addition, fasten the bracket at the holes indicated by if possible. (Fig. 3-2)

3.2. Indoor unit preparation

- ① Press the 2 positions indicated by the arrows and open the front grille. (Fig. 3-3)
- ② Open the front grille and remove the 2 screws.
- ③ Open the horizontal vane for the upper air outlet, push the top of the front panel in 3 locations, and then pull the top of the grille away from the indoor unit.
 - ③ Screws
- ④ Lift up the front grille to remove it. (Fig. 3-4)

3.3. Indoor unit installation (Fig. 3-5)

- Hook the top of the indoor unit on the indoor unit mounting bracket.
- Use the included wood screws and washer, and fasten the indoor unit at 2 locations () each at the top and the middle of the unit.

Note:

Install the indoor unit securely to the wall, making sure that there is no gap between the unit and the wall.

3.4. Making holes in the wall and floor

3.4.1. Making holes (Fig. 3-6)

- ① Make $\varnothing 65$ mm or $\varnothing 75$ mm holes that are approximately 5–7 mm deep and angled slightly downward outward from the room.
- ② Insert the wall hole sleeves into the holes.

- ① Wall hole
- ② 65 mm or 75 mm dia.
- ③ Indoor side
- ④ Wall hole cross section
- ⑤ Wall thickness
- ⑥ One scale
- ⑦ Cut with 1 extra scale length.
- ⑧ Wall hole sleeve

⚠ Caution:

Be sure to use the wall hole sleeves. Otherwise, the indoor/outdoor unit connecting wires may contact a metal object in the wall or, in the case of hollow walls, small rodents may gnaw on the wires, resulting in a very dangerous situation.

3.4.2. Determining hole positions

The areas where the piping can be routed are indicated with oblique lines in the figure.

1) For rear or left-rear piping (Fig. 3-7)

(The following figure is a front view of the indoor unit installation location.)

3. Installing the indoor unit

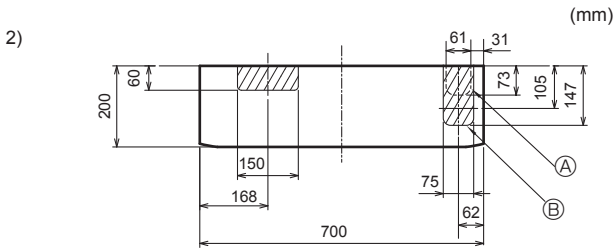


Fig. 3-8

2) For right downward or left downward piping (Fig. 3-8)

(The following figure is a view of the bottom of the indoor unit from above.)

- Ⓐ When the unit is installed on the wall.
- Ⓑ When the unit is installed on the floor.

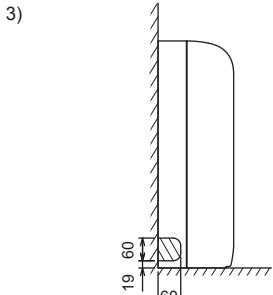


Fig. 3-9

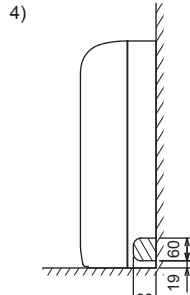


Fig. 3-10

3) For left piping (Fig. 3-9)

4) For right piping (Fig. 3-10)

3.4.3. Sealing the holes

Use putty or a caulking compound to seal the holes.

4. Refrigerant pipe

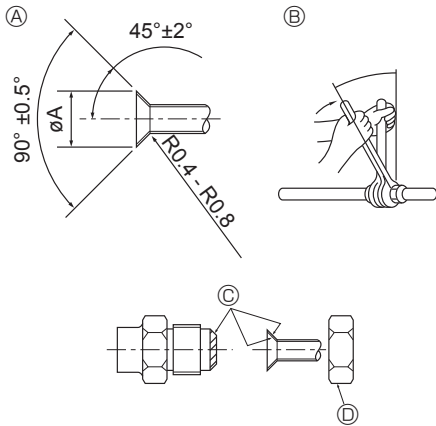


Fig. 4-1

4.1. Connecting pipes (Fig. 4-1)

- When commercially available copper pipes are used, wrap liquid and gas pipes with commercially available insulation materials (heat-resistant to 100°C or more, thickness of 12 mm or more).
- The indoor parts of the drain pipe should be wrapped with polyethylene foam insulation materials (specific gravity of 0.03, thickness of 9 mm or more).
- Apply thin layer of refrigerant oil to pipe and joint seating surface before tightening flare nut.
- Use two wrenches to tighten piping connections.
- Use refrigerant piping insulation provided to insulate indoor unit connections. Insulate carefully.

⚠ Warning:

When installing the unit, securely connect the refrigerant pipes before starting the compressor.

Ⓐ Flare cutting dimensions

Copper pipe O.D. (mm)	Flare dimensions Ⓐ dimensions (mm)
Ⓐ6.35	8.7 - 9.1
Ⓐ9.52	12.8 - 13.2
Ⓐ12.7	16.2 - 16.6
Ⓐ15.88	19.3 - 19.7
Ⓐ19.05	23.6 - 24.0

Ⓑ Refrigerant pipe sizes & Flare nut tightening torque

	R410A				Flare nut O.D.	
	Liquid pipe		Gas pipe		Liquid pipe (mm)	Gas pipe (mm)
	Pipe size (mm)	Tightening torque (N·m)	Pipe size (mm)	Tightening torque (N·m)		
P20/25/32/40	O.D. Ⓐ6.35 (1/4")	14 - 18	O.D. Ⓐ12.7 (1/2")	49 - 61	17	26

Ⓒ Apply refrigerating machine oil over the entire flare seat surface.

* Do not apply refrigerating machine oil to the screw portions. (This will make the flare nuts more apt to loosen.)

Ⓓ Be certain to use the flare nuts those are attached to the main unit. (Use of commercially-available products may result in cracking.)

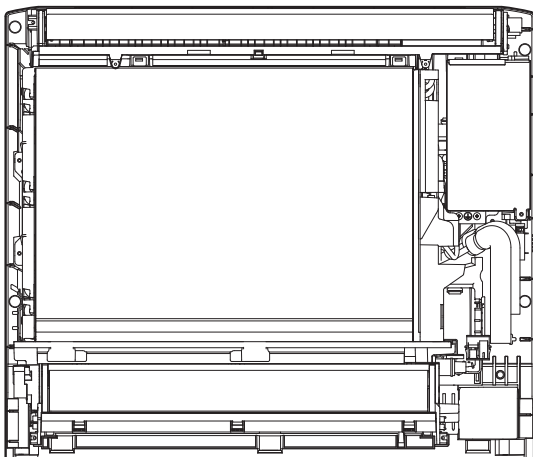


Fig. 4-2

4.2. Refrigerant piping

4.2.1. Connecting pipe installation

Install the connecting pipes so that the piping can move slightly to the front, back, left, and right. (Fig. 4-2)

4. Refrigerant pipe

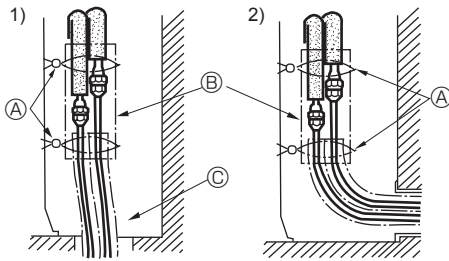


Fig. 4-3

Fig. 4-4

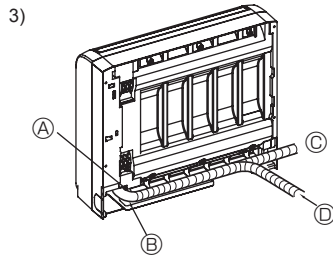
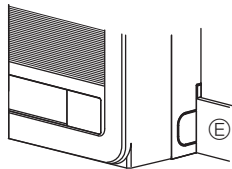


Fig. 4-5

Installing flush against a wall with molding



For left or right piping

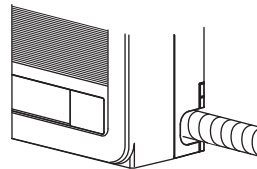


Fig. 4-6

1) For right downward piping (Fig. 4-3)

2) For piping other than right downward (Fig. 4-4)

- Ⓐ Bands
- Ⓑ Pipe covers
- Ⓒ Remove the cover.

- Be sure to insulate the connecting pipes and place them near the rear of the indoor unit so that they do not contact the front panel.
- Be careful not to crush the connecting pipes when bending them.

3) For left or left-rear piping (Fig. 4-5)

Bundle the connecting pipes and drain hose together, and then wrap them in felt tape.

- Ⓐ Make sure that the drain hose is not routed upward.

- Ⓑ Felt tape

* Wrap the felt tape tightly around the pipes and hose starting near where the pipes and hose are routed from the indoor unit. (The overlap width of the felt tape should not be more than 1/2 of the tape width.)

- Ⓒ Start wrapping the piping tape around the pipes and hose 10 mm inside the indoor unit.

- Ⓓ Fasten the end of the felt tape with a bandage stopper.

Cut and use the lower side panels on the left and right sides of the indoor unit as shown.

Smooth the cut edges of the side panels so that they will not damage the insulation coating. (Fig. 4-6)

- Ⓔ Cut the lower side panels to match the height of the modelling.

5. Drainage piping work

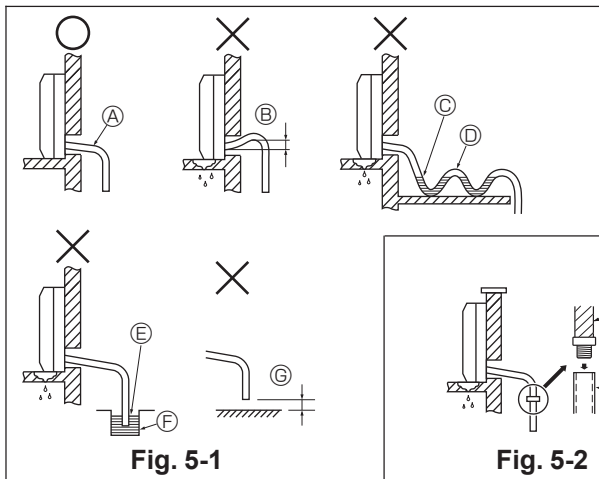


Fig. 5-1

Fig. 5-2

5.1. Drainage piping work

- Be sure to route the drain piping slightly downward (1/100 or more) so that the drain water flows easily.
- Do not route the drain piping as shown in the examples mark with an "X" in the figure. (Fig. 5-1)
- If the drain hose is too short, refer to Fig. 5-2 to extend the length of the hose.
- If the indoor unit is installed in a high location such as a high-rise apartment, strong winds may cause the drain water to flow back through the drain hose and leak from the unit. If necessary, contact your nearest Mitsubishi Electric representative for the optional parts to prevent this problem.
- If the drain hose is routed indoors, be sure to wrap it in commercially-available insulation.
- Do not connect the drain piping directly to a septic tank, sewage tank, etc., where ammonia gases or hydrogen sulfide are produced.
- If there is slack in the drain hose or the end of the drain hose is raised up, the drain water may not flow smoothly and some drain water may collect in the hose. This can lead to a strange sound (bubbling) being produced during strong winds or when a ventilation fan, etc., is used in a residence that is well-sealed. If necessary, contact your nearest Mitsubishi Electric representative for the optional parts to prevent this problem.

- Ⓐ Sloping downward
- Ⓑ No upward slope
- Ⓒ Accumulated drain water
- Ⓓ Air
- Ⓔ End of drain hose is immersed in water.
- Ⓕ Drainage channel
- Ⓖ 50 mm or less from ground
- Ⓗ Drain hose
- Ⓘ Fixable PVC hose (inner diameter: 15 mm) or rigid PVC pipe (VP-15)

- When routing the drain piping, make sure that the drain hose is routed as shown. (Fig. 5-3)

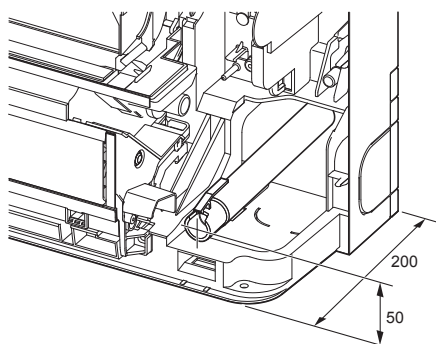


Fig. 5-3

5. Drainage piping work

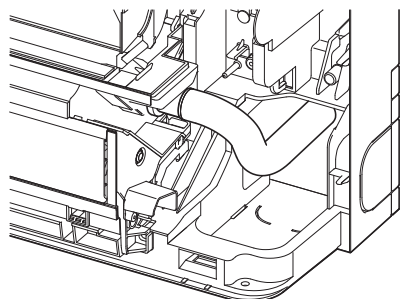


Fig. 5-4

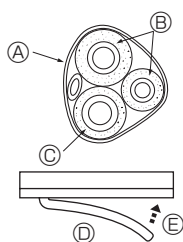


Fig. 5-5

- Insert the drain hose all the way to the base of the drain pan. (Fig. 5-4) Make sure that the drain hose is securely caught on the projection in the hole in the drain pan.

- Route the drain hose diagonally below the connecting pipes. (Fig. 5-5)
 - Ⓐ Piping tape
 - Ⓑ Refrigerant piping
 - Ⓒ Drain hose
- Make sure that the drain hose is not routed upward and that there are no waves in the hose.
- Do not pull the drain hose, and then wrap tape around it.
- Route the piping so that it does not project past the rear of the indoor unit. (Refer to the figure to the left.)
 - Ⓓ Piping bent outward
 - Ⓔ Push

6. Embedding the indoor unit in a wall

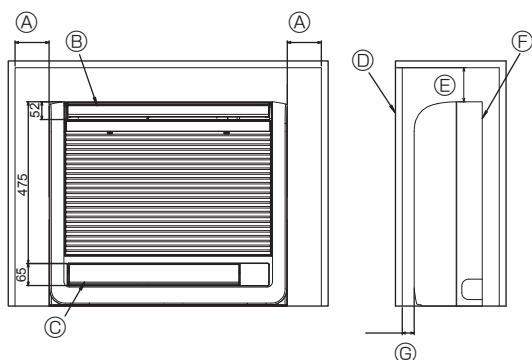


Fig. 6-1

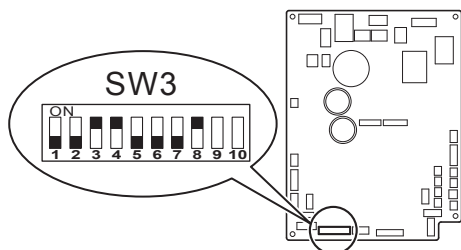


Fig. 6-2

6.1. Embedding the indoor unit in a wall (Fig. 6-1)

- On the indoor unit and right and left space (100 mm or more) are the service space.
- On a right side of the indoor unit, there is a hole for the room temperature sensor, and do not close it, please.
- When installing a grating, use a grating with narrow upper and lower horizontal bars so that the airflow from the upper and lower air outlets does not contact the bars. If the horizontal bars will block the lower air outlet, use a stand, etc., to adjust the height of the indoor unit. If the upper or lower air outlet is blocked, the air conditioner will not be able to cool or warm the room well.
- Use a grating with vertical bars, etc., that has at least 75% open area. If the grating has horizontal bars or if the open area is less than 75%, performance could be reduced.
- When the indoor unit is embedded in a wall (built-in), the time it takes for the room temperature to reach the set temperature will increase.
 - Ⓐ 100 mm or more
 - Ⓑ Upper air outlet
 - Ⓒ Lower air outlet
 - Ⓓ Grating
 - Ⓔ 100 mm or more
 - Ⓕ Indoor unit
 - Ⓖ 35 mm or more

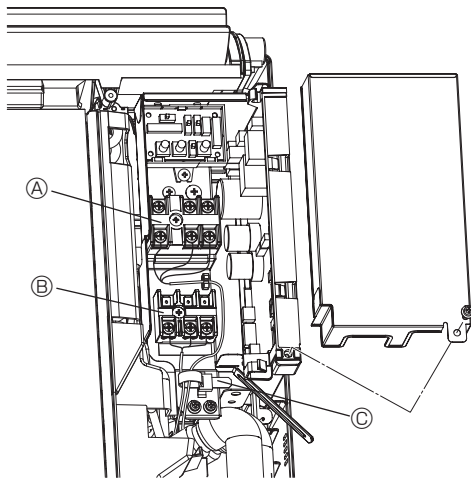
6.2. Embedded indoor unit setting (must be performed) (Fig. 6-2)

- When embedding the indoor unit in a wall, restrict the movement of the horizontal vane for the upper air outlet so that it only operates horizontally.
- If this setting is not performed, heat will build up in the wall and the room will not be cooled or warmed properly.
- Remove the electrical part cover and pull out the control board.
- Set DIP switches 3-5 and 3-6 on the control board to ON.
- After setting the switches, reinstall the control board in its original position and install the electrical part cover.

⚠ Caution:

To avoid damage to the control board due to static electricity, be sure to discharge the static buildup before handling it.

7. Electrical work



- Ⓐ Power supply terminal block (TB2)
- Ⓑ Transmission terminal block (TB5)
- Ⓒ Wiring clamp

Fig. 7-1

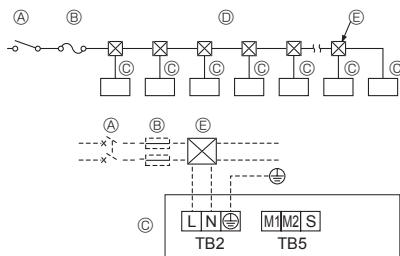


Fig. 7-2

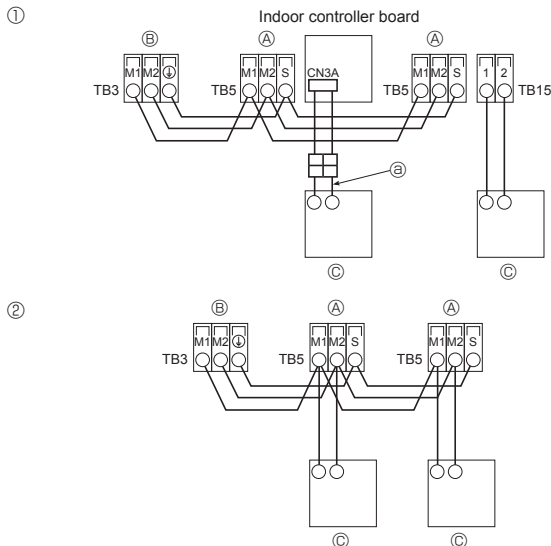


Fig. 7-3

7.1. Indoor unit (Fig. 7-1)

- ① **Remove the electrical cover.**
 - Remove 1 screw holding the electrical cover, then move the cover.
 - Remove 1 screw holding the cord clamp, then move the clamp.
- ② **Connect the power line, control line from the outdoor unit, and remote control lines.**

After connecting, secure the wires with the cord clamp.

► **Fix power source wiring to control box using buffer bushing for tensile force. (PG connection or the like.)**

 - Since the electric box may need to be pulled out for servicing or other occasions, wires must have enough slack.
 - Class 3 grounding work must be conducted (grounding wire diameter: 1.6 mm or more)

After wiring is completed, reinstall the parts in the reverse order of removal.

7.2. Power supply wiring

- Wiring size must comply with the applicable local and national codes.
 - Install an earth line longer than other cables.
 - Power supply codes of appliance shall not be lighter than design 60245 IEC 53 or 60227 IEC 53.
 - A switch with at least 3 mm contact separation in each pole shall be provided by the air conditioner installation.
- Power cable size : more than 1.5mm² (3-core)

⚠ Warning:

Never splice the power cable or the indoor-outdoor connection cable, otherwise it may result in a smoke, a fire or communication failure.

► Use earth leakage breaker (NV).

For breaker, means shall be provided to ensure disconnection of all active phase conductors of the supply.

⚠ Warning:

Wiring should be done so that the power lines are not subject to tension. Otherwise, heat may be generated or fire may occur.

[Fig. 7-2]

- Ⓐ Switch 16 A
- Ⓑ Overcurrent protection 16 A
- Ⓒ Indoor unit
- Ⓓ Total operating current be less than 16 A
- Ⓔ Pull box

7.3. Types of control cables

1. Wiring transmission cables

Types of transmission cable	Shielding wire CVVS or CPEVS
Cable diameter	More than 1.25 mm ²
Length	Less than 200m

2. M-NET Remote control cables

Types of remote control cable	Shielding wire MVVS
Cable diameter	0.5 to 1.25 mm ²
Length	Add any portion in excess of 10m to within the longest allowable transmission cable length 200m

3. MA Remote control cables

Types of remote control cable	2-core cable (unshielded)
Cable diameter	0.3 to 1.25 mm ²
Length	Less than 200m

7.4. Connecting remote controller, indoor and outdoor transmission cables (Fig. 7-3)

- Connect indoor unit TB5 and outdoor unit TB3. (Non-polarized 2-wire)
 - The "S" on indoor unit TB5 is a shielding wire connection. For specifications about the connecting cables, refer to the outdoor unit installation manual.
- Install a remote controller following the manual supplied with the remote controller.
- Connect the remote controller's transmission cable within 10 m using a 0.75 mm² core cable. If the distance is more than 10 m, use a 1.25 mm² junction cable.
- ① MA Remote controller
 - Connect the connector for MA remote controller. (Non-polarized 2-wire)
 - DC 9 to 13 V between 1 and 2 (MA remote controller)
 - Ⓜ MA remote controller cable (ACCESSORY Ⓜ)
- ② M-NET Remote controller
 - Connect the "M1" and "M2" on indoor unit TB5 to a M-NET remote controller. (Non-polarized 2-wire)
 - DC 24 to 30 V between M1 and M2 (M-NET remote controller)
 - Ⓐ Terminal block for indoor transmission cable
 - Ⓑ Terminal block for outdoor transmission cable
 - Ⓒ Remote controller

7. Electrical work

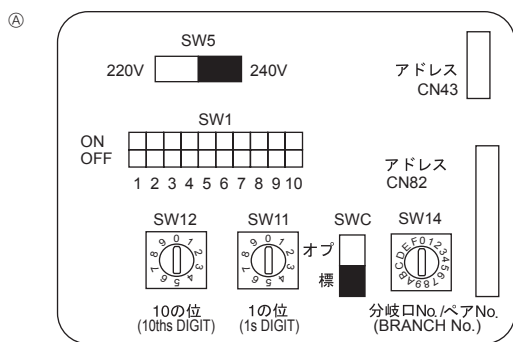


Fig. 7-4

7.5. Setting addresses (Fig. 7-4)

(Be sure to operate with the main power turned OFF.)

- There are 2 types of rotary switch setting available: setting addresses 1 to 9 and over 10, and setting branch numbers.

① How to set addresses

Example: If Address is "3", remain SW12 (for over 10) at "0", and match SW11 (for 1 to 9) with "3".

② How to set branch numbers SW14 (Series R2 only)

Match the indoor unit's refrigerant pipe with the BC controller's end connection number.

Remain other than series R2 at "0".

- The rotary switches are all set to "0" when shipped from the factory. These switches can be used to set unit addresses and branch numbers at will.
- The determination of indoor unit addresses varies with the system at site. Set them referring to the Data Book.

Note:

- Please set the switch SW5 according to the power supply voltage.
- Set SW5 to 240 V side when the power supply is 230 and 240 volts.
- When the power supply is 220 volts, set SW5 to 220 V side.

Ⓐ Address board

7.6. Sensing room temperature with the built-in sensor in a remote controller (Fig.7-4)

If you want to sense room temperature with the built-in sensor in a remote controller, set SW1-1 on the control board to "ON". The setting of SW1-7 and SW1-8 as necessary also makes it possible to adjust the air flow at a time when the heating thermometer is OFF.

8. Test run

8.1. Before test run

- ▶ After completing installation and the wiring and piping of the indoor and outdoor units, check for refrigerant leakage, looseness in the power supply or control wiring, wrong polarity, and no disconnection of one phase in the supply.
- ▶ Use a 500-volt megohmmeter to check that the resistance between the power supply terminals and ground is at least 1.0 MΩ.

- ▶ Do not carry out this test on the control wiring (low voltage circuit) terminals.

⚠ Warning:

Do not use the air conditioner if the insulation resistance is less than 1.0 MΩ.

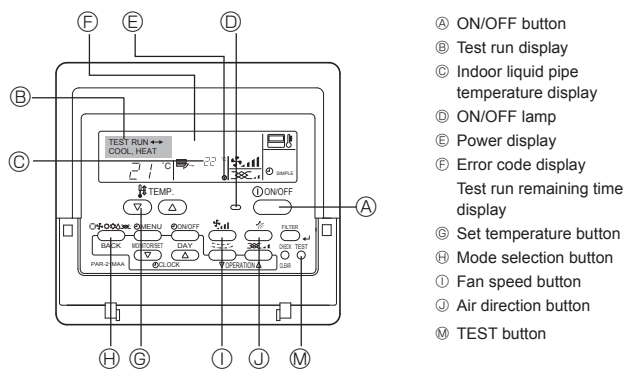


Fig. 8-1

8.2. Test run (Using wired remote controller) (Fig 8-1)

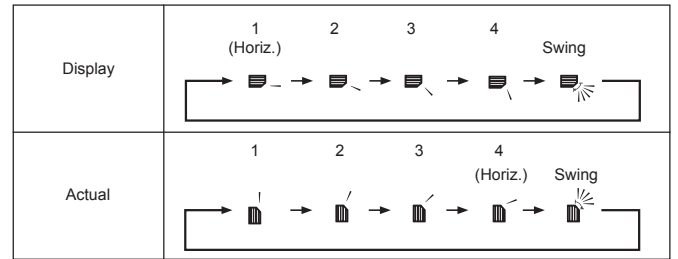
- ① Turn on the power at least 12 hours before the test run.
- ② Press the [TEST] button twice. ➡ "TEST RUN" liquid crystal display
- ③ Press the [Mode selection] button. ➡ Make sure that wind is blown out.
- ④ Press the [Mode selection] button and switch to the cooling (or heating) mode. ➡ Make sure that cold (or warm) wind is blown out.
- ⑤ Press the [Fan speed] button. ➡ Make sure that the wind speed is switched.
- ⑥ Check operation of the outdoor unit fan.
- ⑦ Release test run by pressing the [ON/OFF] button. ➡ Stop
- ⑧ Register a telephone number.

The telephone number of the repair shop, sales office, etc., to contact if an error occurs can be registered in the remote controller. The telephone number will be displayed when an error occurs. For registration procedures, refer to the operation manual for the indoor unit.

Note:

- If an error code is displayed on the remote controller or if the air conditioner does not operate properly, refer to the outdoor unit installation manual or other technical materials.
- The OFF timer is set for the test run to automatically stop after 2 hours.
- During the test run, the time remaining is shown in the time display.
- During the test run, the temperature of the indoor unit refrigerant pipes is shown in the room temperature display of the remote controller.
- When the VANE or LOUVER button is pressed, the message "NOT AVAILABLE" may appear on the remote controller display depending on the indoor unit model, but this is not a malfunction.
- For the PFFY-P-VKM series, the airflow direction displayed on the remote controller is different from the actual airflow direction. Refer to the following table.

8. Test run



- The lower air outlet damper automatically opens and closes according to the piping temperature, intake air temperature, and operation time. The airflow direction cannot be set.

9. Air outlet selection

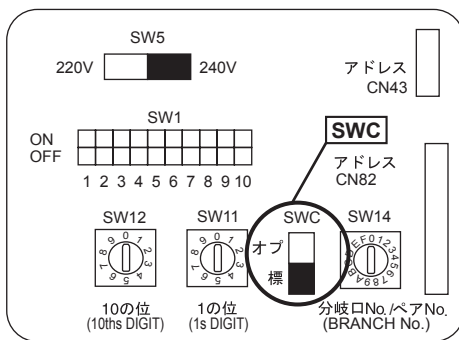


Fig. 9-1



With this function, air comes out simultaneously from the upper and lower air outlets so that the room can be cooled or heated effectively. This function is set using the switch SWC on the address board.

How to set to blow out air from the upper and lower air outlets:

- ▶ Set the SWC to lower side (“標”). (Initial setting)

Air blows out automatically from the upper and lower air outlets as shown in the table below.

How to set to blow out air from the upper air outlet only:

- ▶ Set the SWC to upper side (“オフ”).

Note:

Be sure to operate with the main power turned off.

Description of operation

Operation	COOL		DRY	HEAT		FAN
Air flow	 Upper and lower air flow	 Upper air flow	 Upper air flow only	 Upper and lower air flow	 Upper air flow	 Upper and lower air flow
Conditions	Room temperature and set temperature are different.	Room temperature is close to set temperature or thermo-off.	—	(Normal condition (in heating))	During defrosting operation, start of operation, thermo-off	—

- Be sure to keep the area around the damper of the lower air outlet free of any objects.

Содержание

1. Меры предосторожности.....	74	6. Встраивание внутреннего прибора в стену.....	78
2. Место установки.....	74	7. Электрические работы.....	79
3. Установка внутреннего прибора.....	75	8. Выполнение испытания.....	80
4. Труба хладагента.....	76	9. Переключение воздуховыпускных отверстий.....	81
5. Дренажные трубы.....	77		

Примечание:
В этом руководстве по использованию аппарата фраза “проводной пульт дистанционного управления” относится к пульту дистанционного управления PAR-21MAA.
Сведения о других пультах дистанционного управления приводятся в руководстве по установке или руководстве по начальным настройкам, находящемся в этих коробках.

1. Меры предосторожности

- ▶ До установки прибора убедитесь, что Вы прочли все “Меры предосторожности”.
- ▶ Пожалуйста, перед подключением данного оборудования к системе электропитания, сообщите об этом своему поставщику электропитания или получите его разрешение.

⚠ Предупреждение:
Описывает меры предосторожности, необходимые для предотвращения получения травмы или гибели пользователя.

⚠ Осторожно:
Описывает меры предосторожности, необходимые для предотвращения повреждения прибора.

После окончания установочных работ проинструктируйте пользователя относительно правил эксплуатации и обслуживания аппарата, а также ознакомьте с разделом “Мера предосторожности” в соответствии с информацией, приведенной в Руководстве по использованию аппарата, и выполните тестовый прогон аппарата для того, чтобы убедиться, что он работает нормально. Обязательно передайте пользователю на хранение экземпляры Руководства по установке и Руководства по эксплуатации. Эти Руководства должны быть переданы и последующим пользователям данного прибора.

- ⚠ Предупреждение:**
- Обратитесь к дилеру или квалифицированному технику для выполнения установки кондиционера воздуха.
 - Устанавливайте прибор в месте, способном выдержать его вес.
 - Используйте для проводки указанные кабели. Убедитесь, что кабели надежно соединены, а оконечные соединения не натянуты. Никогда не соединяйте кабели внахлест (если иное не указано в прилагаемой документации). Несоблюдение этих инструкций может привести к перегреву или возгоранию.
 - Используйте только те дополнительные принадлежности, на которые имеется разрешение от Mitsubishi Electric; для их установки обращайтесь к дилеру или уполномоченному специалисту по установке.
 - Не прикасайтесь к лопастям теплообменника.
 - При наличии повреждения в шнуре питания его следует заменить у производителя, или его сервисного представителя, или у лица аналогичной квалификации во избежание опасной ситуации.
 - Данное устройство необходимо устанавливать в соответствии с национальными правилами устройства электроустановок.
 - Устанавливайте кондиционер согласно инструкциям, приведенным в данном Руководстве по установке.

- ⚠ Осторожно:**
- При использовании хладагента R410A следует заменить установленные ранее трубы хладагента.
 - Используйте эфирное масло или алкилбензин (в небольших количествах) в качестве охлаждающего масла для смазывания раструбных и фланцевых трубных соединений при использовании хладагента R410A.
 - Не используйте кондиционер воздуха в местах содержания продуктов, домашних животных, растений, точных приборов или предметов искусства.
 - Не используйте кондиционер воздуха в особых условиях.

2. Место установки

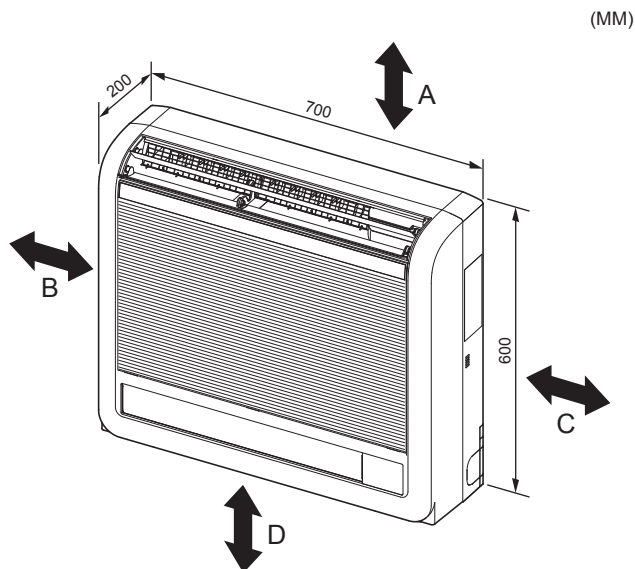


Fig. 2-1

- ⊘ : Указывает действие, которое следует избегать.
- ⚠ : Указывает на важную инструкцию.
- ⚡ : Указывает, что данная часть должна быть заземлена.
- ⚠ : Указывает на необходимость проявлять осторожность по отношению к вращающимся частям.
- ⚡ : Указывает на необходимость отключения главного выключателя перед проведением техобслуживания.
- ⚠ : Опасайтесь электрошока.
- ⚠ : Опасайтесь горячих поверхностей.
- ⚡ ELV : При проведении техобслуживания отключите электропитание как внутреннего, так и наружного прибора.
- ⚠ Предупреждение:**
Внимательно прочтите текст на этикетках главного прибора.

- Все электроработы должны выполняться квалифицированным электриком, имеющим соответствующую лицензию, в соответствии с местными нормативами.
- Если кондиционер установлен в небольшом помещении, необходимо принять меры для предотвращения концентрации хладагента свыше безопасных пределов в случае утечки хладагента.
- Вырубленные грани отпрессованных деталей могут нанести травмы - порезы и т.д. Просим установщиков надевать защитную одежду, например, перчатки и т.д.
- При монтаже или перемещении, а также при обслуживании наружного прибора используйте только указанный хладагент (R410A) для заполнения трубопроводов хладагента. Не смешивайте его ни с каким другим хладагентом и не допускайте наличия воздуха в трубопроводах. Наличие воздуха в трубопроводах может вызывать скачки давления, в результате которых может произойти взрыв или другие повреждения. Использование любого хладагента, отличного от указанного для этой системы, вызовет механическое повреждение, сбой в работе системы, или выход устройства из строя. В наихудшем случае, это может послужить серьезной преградой к обеспечению безопасной работы этого изделия.

- Заземлите прибор.
- Установите прерыватель цепи, если требуется.
- Используйте сетевой кабель достаточной мощности напряжения.
- Используйте прерыватель цепи и предохранитель указанной мощности.
- Не прикасайтесь к выключателям мокрыми руками.
- Не прикасайтесь к трубам хладагента во время работы и сразу после выключения прибора.
- Не используйте кондиционер воздуха, если его панели и крышки сняты.
- Не отключайте питание немедленно после выключения прибора.

Внутренний прибор должен поставляться в комплекте со следующими дополнительными принадлежностями:

НОМЕР ДЕТАЛИ	ПРИСПОСОБЛЕНИЕ	КОЛ-ВО
①	Дренажный шланг	1
②	Крышка трубы	1
③	Лента	2
④	Крепежный кронштейн внутреннего прибора	1
⑤	Крепежный винт для ④ 4 × 25 mm	5
⑥	Шуруп для крепления внутреннего прибора	4
⑦	Прокладка для ⑥	4
⑧	Войлочная лента (Используется для трубопроводов слева или справа сзади)	1
⑨	Кабель пульта дистанционного управления MA	1

2.1. Контурные габариты (Внутренний прибор) (Fig. 2-1)

Прибор необходимо надежно устанавливать на конструкции, способной выдержать его вес.

Модели	A	B	C	D
P20/25/32/40	100 мм или больше	100 мм или больше	100 мм или больше	150 мм или ниже от пола

⚠ Предупреждение:
Установите внутренний прибор на достаточно прочной стене, которая способна выдерживать его вес.

3. Установка внутреннего прибора

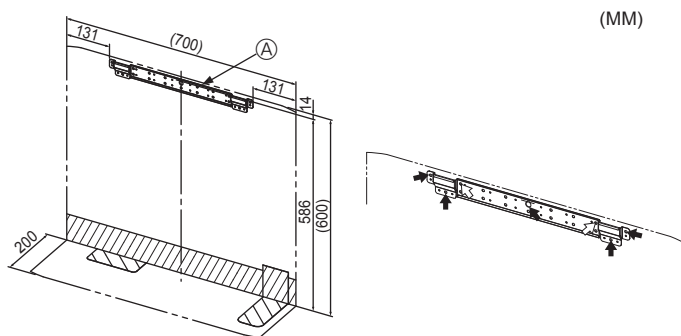


Fig. 3-1

Fig. 3-2

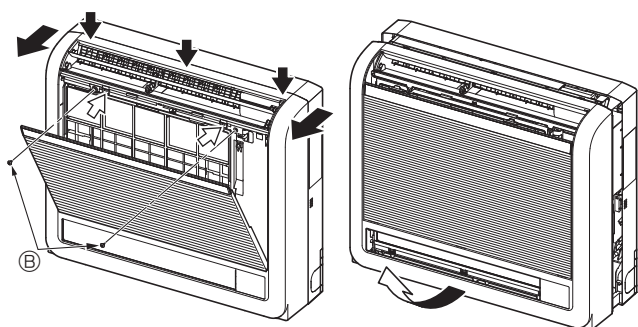


Fig. 3-3

Fig. 3-4

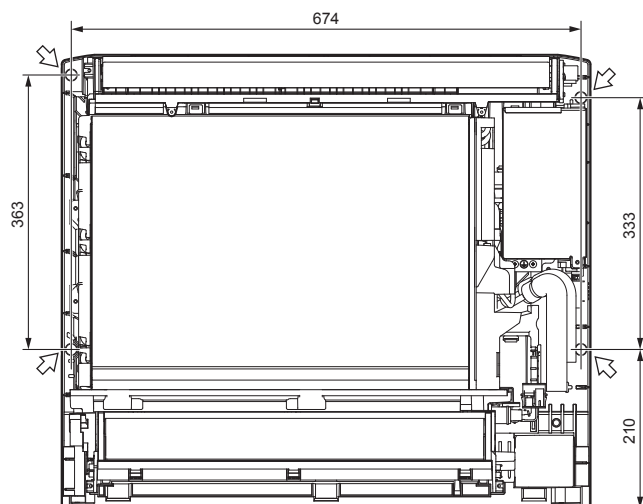


Fig. 3-5

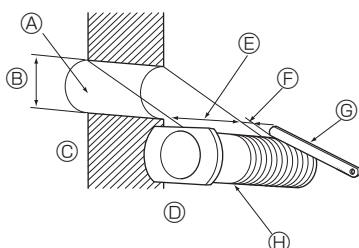


Fig. 3-6

1)

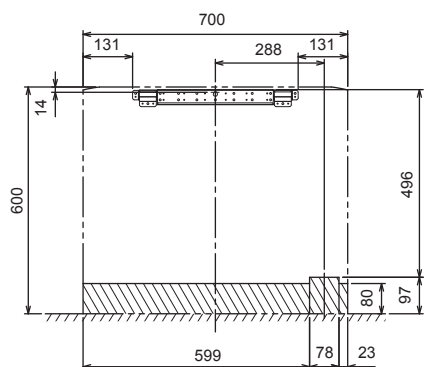


Fig. 3-7

3.1. Установка крепежного кронштейна внутреннего прибора

- Надежно прикрепите кронштейн к стенной конструкции (штифт и т.д.). (Fig. 3-1)
- Используйте уровень для горизонтальной установки крепежного кронштейна.
- Установите внутренний прибор на высоте 150 мм или ниже от пола.
 - Ⓐ Крепежный кронштейн внутреннего прибора

Примечание:

Для предотвращения небольшой вибрации крепежного кронштейна внутреннего прибора обязательно закрепите кронштейн в отверстиях, обозначенных символом \ominus . Кроме того, по возможности, закрепите кронштейн в отверстиях, обозначенных символом \oplus . (Fig. 3-2)

3.2. Подготовка внутреннего прибора

- 1) Надавите в 2-х местах, указанных стрелками \leftrightarrow , и откройте переднюю решетку. (Fig. 3-3)
- 2) Откройте горизонтальную лопатку верхнего отверстия для выпуска воздуха.
- 3) Откройте переднюю решетку и открутите два винта.
 - Ⓑ Винты
- 4) Поднимите переднюю решетку, чтобы снять ее. (Fig. 3-4)

3.3. Установка внутреннего прибора (Fig. 3-5)

- Наденьте верхнюю часть внутреннего прибора на крепежный кронштейн внутреннего прибора.
- Используя входящие в комплект поставки шурупы и прокладку, закрепите внутренний прибор в 2-х местах (\leftrightarrow) и в верхней, и в серединной частях прибора.

Примечание:

Надежно прикрепите внутренний прибор к стене, убедившись в отсутствии зазора между прибором и стеной.

3.4. Сверление отверстий в стене и в полу

3.4.1. Сверление отверстий (Fig. 3-6)

- 1) Прodelайте отверстия \varnothing 65 мм или 75 мм глубиной примерно 5-7 мм и с небольшим углом вниз по направлению наружу от помещения.
- 2) Вставьте втулки для стенных отверстий в отверстия.
 - Ⓐ Стенное отверстие
 - Ⓑ Диам. 65 мм или 75 мм.
 - Ⓒ Помещение
 - Ⓓ Поперечный разрез стенного отверстия
 - Ⓔ Толщина стены
 - Ⓕ Одно деление масштабной линейки
 - Ⓖ Отрежьте с припуском на 1 дополнительное деление масштабной линейки.
 - Ⓗ Втулка для стенного отверстия

⚠ Осторожно:

Обязательно используйте втулки для стенных отверстий. В противном случае провода соединения внутреннего/наружного приборов могут соприкоснуться с металлическим предметом в стене, или, в случае, если стены полые, небольшие грызуны могут прогрызть провода, что приведет к очень опасной ситуации.

3.4.2. Определение мест для отверстий

Места, в которых можно проложить трубопроводы, указаны на рисунке косыми линиями.

1) Для трубопроводов сзади или слева сзади (Fig. 3-7)

(Рисунок ниже представляет собой вид спереди места установки внутреннего прибора.)

3. Установка внутреннего прибора

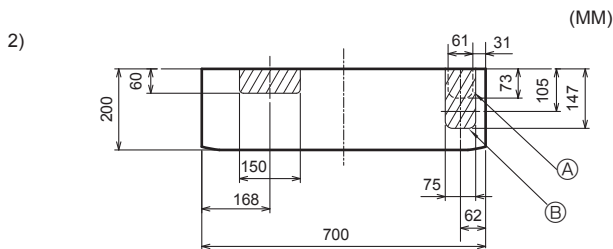


Fig. 3-8

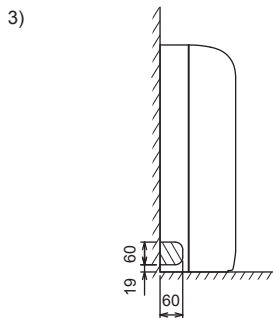


Fig. 3-9

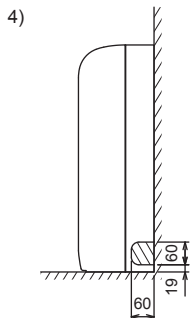


Fig. 3-10

2) Для трубопроводов справа по направлению вниз или слева по направлению вниз (Fig. 3-8)

(Рисунок ниже представляет собой вид нижней части внутреннего прибора, если смотреть сверху.)

- Ⓐ Если прибор устанавливается на стену.
- Ⓑ Если прибор устанавливается на пол.

3) Для левого трубопровода (Fig. 3-9)

4) Для правого трубопровода (Fig. 3-10)

3.4.3. Герметизация отверстий

Используйте шпаклевку или состав для конопачения, чтобы загерметизировать отверстия.

4. Труба хладагента

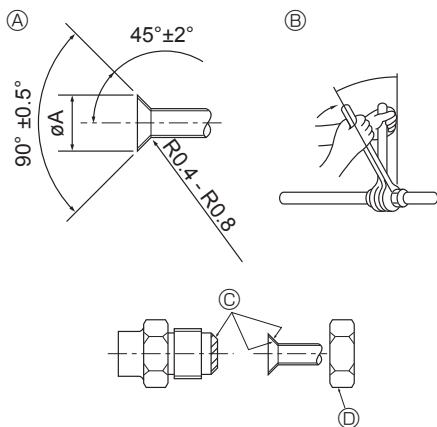


Fig. 4-1

4.1. Соединение труб (Fig. 4-1)

- При использовании медных труб, имеющихся в продаже, оберните трубы для жидкости и газа имеющимися в продаже изоляционными материалами (с теплозащитой от 100°C или выше, толщиной не менее 12 мм).
- Внутренняя часть дренажной трубы должна быть обернута в пенополиэтиленовый изолирующий материал (удельный вес 0,03; толщина 9 мм или более).
- Нанесите тонкий слой масла хладагента на контактную поверхность труб и соединений перед тем, как затягивать гайку с фланцем.
- Для затягивания трубных соединений используйте два гаечных ключа.
- Используйте прилагаемое трубное изоляционное покрытие для изоляции соединений внутреннего блока. Тщательно крепите изоляцию.

⚠ Предупреждение:

При установке прибора надежно подсоедините трубы подачи охлаждающей жидкости до запуска компрессора.

Ⓐ Раструбный стык - размеры

Медная труба O.D. (мм)	Размеры раструба, диаметр A (мм)
Ø6,35	8,7 - 9,1
Ø9,52	12,8 - 13,2
Ø12,7	16,2 - 16,6
Ø15,88	19,3 - 19,7
Ø19,05	23,6 - 24,0

Ⓑ Размеры труб хладагента и крутящий момент конусной гайки.

	R410A				Гайка раструбногo стыка O.D.	
	Труба для жидкости		Труба для газа		Труба для жидкости (мм)	Труба для газа (мм)
	Размер трубы (мм)	Момент затяжки (N·m)	Размер трубы (мм)	Момент затяжки (N·m)		
P20/25/32/40	O.D. Ø6,35 (1/4")	14 - 18	O.D. Ø12,7 (1/2")	49 - 61	17	26

Ⓒ Нанесите машинное масло охлаждения на всю поверхность области присоединения муфты.

* Запрещается наносить холодильное масло на места установки винтов. (Это повысит риск ослабления конусных гаек.)

Ⓓ Обязательно используйте конусные гайки, закрепленные на главном блоке. (При использовании гаек другого типа, имеющихся в продаже, могут появиться трещины.)

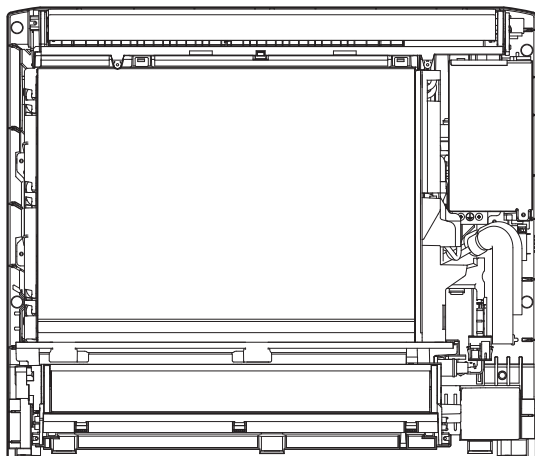


Fig. 4-2

4.2. Прокладка труб хладагента

4.2.1. Установка соединительной трубы

Установите соединительные трубы так, чтобы трубопровод можно было слегка двигать вперед, назад, влево и вправо. (Fig. 4-2)

4. Труба хладагента

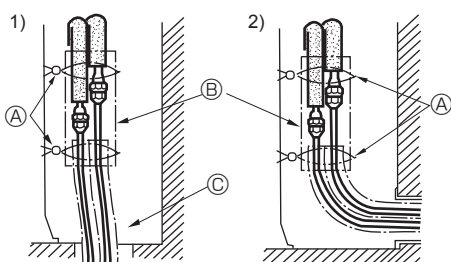


Fig. 4-3

Fig. 4-4

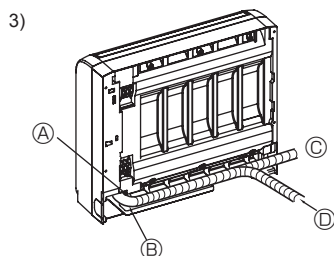


Fig. 4-5

Установка заподлицо к стене с формовкой

Для левого или правого трубопроводов

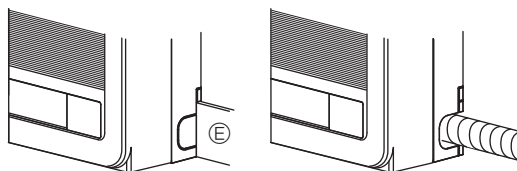


Fig. 4-6

1) Для трубопроводов справа по направлению вниз (Fig. 4-3)

2) Для других трубопроводов, кроме трубопровода справа по направлению вниз (Fig. 4-4)

- Ⓐ Ленты
- Ⓑ Крышки труб
- Ⓒ Снимите крышку.

• Обязательно заизолируйте соединительные трубы и расположите их около задней части внутреннего прибора, чтобы они не касались передней панели.

• Соблюдайте осторожность, чтобы не сломать соединительные трубы при сгибании.

3) Для трубопроводов слева или слева сзади (Fig. 4-5)

Свяжите соединительные трубы и дренажный шланг вместе, затем оберните их войлочной лентой.

- Ⓐ Убедитесь, что дренажный шланг не имеет уклона вверх.
- Ⓑ Войлочная лента

* Плотно оберните войлочную ленту вокруг труб и шланга, начиная примерно с того места, в котором трубы и шланг выходят из внутреннего прибора. (Ширина перехлеста войлочной ленты не должна превышать 1/2 ширины ленты.)

Ⓒ Начните оборачивать лентой для труб участок труб и шланга на расстоянии 10 мм внутри внутреннего прибора.

Ⓓ Закрепите конец войлочной ленты с помощью бандажной стяжки.

Вырежьте отверстия в нижних боковых панелях слева и справа внутреннего прибора, как показано ниже.

Отшлифуйте края обрезки боковых панелей, чтобы они не повредили изоляционное покрытие. (Fig. 4-6)

Ⓔ Сделайте вырезы в нижних боковых панелях с учетом соответствия формовке.

5. Дренажные трубы

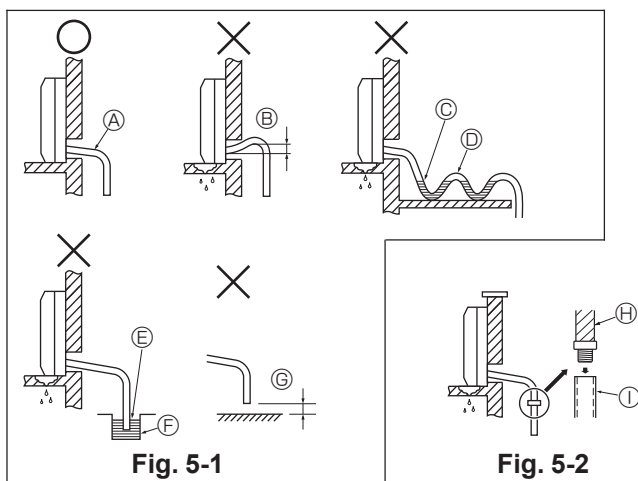


Fig. 5-1

Fig. 5-2

5.1. Дренажные трубы

• Обязательно расположите дренажный трубопровод под наклоном на 1% или больше, чтобы обеспечить легкость дренажного потока.

• Не прокладывайте дренажные трубы так, как показано в примерах, отмеченных "X" на рисунке. (Fig. 5-1)

• Если дренажный шланг слишком короткий, см. Fig. 5-2, чтобы нарастить длину шланга.

• Если внутренний прибор установлен в высоком месте, например, в квартире на верхнем этаже, сильный ветер может привести к тому, что дренажная вода будет течь в обратном направлении через дренажный шланг и вытекать из прибора. При необходимости, свяжитесь с ближайшим представителем Mitsubishi Electric для приобретения дополнительных деталей с целью предотвращения данной проблемы.

• Если дренажный шланг прокладывается внутри помещения, обязательно оберните его имеющимся в продаже изоляционным материалом.

• Не подсоединяйте дренажный трубопровод непосредственно к отстойнику, фановому баку и т.д., где образуются газообразный аммиак и сероводород.

• Если дренажный шланг провисает, или если конец дренажного шланга поднят, это может препятствовать ровному потоку дренажной воды, и в шланге может накопиться некоторое количество воды. Это может привести к появлению странного звука (бурления) при сильном ветре или при работе вентилятора в помещении с хорошей изоляцией. При необходимости, свяжитесь с ближайшим представителем Mitsubishi Electric для приобретения дополнительных деталей с целью предотвращения данной проблемы.

- Ⓐ Уклон вниз
- Ⓑ Уклон вверх запрещен
- Ⓒ Накопление дренажной воды
- Ⓓ Воздух
- Ⓔ Конец дренажного шланга погружен в воду.
- Ⓕ Дренажный канал
- Ⓖ 50 мм или меньше от земли
- Ⓗ Дренажный шланг
- Ⓘ Фиксируемый ПВХ шланг (внутренний диаметр: 15 мм) или жесткая ПВХ труба (VP-15)

• При прокладке дренажного трубопровода, убедитесь, что дренажный шланг проложен в соответствии с рисунком. (Fig. 5-3)

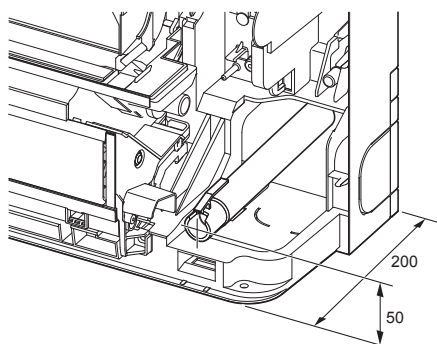


Fig. 5-3

5. Дренажные трубы

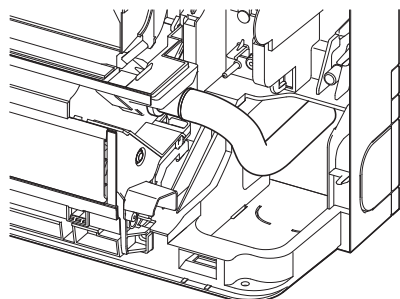


Fig. 5-4

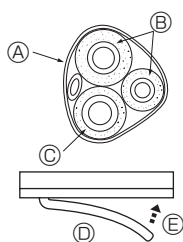


Fig. 5-5

- Вставьте дренажный шланг полностью до основания дренажного поддона. (Fig. 5-4) Убедитесь, что дренажный шланг надежно закреплен в проекции отверстия в дренажном поддоне.

- Проложите дренажный шланг по диагонали под соединительными трубами. (Fig. 5-5)
 - Ⓐ Лента для трубопровода
 - Ⓑ Трубопровод хладагента
 - Ⓒ Дренажный шланг
- Убедитесь, что дренажный шланг не проложен по направлению вверх, и что в нем нет изгибов.
- Не тяните за дренажный шланг и оберните его лентой.
- Проложите трубопровод так, чтобы он не выдавался за заднюю часть внутреннего прибора. (См. рисунок слева.)
 - Ⓓ Трубопровод с изгибом наружу
 - Ⓔ Надавите

6. Встраивание внутреннего прибора в стену

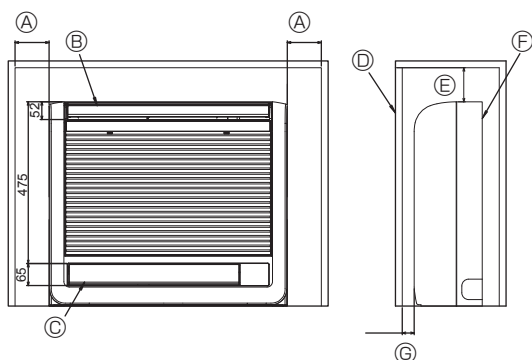


Fig. 6-1

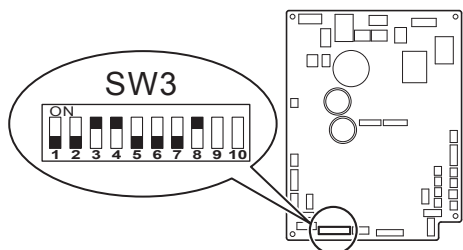


Fig. 6-2

6.1. Встраивание внутреннего прибора в стену (Fig. 6-1)

- Пространство на внутреннем приборе и справа и слева (100 мм или более) являются пространством для обслуживания.
- На правой стороне внутреннего прибора есть отверстие для датчика температуры в помещении, не закрывайте его, пожалуйста.
- При установке решетки, используйте решетку с узкими верхними и нижними горизонтальными стержнями, чтобы поток воздуха из верхнего и нижнего отверстий для выпуска воздуха не соприкасался со стержнями. Если горизонтальные стержни будут блокировать нижнее отверстие для выпуска воздуха, используйте стойку и т.д. для регулировки высоты внутреннего прибора. Если верхнее или нижнее отверстие для выпуска воздуха будут заблокированы, кондиционер не сможет обеспечить надлежащее охлаждение или нагрев помещения.
- Используйте решетку с вертикальными стержнями и т.д., открытая площадь которой составляет не менее 75%. Если в решетке имеются горизонтальные стержни, или если открытая площадь составляет менее 75%, это может привести к снижению производительности.
- Если внутренний прибор встроен в стену (вмонтирован), время необходимое для достижения заданной температуры в помещении увеличится.
 - Ⓐ 100 мм или больше
 - Ⓑ Верхнее отверстие для выпуска воздуха
 - Ⓒ Нижнее отверстие для выпуска воздуха
 - Ⓓ Решетка
 - Ⓔ 100 мм или больше
 - Ⓕ Внутренний прибор
 - Ⓖ 35 мм или больше

6.2. Настройка встроенного внутреннего прибора (выполнить обязательно) (Fig. 6-2)

- При встраивании внутреннего прибора в стену, ограничьте перемещение горизонтальной лопатки верхнего отверстия для выпуска воздуха, чтобы она работала только в горизонтальном направлении.
- Если данную настройку не осуществить, в стене будет накапливаться тепло, а помещение не будет надлежащим образом охлаждаться или нагреваться.
- Снимите крышку электрической части и вытяните панель управления.
- Установите двухрядные переключатели 3-5 и 3-6 на панели управления в положение ON.
- После установки переключателей, поставьте панель управления на место и установите крышку электрической части.

⚠ Осторожно:
Для предотвращения панели управления статическим электричеством обязательно разрядите накопившееся статическое электричество перед началом работы с ним.

7. Электрические работы

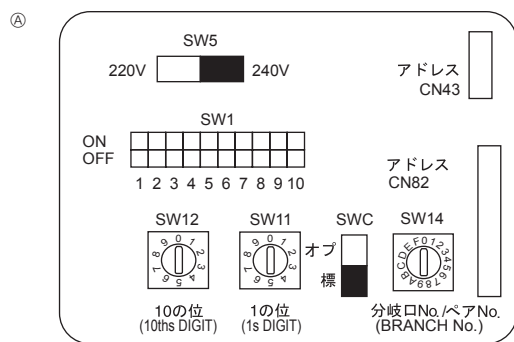


Fig. 7-4

7.5. Установка адресов (Fig. 7-4)

(Убедитесь, что при выполнении этой работы подача электроэнергии отключена.)
 • Имеются два способа установки поворотного переключателя: установка адресов от 1 до 9 и свыше 10, и установка номеров ветвей.

① Установка адресов

Пример: Если адрес "3", оставьте SW12 (для свыше 10) на "0" и сопоставьте SW11 (для 1 – 9) с "3".

② Как установить номера отделений SW14 (Только для серии R2)

Номер ветвей, присвоенный каждому внутреннему прибору представляет собой номер порта контроллера двоичного кода, к которому подключен внутренний прибор. Оставьте значение "0" на установках, отличных от серии R2.

- Все поворотные переключатели настраиваются на заводе на "0". Эти переключатели могут использоваться для задания адресов и номеров ответвлений труб по желанию.
- Определение адресов внутреннего прибора меняется при нахождении системы на сборочной площадке. Установите их с помощью справочника.

Примечание:

Устанавливайте переключатели SW5 в соответствии с напряжением питания.

- Установите SW5 на сторону 240 В, если питание имеет напряжение 230 и 240 вольт.
- Если напряжение питания 220 вольт, установите SW5 на сторону 220 В.

④ Адресный щит

7.6. Определение температуры в помещении встроенным датчиком пульта дистанционного управления (Fig.7-4)

Если Вы желаете определять температуру в помещении с помощью датчика, встроенного в пульт дистанционного управления, установите SW1-1 на щите управления в положение "ВКЛ". При необходимости установка SW1-7 и SW1-8 также дает возможность для регулирования потока воздуха в то время, когда термометр показаний нагрева ОТКЛЮЧЕН.

8. Выполнение испытания

8.1. Перед пробным прогоном

- ▶ После завершения установки, прокладки труб и электропроводки внутреннего и наружного приборов проверьте отсутствие утечки хладагента, слабых соединений кабеля питания или проводов управления и неправильной полярности, а также убедитесь, что все фазы питания подключены.
- ▶ Измерьте сопротивление между терминалами источника электропитания и заземлением с использованием 500-вольтного меггера и убедитесь, что сопротивление составляет не менее 1,0 MΩ.

- ▶ Запрещается выполнять этот замер на терминалах проводах управления (цепь низкого напряжения).

⚠ Предупреждение:

Не пользуйтесь кондиционером воздуха, если сопротивление изоляции ниже 1,0 MΩ.

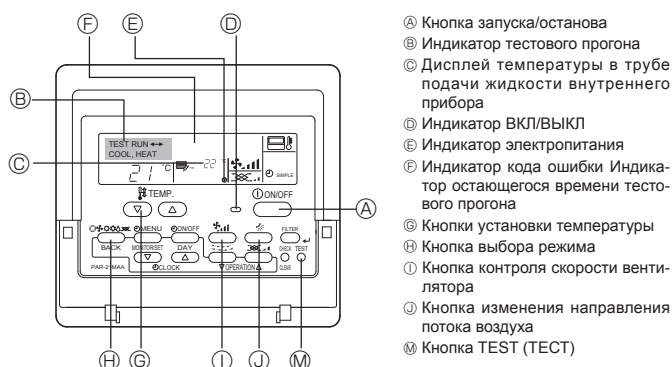


Fig. 8-1

- Ⓐ Кнопка запуска/останова
- Ⓑ Индикатор тестового прогона
- Ⓒ Дисплей температуры в трубе подачи жидкости внутреннего прибора
- Ⓓ Индикатор ВКЛ/ВЫКЛ
- Ⓔ Индикатор электропитания
- Ⓕ Индикатор кода ошибки Индикатор остающегося времени тестового прогона
- Ⓖ Кнопки установки температуры
- Ⓗ Кнопка выбора режима
- Ⓙ Кнопка контроля скорости вентилятора
- Ⓚ Кнопка изменения направления потока воздуха
- Ⓛ Кнопка TEST (ТЕСТ)

8.2. Выполнение испытания

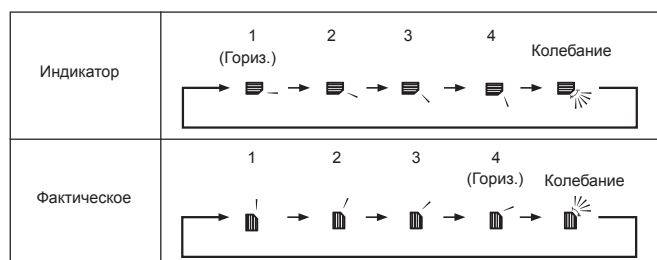
(Использование проводного пульта дистанционного управления) (Fig. 8-1)

- 1 Включите питание по крайней мере за 12 часов до начала пробного прогона.
- 2 Дважды нажмите кнопку [TEST]. ➔ "TEST RUN" на ЖК-дисплее
- 3 Нажмите кнопку [Mode selection] (Выбор режима) и переключитесь на режим охлаждения (или обогрева). ➔ Убедитесь в том, что выдувается холодный (или теплый) воздух.
- 4 Нажмите кнопку [Fan speed] (Скорость воздушного потока). ➔ Убедитесь в том, что скорость воздушного потока переключилась.
- 5 Нажмите кнопку изменения направления потока воздуха или кнопку управления решеткой.
➔ Проверьте работоспособность заслонки.
- 6 Проверьте работу вентилятора наружного прибора.
- 7 Выключите пробный прогона нажатием кнопки [ON/OFF]. ➔ Стоп
- 8 Введите телефонный номер.
Телефонный номер ремонтной мастерской, отдела продаж и т.д., по которому можно связаться при появлении ошибки, необходимо записать в пульт дистанционного управления. Телефонный номер отобразится при возникновении ошибки. Процедуры ввода приводятся в руководстве по эксплуатации внутреннего прибора.

Примечание:

- Если на пульте дистанционного управления отображается код ошибки или кондиционер работает неправильно, см. руководство по установке наружного блока или другие технические материалы.
- Таймер выключения (OFF) настроен на автоматическое завершение пробного прогона через 2 часа.
- Во время пробного прогона на дисплее отображается оставшееся время.
- Во время пробного прогона на дисплее температуры в помещении на пульте дистанционного управления отображается температура труб хладагента внутреннего блока.
- Возможно, при нажатии кнопки VANE или LOUVER на дисплее пульта дистанционного управления появится сообщение "NOT AVAILABLE" (ОТСУТСТВУЕТ). Это зависит от модели внутреннего блока и не является неисправностью.
- Для серии PFFY-P-VKM направление воздушного потока, отображаемое на пульте дистанционного управления, отличается от фактического направления воздушного потока. См. следующую таблицу.

8. Выполнение испытания



- Направление воздушного потока для демпфера нижних воздуховыпускных отверстий установить невозможно. Направление воздушного потока автоматически контролируется компьютером.

9. Переключение воздуховыпускных отверстий

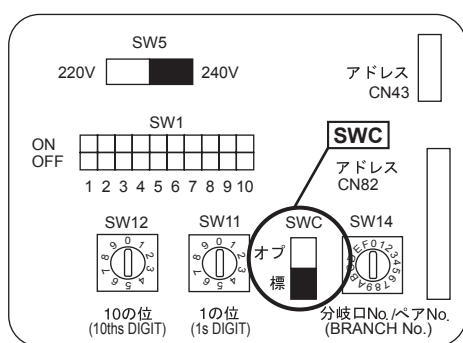


Fig. 9-1



При использовании данной функции воздух выходит одновременно из верхнего и нижнего воздуховыпускных отверстий для обеспечения эффективного охлаждения или обогрева помещения. Данная функция устанавливается с помощью переключателя SWC на адресном щите.

Как задать подачу воздуха из верхнего и нижнего выходных воздушных отверстий:

- ▶ Установите SWC в нижнее положение ("標"). (Заводская настройка) Воздух подается автоматически из верхнего и нижнего выходных воздушных отверстий, как показано в таблице ниже.

Как задать подачу воздуха только из верхнего выходного воздушного отверстия:

- ▶ Установите SWC в верхнее положение ("オフ").

Примечание:
Обязательно выполняйте данную операцию при отключенном электропитании.

Описание работы

Работа	RAFFREDDAMENTO	DEUMIDIFICAZIONE	RISCALDAMENTO	VENTILATORE	
Поток воздуха	 Верхний и нижний поток воздуха	 Верхний поток воздуха	 Только верхний поток воздуха	 Верхний и нижний поток воздуха	 Верхний и нижний поток воздуха
Условия	Температура в помещении и заданная температура отличаются.	Температура в помещении почти соответствует заданной температуре или термоотключению.	—	(Нормальное состояние (при обогреве)) В режиме размораживания, в начале работы, в режиме термоотключения	—

- Обязательно проследите, чтобы вокруг демпфера и нижнего выходного воздушного отверстия не было каких-либо предметов.

This product is designed and intended for use in the residential,
commercial and light-industrial environment.

Importer:

Mitsubishi Electric Europe B.V.
Capronilaan 46, 1119 NS, Schiphol Rijk, The Netherlands

French Branch
25, Boulevard des Bouvets, 92741 Nanterre Cedex, France

German Branch
Mitsubishi-Electric-Platz 1, 40882 Ratingen, Germany

Belgian Branch
Autobaan 2, 8210 Loppem, Belgium

Irish Branch
Westgate Business Park, Ballymount, Dublin 24, Ireland

Italian Branch
Centro Direzionale Colleoni, Palazzo Sirio-Ingresso 1 Viale Colleoni 7, 20864 Agrate Brianza
(MB), Italy

Norwegian Branch
Gneisveien 2D, 1914 Ytre Enebakk, Norway

Portuguese Branch
Avda. do Forte, 10, 2799-514, Carnaxide, Lisbon, Portugal

Spanish Branch
Carretera de Rubi 76-80 - Apdo. 420 08173 Sant Cugat del Valles (Barcelona), Spain

Scandinavian Branch
Hammarbacken 14, P.O. Box 750 SE-19127, Sollentuna, Sweden

UK Branch
Travellers Lane, Hatfield, Herts., AL10 8XB, England, U.K.

Polish Branch
Krakowska 50, PL-32-083 Balice, Poland

MITSUBISHI ELECTRIC TURKEY ELEKTRİK ÜRÜNLERİ A.Ş.
Şerifali Mah. Kale Sok. No: 41 34775 Ümraniye, İstanbul / Turkey

MITSUBISHI ELECTRIC (RUSSIA) LLC
52, bld.1 Kosmodamianskaya Nab. 115054, Moscow, Russia

Please be sure to put the contact address/telephone number on
this manual before handing it to the customer.