

Air Conditioning Control System - Optional Parts Mounting Attachment (for wall surface)

Installation Manual

For distribution to dealers and contractors only
--



PAC-YG82TB-J

Contents

Safety precautions	16
1. Parts to be used	18
1-1. Package contents	18
1-2. Commercially available parts	18
1-3. External dimensions	19
2. General description of installation	20
3. Selecting the installation site	20
3-1. Required installation space	20
4. Installation	21
4-1. Preparation	21
4-2. Installation procedures	22
5. Maintenance	25
6. Electrical work	26

Safety precautions

- ▶ Thoroughly read the following safety precautions prior to installation.
- ▶ Observe these precautions carefully to ensure safety.
- ▶ After reading this manual, pass the manual on to the end user to retain for future reference.
- ▶ The user should keep this manual for future reference and refer to it as necessary. This manual should be made available to those who repair or relocate the units. Make sure that the manual is passed on to any future air conditioning system user.

 WARNING	: indicates a hazardous situation which, if not avoided, could result in death or serious injury.
 CAUTION	: indicates a hazardous situation which, if not avoided, could result in minor or moderate injury.

General precautions

WARNING

To reduce the risk of injury, electric shock, or fire, do not alter or modify the controller.

CAUTION

To reduce the risk of injury, electric shock, or malfunction, avoid contact with the sharp edges of certain parts.

To reduce the risk of injury, do not touch the burrs of the knockout holes.

To reduce the risk of injury, wear protective gear when working on the controller.

To reduce the risk of environmental pollution, consult your dealer for the proper disposal of the product.

Precautions for unit installation

WARNING

Properly dispose of the packing materials. Plastic bags pose a suffocation hazard to children.

Take appropriate safety measures against earthquakes to prevent the controller from causing injury.

To prevent injury, install the controller on a flat surface strong enough to support its weight.

! CAUTION

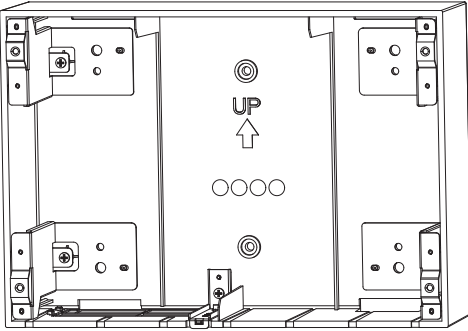
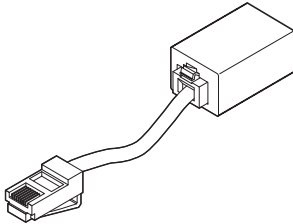
All installation work must be performed by qualified personnel in accordance with this manual. Improper installation may result in injury, electric shock, malfunction, or fire.

Precautions for electrical wiring**! CAUTION**

To reduce the risk of electric shock, malfunction, or fire, seal the gap between the cable and the end of the conduit tube with putty.

1. Parts to be used

1-1. Package contents

No.	Package contents	Shape	Qty.	Remarks
①	Mounting Attachment (for wall surface) (PAC-YG82TB-J)		1	
②	LAN extension cable		1	
③	Installation Manual	—	1	This manual

1-2. Commercially available parts

No.	Parts	Shape	Qty.	Remarks
①	ø4 screw	—	6	Required for wall-surface installation using screws. Use screws that are suitable for the wall type.
②	M6 screw	—	4	Required for wall-surface installation using molly anchors.

Note

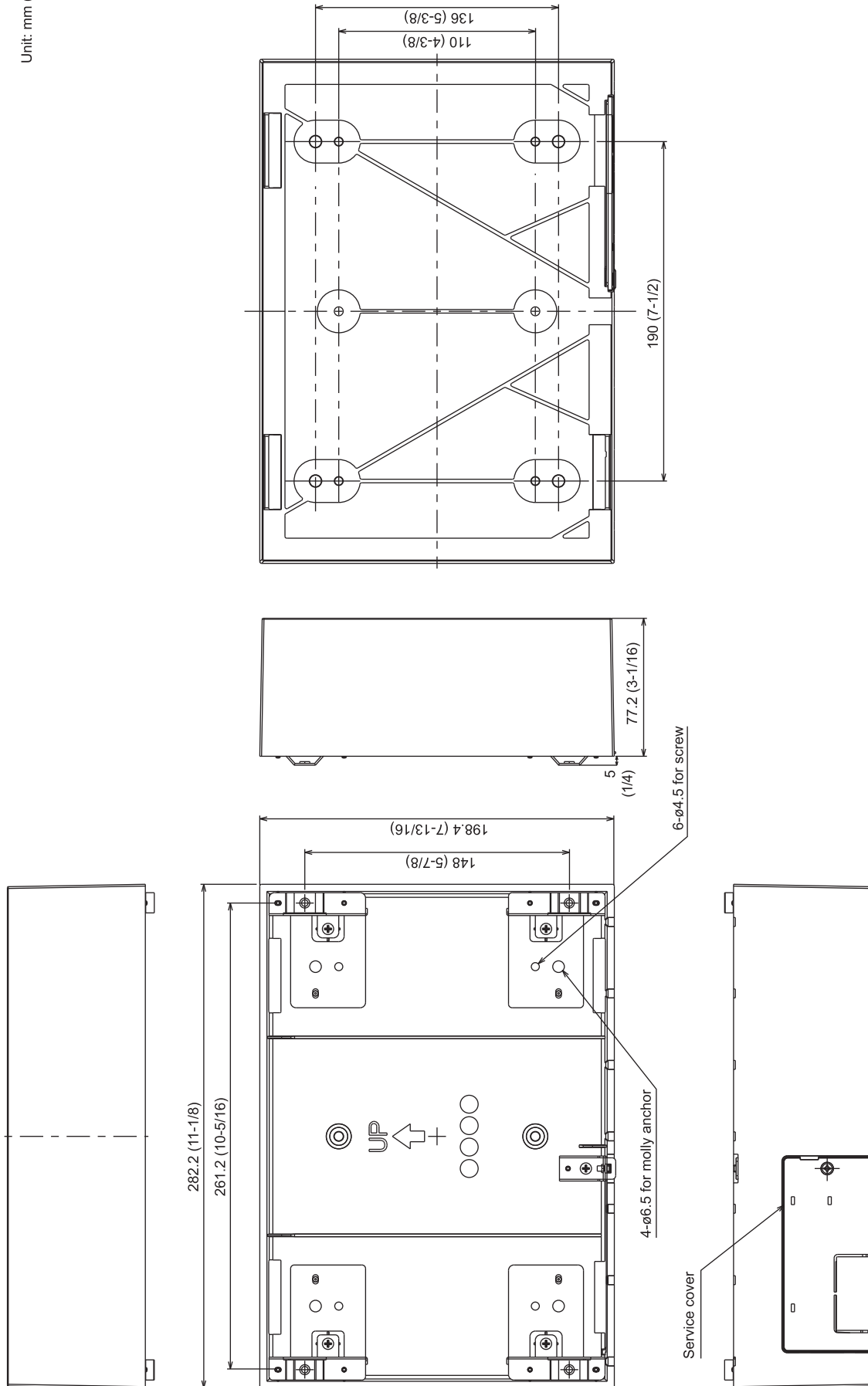
- The total weight of the AE-200/AE-50 and the Mounting Attachment is approximately 3.0 kg (6-5/8 lbs) . Check that the wall surface is strong enough to support the weight.

* Hereafter, AE-200A and AE-200E, unless otherwise specified, will be called "AE-200."

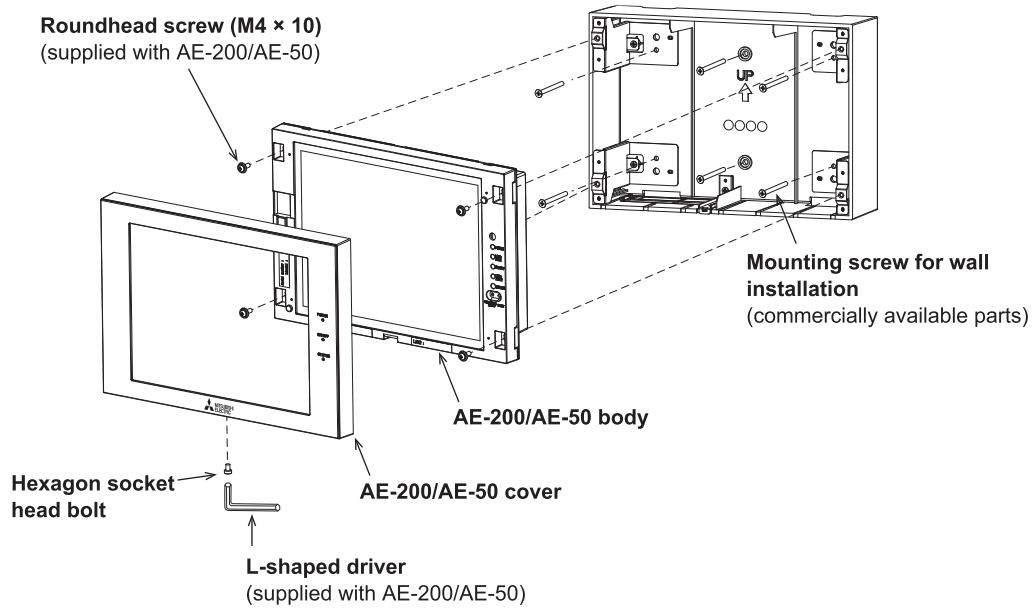
* Hereafter, AE-50A and AE-50E, unless otherwise specified, will be called "AE-50."

1-3. External dimensions

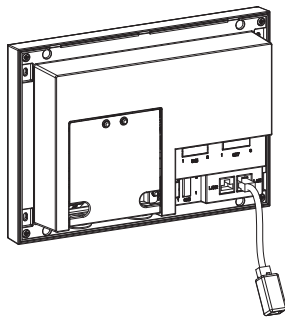
Unit: mm (in)



2. General description of installation



- If the controller is not always connected to the LAN, connect the supplied LAN extension cable to LAN1.

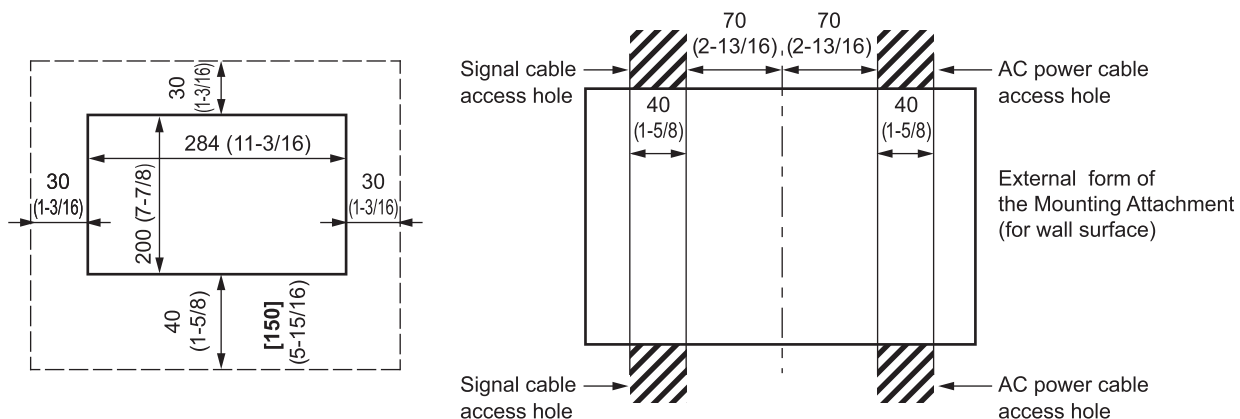


3. Selecting the installation site

3-1. Required installation space

[1] Required space around the AE-200/AE-50

Unit: mm (in)



* If the controller is not always connected to the LAN, the space indicated in the parentheses is required.

4. Installation

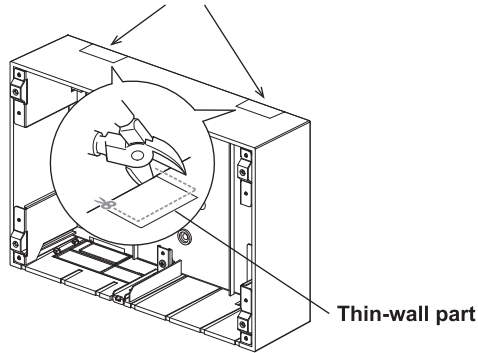
4-1. Preparation

Cables can be routed from either the top or the bottom.

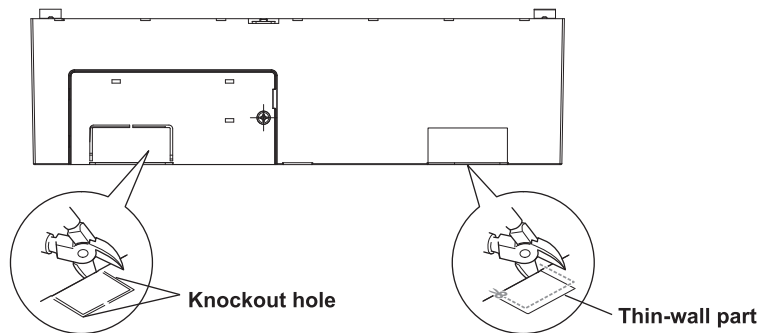
Procedures

1. Cut out the thin-wall part to make a cable access hole.

(a) When routing the cable from the top



(b) When routing the cable from the bottom

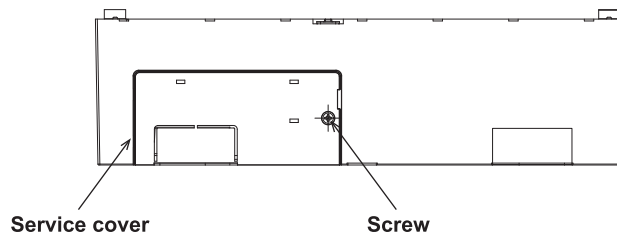


* After cutting out the cable access holes, sand the cut surface smooth.

To reduce the risk of injury, electric shock, or malfunction, avoid contact with the sharp edges of certain parts.

To reduce the risk of injury, do not touch the burrs of the knockout holes.

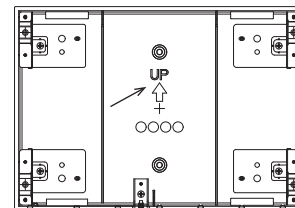
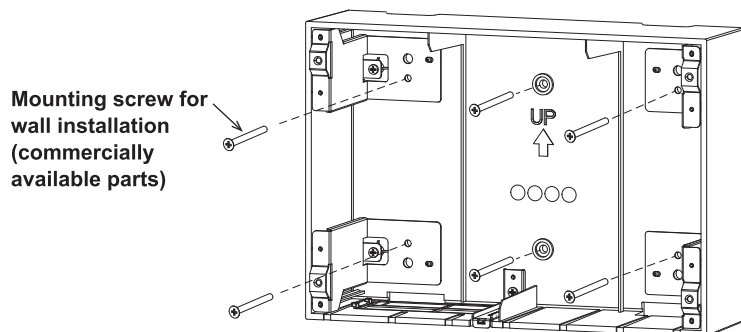
2. When the controller is not connected to the LAN and when the cables are routed from the bottom, unscrew the screw at the bottom and remove the service cover.



4-2. Installation procedures

Procedures

1. Attach the case on the wall.



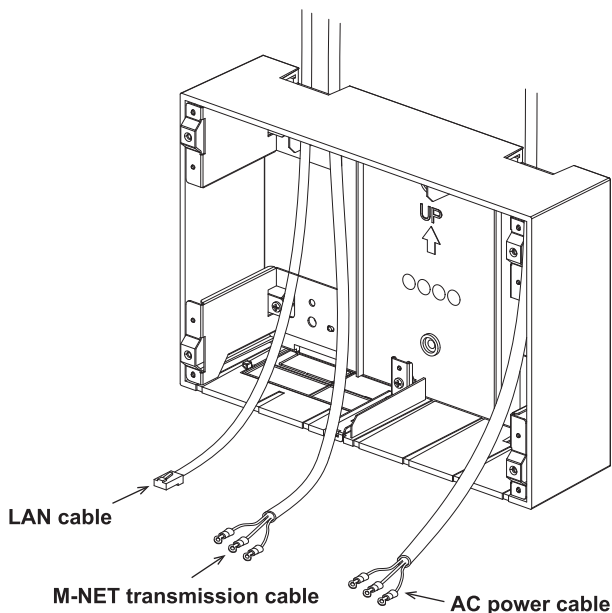
Orient the case correctly so that the mark "UP" engraved inside the case is upright.

* Use anchors for M6 when the case is fixed with anchor bolts.

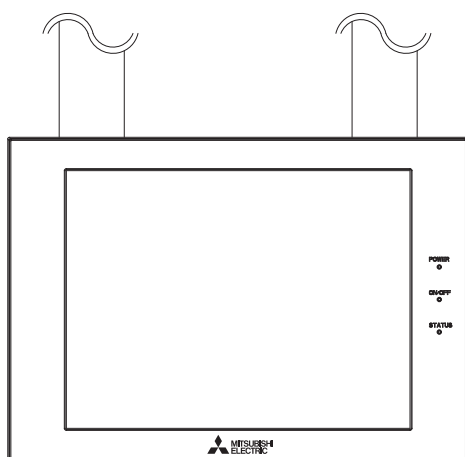
2. Route the cables through the cable holes.

* If the controller is not connected to the LAN, connect the supplied LAN extension cable to LAN1 for maintenance work.

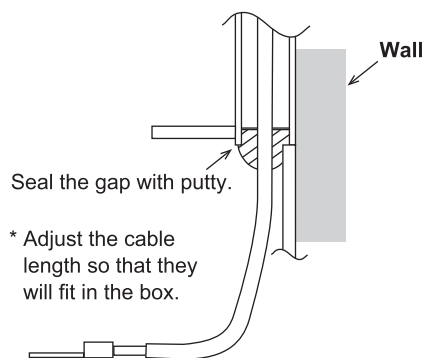
- (a) When routing the cable from the top



* The figure shows the example when both M-NET transmission cable and LAN cable are used.



When routing the cable from the top



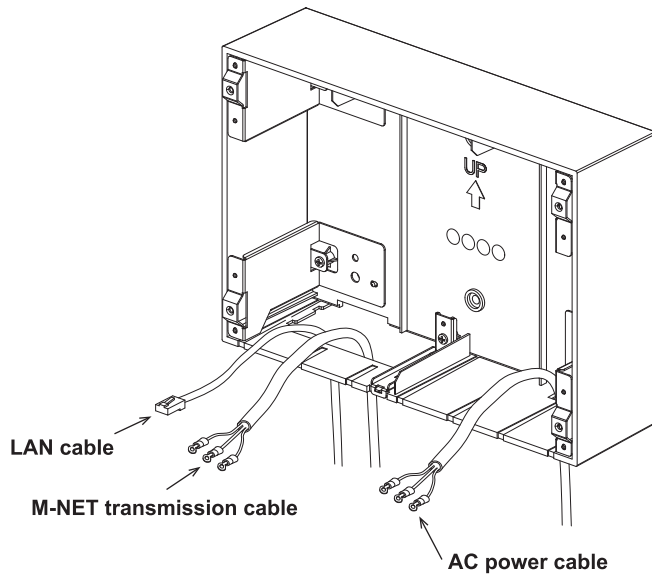
* Adjust the cable length so that they will fit in the box.

M-NET transmission cable or AC power cable etc.

Note

- To reduce the possibility of the malfunction of electrical circuit caused by electrical interference noises, do not place the AC power cable and the signal cable in the same conduit.

(b) When routing the cable from the bottom

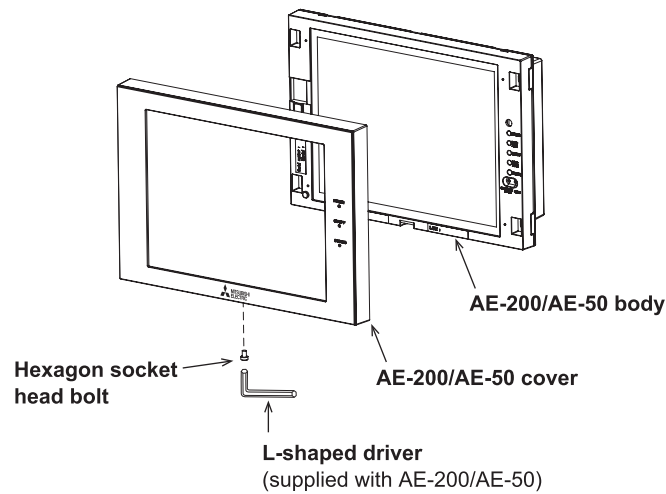


* The figure shows the example when both M-NET transmission cable and LAN cable are used.

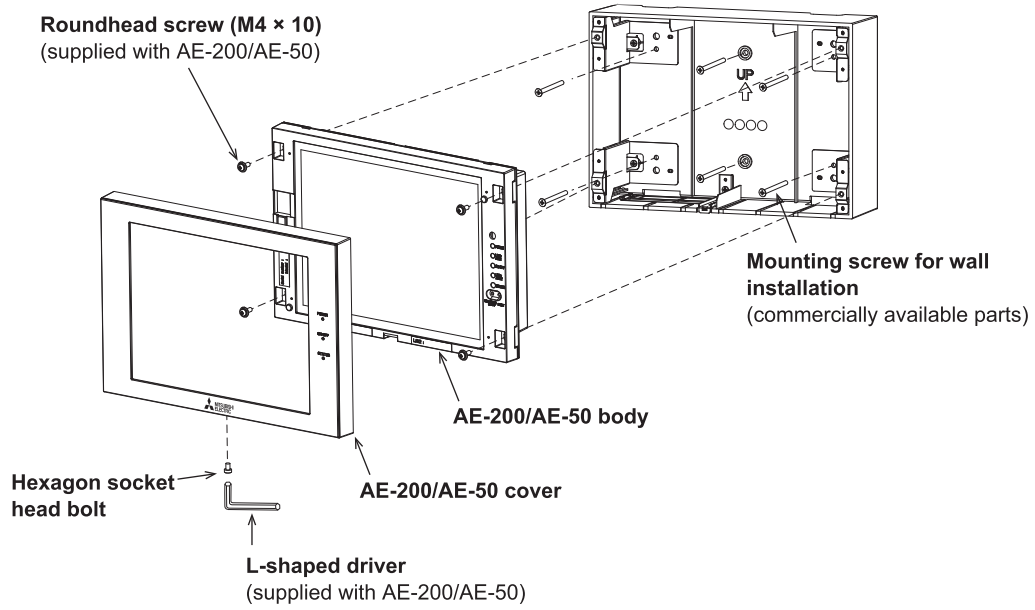
Note

- To reduce the possibility of the malfunction of electrical circuit caused by electrical interference noises, do not place the AC power cable and the signal cable in the same conduit.

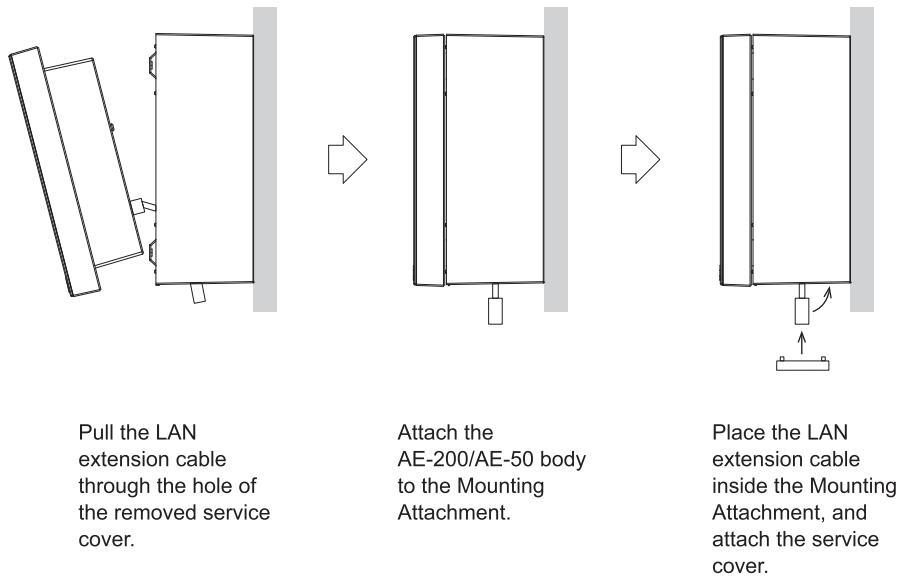
3. Remove the cover from the AE-200/AE-50



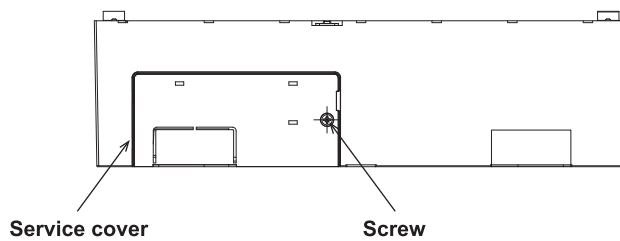
4. Connect the cables to the AE-200/AE-50, and attach the AE-200/AE-50 to the Mounting Attachment.



- When using a LAN extension cable

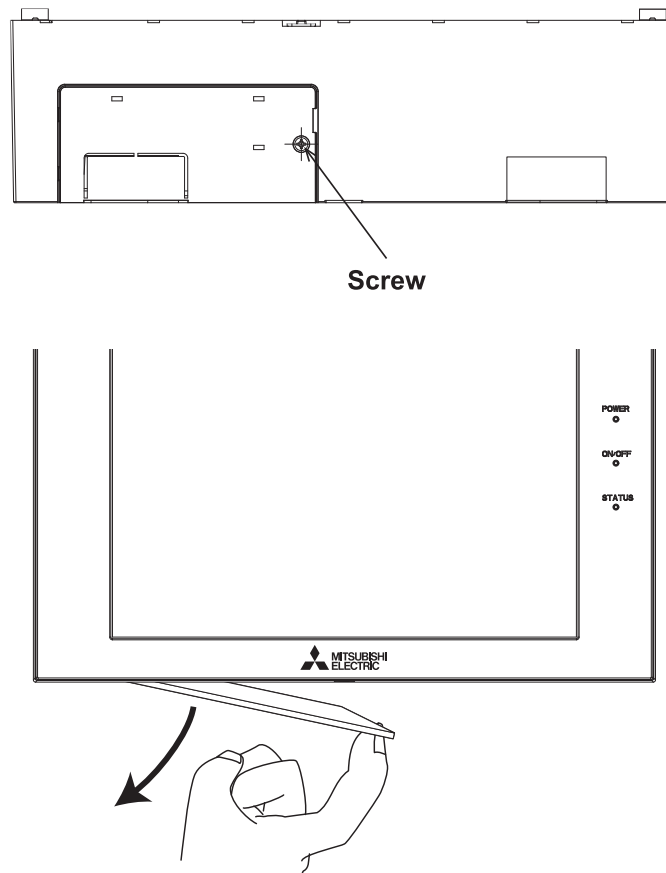


- When routing the cable from the bottom
Attach the service cover.



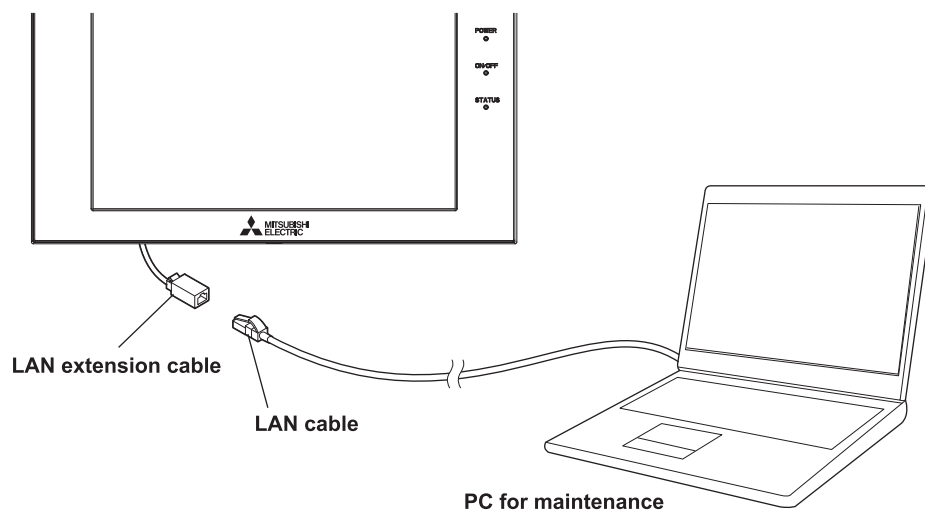
5. Maintenance

When performing maintenance, if the controller is not always connected to the LAN, remove the cover at the bottom, pull the LAN extension cable, and connect it to the PC for maintenance.



Note

- The cover can be easily removed. Use caution so that the cover will not fall down.



6. Electrical work

For how to connect cables, refer to chapter 7. “**Wiring connections**” in the Installation Manual that is provided with the AE-200/AE-50.

Please be sure to put the contact address/telephone number
on this manual before handing it to the customer.

mitsubishi ELECTRIC CORPORATION

HEAD OFFICE: TOKYO BLDG., 2-7-3, MARUNOUCHI, CHIYODA-KU, TOKYO 100-8310, JAPAN