

# Air-Conditioners

# Кондиционеры

## PUHZ-ZRP•KA Series

## PUHZ-P•KA Series



### INSTALLATION MANUAL

For safe and correct use, read this manual and the indoor unit installation manual thoroughly before installing the air-conditioner unit.

**FOR INSTALLER**

### INSTALLATIONSHANDBUCH

Aus Sicherheitsgründen und zur richtigen Verwendung vor der Installation die vorliegende Bedienungsanleitung und die Installationsanleitung der Innenanlage gründlich durchlesen die Klimaanlage.

**FÜR INSTALLATEURE**

### MANUEL D'INSTALLATION

Avant d'installer le climatiseur, lire attentivement ce manuel, ainsi que le manuel d'installation de l'appareil intérieur pour une utilisation sûre et correcte.

**POUR L'INSTALLATEUR**

### INSTALLATIEHANDLEIDING

Lees deze handleiding en de installatiehandleiding van het binnenapparaat zorgvuldig door voordat u met het installeren van de airconditioner begint.

**VOOR DE INSTALLATEUR**

### MANUAL DE INSTALACIÓN

Para un uso correcto y seguro, lea detalladamente este manual y el manual de instalación de la unidad interior antes de instalar la unidad de aire acondicionado.

**PARA EL INSTALADOR**

### MANUALE DI INSTALLAZIONE

Per un uso sicuro e corretto, leggere attentamente il presente manuale ed il manuale d'installazione dell'unità interna prima di installare il condizionatore d'aria.

**PER L'INSTALLATORE**

### ΕΓΧΕΙΡΙΔΙΟ ΟΔΗΓΙΩΝ ΕΓΚΑΤΑΣΤΑΣΗΣ

Για σωστή και ασφαλή χρήση, διαβάστε προσεκτικά αυτό το εγχειρίδιο καθώς και το εγχειρίδιο εγκατάστασης της εσωτερικής μονάδας, προτού εγκαταστήσετε τη μονάδα του κλιματιστικού.

**ΓΙΑ ΑΥΤΟΝ ΠΟΥ ΚΑΝΕΙ ΤΗΝ ΕΓΚΑΤΑΣΤΑΣΗ**

### MANUAL DE INSTALAÇÃO

Para uma utilização segura e correcta, leia atentamente este manual e o manual de instalação da unidade interior antes de instalar o aparelho de ar condicionado.

**PARA O INSTALADOR**

### INSTALLATIONSMANUAL

Læs af sikkerhedshensyn denne manual samt manualen til installation af indendørsenheden grundigt, før du installerer klimaanlægget.

**TIL INSTALLATØREN**

### INSTALLATIONSMANUAL

Läs bruksanvisningen och inomhusenhetens installationshandbok noga innan luftkonditioneringen installeras så att den används på ett säkert och korrekt sätt.

**FÖR INSTALLATÖREN**

### MONTAJ ELKİTABI

Emniyetli ve doğru kullanım için, klima cihazını monte etmeden önce bu kılavuzu ve iç ünite montaj kılavuzunu tamamiyla okuyun.

**MONTÖR İÇİN**

### РУКОВОДСТВО ПО УСТАНОВКЕ

Для обеспечения безопасной и надлежащей эксплуатации внимательно прочтите данное руководство и руководство по установке внутреннего прибора перед установкой кондиционера.

**ДЛЯ УСТАНОВИТЕЛЯ**

### INSTALLASJONSHÅNDBOK

For å sikre trygg og riktig bruk skal denne håndboken samt installasjonshåndboken for innendørsenheten leses grundig gjennom før du installerer klimaanleggenheten.

**FOR MONTØR**

### INSTRUKCJA MONTAŻU

Aby zapewnić bezpieczne i prawidłowe korzystanie z urządzenia, przed montażem klimatyzatora należy dokładnie zapoznać się z treścią niniejszej instrukcji oraz instrukcji montażu jednostki wewnętrznej.

**DLA INSTALATORA**

English

Deutsch

Français

Nederlands

Español

Italiano

Ελληνικά

Português

Dansk

Svenska

Türkçe

Русский

Norsk

Polski

# Contents

1. Safety precautions	2	7. Test run	12
2. Installation location	3	8. Special Functions	13
3. Installing the outdoor unit	5	9. System control (Fig. 9-1)	13
4. Installing the refrigerant piping	5	10. Specifications	14
5. Drainage piping work	9	11. Serial number	14
6. Electrical work	10		



**Note:** This symbol mark is for EU countries only.

**This symbol mark is according to the directive 2012/19/EU Article 14 Information for users and Annex IX.**

Your MITSUBISHI ELECTRIC product is designed and manufactured with high quality materials and components which can be recycled and reused.

This symbol means that electrical and electronic equipment, at their end-of-life, should be disposed of separately from your household waste.

Please, dispose of this equipment at your local community waste collection/recycling centre.

In the European Union there are separate collection systems for used electrical and electronic product.

Please, help us to conserve the environment we live in!

## ⚠ Caution:

- Do not vent R410A into the atmosphere.

## 1. Safety precautions

- ▶ Before installing the unit, make sure you read all the "Safety precautions".
- ▶ Please report to or take consent by the supply authority before connection to the system.

- ▶ Equipment complying with IEC/EN 61000-3-12 (PUHZ-ZRP100/125/140VKA3)

- ▶ PUHZ-ZRP200/250Y, P200/250Y

"This equipment complies with IEC 61000-3-12 provided that the short-circuit power  $S_{sc}$  is greater than or equal to  $S_{sc}(*1)$  at the interface point between the user's supply and the public system. It is the responsibility of the installer or user of the equipment to ensure, by consultation with the distribution network operator if necessary, that the equipment is connected only to a supply with a short-circuit power  $S_{sc}$  greater than or equal to  $S_{sc}(*1)$ "

$S_{sc}(*1)$

Model	$S_{sc}$ (MVA)
PUHZ-ZRP200Y, P200Y	1.35
PUHZ-ZRP250Y, P250Y	1.49

## ⚠ Warning:

Describes precautions that must be observed to prevent danger of injury or death to the user.

## ⚠ Caution:

Describes precautions that must be observed to prevent damage to the unit.

After installation work has been completed, explain the "Safety Precautions," use, and maintenance of the unit to the customer according to the information in the Operation Manual and perform the test run to ensure normal operation. Both the Installation Manual and Operation Manual must be given to the user for keeping. These manuals must be passed on to subsequent users.

⚡ : Indicates a part which must be grounded.

## ⚠ Warning:

Carefully read the labels affixed to the main unit.

## ⚠ Warning:

- The unit must not be installed by the user. Ask a dealer or an authorized technician to install the unit. If the unit is installed incorrectly, water leakage, electric shock, or fire may result.
- For installation work, follow the instructions in the Installation Manual and use tools and pipe components specifically made for use with R410A refrigerant. The R410A refrigerant in the HFC system is pressurized 1.6 times the pressure of usual refrigerants. If pipe components not designed for R410A refrigerant are used and the unit is not installed correctly, the pipes may burst and cause damage or injuries. In addition, water leakage, electric shock, or fire may result.
- The unit must be installed according to the instructions in order to minimize the risk of damage from earthquakes, typhoons, or strong winds. An incorrectly installed unit may fall down and cause damage or injuries.
- The unit must be securely installed on a structure that can sustain its weight. If the unit is mounted on an unstable structure, it may fall down and cause damage or injuries.
- If the air conditioner is installed in a small room, measures must be taken to prevent the refrigerant concentration in the room from exceeding the safety limit in the event of refrigerant leakage. Consult a dealer regarding the appropriate measures to prevent the allowable concentration from being exceeded. Should the refrigerant leak and cause the concentration limit to be exceeded, hazards due to lack of oxygen in the room may result.
- Ventilate the room if refrigerant leaks during operation. If refrigerant comes into contact with a flame, poisonous gases will be released.
- All electric work must be performed by a qualified technician according to local regulations and the instructions given in this manual. The units must be powered by dedicated power lines and the correct voltage and circuit breakers must be used. Power lines with insufficient capacity or incorrect electrical work may result in electric shock or fire.
- Use C1220 copper phosphorus, for copper and copper alloy seamless pipes, to connect the refrigerant pipes. If the pipes are not connected correctly, the unit will not be properly grounded and electric shock may result.

- This appliance is intended to be used by expert or trained users in shops, in light industry and on farms, or for commercial use by lay persons.
- Use only specified cables for wiring. The wiring connections must be made securely with no tension applied on the terminal connections. Also, never splice the cables for wiring (unless otherwise indicated in this document). Failure to observe these instructions may result in overheating or a fire.
- The terminal block cover panel of the outdoor unit must be firmly attached. If the cover panel is mounted incorrectly and dust and moisture enter the unit, electric shock or fire may result.
- When installing or relocating, or servicing the air conditioner, use only the specified refrigerant (R410A) to charge the refrigerant lines. Do not mix it with any other refrigerant and do not allow air to remain in the lines. If air is mixed with the refrigerant, then it can be the cause of abnormal high pressure in the refrigerant line, and may result in an explosion and other hazards. The use of any refrigerant other than that specified for the system will cause mechanical failure or system malfunction or unit breakdown. In the worst case, this could lead to a serious impediment to securing product safety.
- Use only accessories authorized by Mitsubishi Electric and ask a dealer or an authorized technician to install them. If accessories are incorrectly installed, water leakage, electric shock, or fire may result.
- Do not alter the unit. Consult a dealer for repairs. If alterations or repairs are not performed correctly, water leakage, electric shock, or fire may result.
- The user should never attempt to repair the unit or transfer it to another location. If the unit is installed incorrectly, water leakage, electric shock, or fire may result. If the air conditioner must be repaired or moved, ask a dealer or an authorized technician.
- After installation has been completed, check for refrigerant leaks. If refrigerant leaks into the room and comes into contact with the flame of a heater or portable cooking range, poisonous gases will be released.

### 1.1. Before installation

#### ⚠ Caution:

- Do not use the unit in an unusual environment. If the air conditioner is installed in areas exposed to steam, volatile oil (including machine oil), or sulfuric gas, areas exposed to high salt content such as the seaside, or areas where the unit will be covered by snow, the performance can be significantly reduced and the internal parts can be damaged.
- Do not install the unit where combustible gases may leak, be produced, flow, or accumulate. If combustible gas accumulates around the unit, fire or explosion may result.

- The outdoor unit produces condensation during the heating operation. Make sure to provide drainage around the outdoor unit if such condensation is likely to cause damage.
- When installing the unit in a hospital or communications office, be prepared for noise and electronic interference. Inverters, home appliances, high-frequency medical equipment, and radio communications equipment can cause the air conditioner to malfunction or breakdown. The air conditioner may also affect medical equipment, disturbing medical care, and communications equipment, harming the screen display quality.

# 1. Safety precautions

## 1.2. Before installation (relocation)

### ⚠ Caution:

- Be extremely careful when transporting or installing the units. Two or more persons are needed to handle the unit, as it weighs 20 kg or more. Do not grasp the packaging bands. Wear protective gloves to remove the unit from the packaging and to move it, as you can injure your hands on the fins or the edge of other parts.
- Be sure to safely dispose of the packaging materials. Packaging materials, such as nails and other metal or wooden parts may cause stabs or other injuries.

- The base and attachments of the outdoor unit must be periodically checked for looseness, cracks or other damage. If such defects are left uncorrected, the unit may fall down and cause damage or injuries.
- Do not clean the air conditioner unit with water. Electric shock may result.
- Tighten all flare nuts to specification using a torque wrench. If tightened too much, the flare nut can break after an extended period and refrigerant can leak out.

## 1.3. Before electric work

### ⚠ Caution:

- Be sure to install circuit breakers. If not installed, electric shock may result.
- For the power lines, use standard cables of sufficient capacity. Otherwise, a short circuit, overheating, or fire may result.
- When installing the power lines, do not apply tension to the cables. If the connections are loosened, the cables can snap or break and overheating or fire may result.

- Be sure to ground the unit. Do not connect the ground wire to gas or water pipes, lightning rods, or telephone grounding lines. If the unit is not properly grounded, electric shock may result.
- Use circuit breakers (ground fault interrupter, isolating switch (+B fuse), and molded case circuit breaker) with the specified capacity. If the circuit breaker capacity is larger than the specified capacity, breakdown or fire may result.

## 1.4. Before starting the test run

### ⚠ Caution:

- Turn on the main power switch more than 12 hours before starting operation. Starting operation just after turning on the power switch can severely damage the internal parts. Keep the main power switch turned on during the operation season.
- Before starting operation, check that all panels, guards and other protective parts are correctly installed. Rotating, hot, or high voltage parts can cause injuries.

- Do not touch any switch with wet hands. Electric shock may result.
- Do not touch the refrigerant pipes with bare hands during operation. The refrigerant pipes are hot or cold depending on the condition of the flowing refrigerant. If you touch the pipes, burns or frostbite may result.
- After stopping operation, be sure to wait at least five minutes before turning off the main power switch. Otherwise, water leakage or breakdown may result.

## 1.5. Using R410A refrigerant air conditioners

### ⚠ Caution:

- Use C1220 copper phosphorus, for copper and copper alloy seamless pipes, to connect the refrigerant pipes. Make sure the insides of the pipes are clean and do not contain any harmful contaminants such as sulfuric compounds, oxidants, debris, or dust. Use pipes with the specified thickness. (Refer to 4.1.) Note the following if reusing existing pipes that carried R22 refrigerant.
  - Replace the existing flare nuts and flare the flared sections again.
  - Do not use thin pipes. (Refer to 4.1.)
- Store the pipes to be used during installation indoors and keep both ends of the pipes sealed until just before brazing. (Leave elbow joints, etc. in their packaging.) If dust, debris, or moisture enters the refrigerant lines, oil deterioration or compressor breakdown may result.
- Use ester oil, ether oil, alkylbenzene oil (small amount) as the refrigeration oil applied to the flared sections. If mineral oil is mixed in the refrigeration oil, oil deterioration may result.

- Do not use refrigerant other than R410A refrigerant. If another refrigerant is used, the chlorine will cause the oil to deteriorate.
- Use the following tools specifically designed for use with R410A refrigerant. The following tools are necessary to use R410A refrigerant. Contact your nearest dealer for any questions.

Tools (for R410A)	
Gauge manifold	Flare tool
Charge hose	Size adjustment gauge
Gas leak detector	Vacuum pump adapter
Torque wrench	Electronic refrigerant charging scale

- Be sure to use the correct tools. If dust, debris, or moisture enters the refrigerant lines, refrigeration oil deterioration may result.
- Do not use a charging cylinder. If a charging cylinder is used, the composition of the refrigerant will change and the efficiency will be lowered.

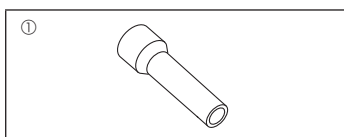


Fig. 1-1

## 1.6. Accessories of outdoor unit (Fig. 1-1) (ZRP200/250, P200/250)

The parts shown in the left are the accessories of this unit, which are affixed to the inside of the service panel.

① Joint Pipe accessory .....x1

- (1) Put flare nut which is removed from the Ball Valve on the Joint Pipe accessory and carry out flare work.
- (2) The Joint Pipe accessory and the pipe which is prepared on site must be brazed in non-oxidation status.
- (3) After the pipes are brazed, connect the Joint Pipe accessory to the Ball Valve which locates within the unit by flare connection.

\* Never connect the Joint Pipe accessory to the Ball Valve before brazing. Some parts may be burnt and it may cause refrigerant leakage.

# 2. Installation location

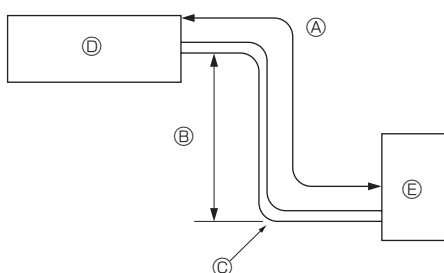


Fig. 2-1

## 2.1. Refrigerant pipe (Fig. 2-1)

► Check that the difference between the heights of the indoor and outdoor units, the length of refrigerant pipe, and the number of bends in the pipe are within the limits shown below.

Models	Ⓐ Pipe length (one way)	Ⓑ Height difference	Ⓒ Number of bends (one way)
ZRP100, 125, 140	Max. 75 m	Max. 30 m	Max. 15
ZRP200, 250	Max. 100 m	Max. 30 m	Max. 15
P200, 250	Max. 70 m	Max. 30 m	Max. 15

- Height difference limitations are binding regardless of which unit, indoor or outdoor, is positioned higher.

Ⓓ Indoor unit  
Ⓔ Outdoor unit

## 2. Installation location

- ZRP100, 125, 140, 200, 250
- P200, 250

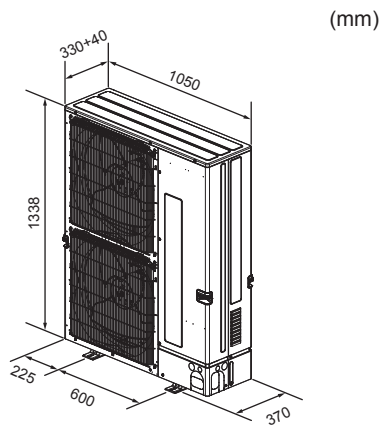


Fig. 2-2

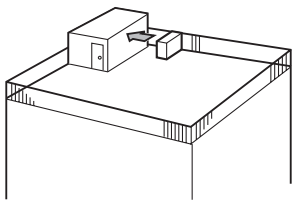


Fig. 2-3

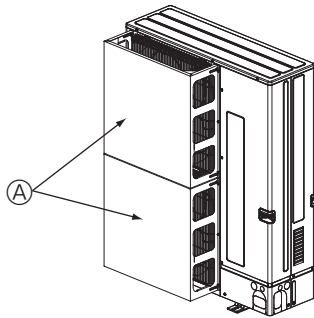


Fig. 2-4

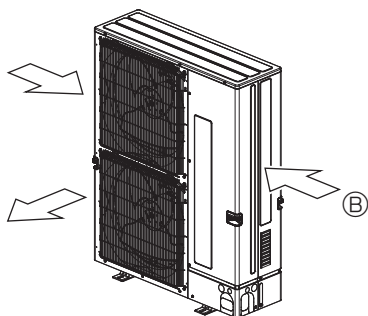


Fig. 2-5

### 2.2. Choosing the outdoor unit installation location

- Avoid locations exposed to direct sunlight or other sources of heat.
- Select a location from which noise emitted by the unit will not inconvenience neighbors.
- Select a location permitting easy wiring and pipe access to the power source and indoor unit.
- Avoid locations where combustible gases may leak, be produced, flow, or accumulate.
- Note that water may drain from the unit during operation.
- Select a level location that can bear the weight and vibration of the unit.
- Avoid locations where the unit can be covered by snow. In areas where heavy snow fall is anticipated, special precautions such as raising the installation location or installing a hood on the air intake must be taken to prevent the snow from blocking the air intake or blowing directly against it. This can reduce the airflow and a malfunction may result.
- Avoid locations exposed to oil, steam, or sulfuric gas.
- Use the transportation handles of the outdoor unit to transport the unit. If the unit is carried from the bottom, hands or fingers may be pinched.

### 2.3. Outline dimensions (Outdoor unit) (Fig. 2-2)

#### 2.4. Ventilation and service space

##### 2.4.1. Windy location installation

When installing the outdoor unit on a rooftop or other location unprotected from the wind, situate the air outlet of the unit so that it is not directly exposed to strong winds. Strong wind entering the air outlet may impede the normal airflow and a malfunction may result.

The following shows three examples of precautions against strong winds.

- ① Face the air outlet towards the nearest available wall about 50 cm away from the wall. (Fig. 2-3)
- ② Install an optional air guide if the unit is installed in a location where strong winds from a typhoon, etc. may directly enter the air outlet. (Fig. 2-4)
  - Ⓐ Air outlet guide
- ③ Position the unit so that the air outlet blows perpendicularly to the seasonal wind direction, if possible. (Fig. 2-5)
  - Ⓑ Wind direction

##### 2.4.2. When installing a single outdoor unit (Refer to the last page)

Minimum dimensions are as follows, except for Max., meaning Maximum dimensions, indicated.

Refer to the figures for each case.

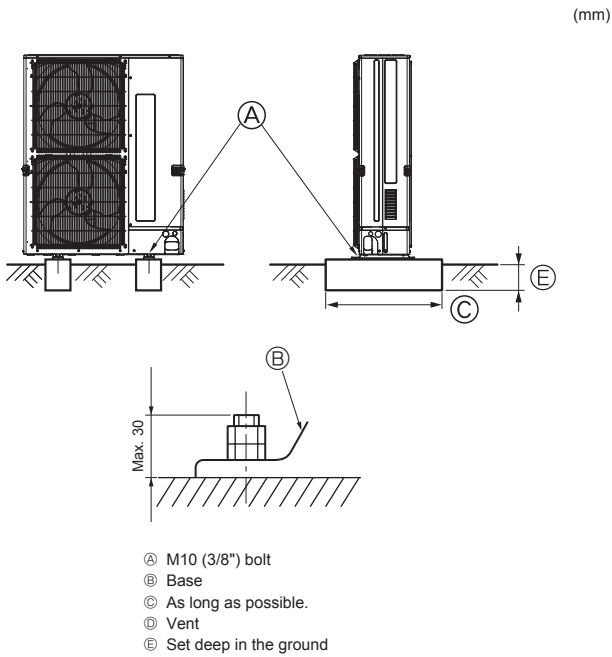
- ① Obstacles at rear only (Fig. 2-6)
- ② Obstacles at rear and above only (Fig. 2-7)
- ③ Obstacles at rear and sides only (Fig. 2-8)
- ④ Obstacles at front only (Fig. 2-9)
  - \* When using an optional air outlet guide, the clearance is 500 mm or more.
- ⑤ Obstacles at front and rear only (Fig. 2-10)
  - \* When using an optional air outlet guide, the clearance is 500 mm or more.
- ⑥ Obstacles at rear, sides, and above only (Fig. 2-11)
  - Do not install the optional air outlet guides for upward airflow.

##### 2.4.3. When installing multiple outdoor units (Refer to the last page)

Leave 50 mm for ZRP100-250/P200, 250 space or more between the units.

- ① Obstacles at rear only (Fig. 2-12)
- ② Obstacles at rear and above only (Fig. 2-13)
  - No more than 3 units must be installed side by side. In addition, leave space as shown.
  - Do not install the optional air outlet guides for upward airflow.
- ③ Obstacles at front only (Fig. 2-14)
  - \* When using an optional air outlet guide, the clearance for ZRP100-250/P200, 250 models is 1000 mm or more.
- ④ Obstacles at front and rear only (Fig. 2-15)
  - \* When using an optional air outlet guide, the clearance for ZRP100-250/P200, 250 models is 1000 mm or more.
- ⑤ Single parallel unit arrangement (Fig. 2-16)
  - \* When using an optional air outlet guide installed for upward airflow, the clearance is 1000 mm or more.
- ⑥ Multiple parallel unit arrangement (Fig. 2-17)
  - \* When using an optional air outlet guide installed for upward airflow, the clearance is 1500 mm or more.
- ⑦ Stacked unit arrangement (Fig. 2-18)
  - The units can be stacked up to two units high.
  - No more than 2 stacked units must be installed side by side. In addition, leave space as shown.

### 3. Installing the outdoor unit



- Be sure to install the unit in a sturdy, level surface to prevent rattling noises during operation. (Fig. 3-1)

<Foundation specifications>

Foundation bolt	M10 (3/8")
Thickness of concrete	120 mm
Length of bolt	70 mm
Weight-bearing capacity	320 kg

- Make sure that the length of the foundation bolt is within 30 mm of the bottom surface of the base.
- Secure the base of the unit firmly with four-M10 foundation bolts in sturdy locations.

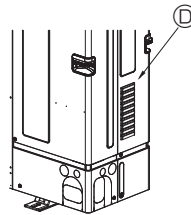
#### Installing the outdoor unit

- Do not block the vent. If the vent is blocked, operation will be hindered and breakdown may result.
- In addition to the unit base, use the installation holes on the back of the unit to attach wires, etc., if necessary to install the unit. Use self-tapping screws (ø5 × 15 mm or less) and install on site.

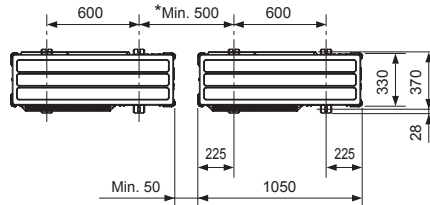
#### ⚠ Warning:

- The unit must be securely installed on a structure that can sustain its weight. If the unit is mounted on an unstable structure, it may fall down and cause damage or injuries.
- The unit must be installed according to the instructions in order to minimize the risk of damage from earthquakes, typhoons, or strong winds. An incorrectly installed unit may fall down and cause damage or injuries.

#### ■ ZRP100-250/P200, 250



#### ■ ZRP100-250/P200, 250



\* When installing a single outdoor unit, the clearance is 15 mm or more.

Fig. 3-1

### 4. Installing the refrigerant piping

#### 4.1. Precautions for devices that use R410A refrigerant

- Refer to 1.5. for precautions not included below on using air conditioners with R410A refrigerant.
- Use ester oil, ether oil, alkylbenzene oil (small amount) as the refrigeration oil applied to the flared sections.
- Use C1220 copper phosphorus, for copper and copper alloy seamless pipes, to connect the refrigerant pipes. Use refrigerant pipes with the thicknesses specified in the table to the below. Make sure the insides of the pipes are clean and do not contain any harmful contaminants such as sulfuric compounds, oxidants, debris, or dust. Always apply no-oxidation brazing when brazing the pipes, otherwise, the compressor will be damaged.

#### ⚠ Warning:

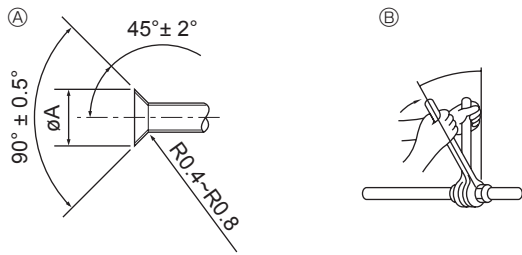
When installing or relocating, or servicing the air conditioner, use only the specified refrigerant (R410A) to charge the refrigerant lines. Do not mix it with any other refrigerant and do not allow air to remain in the lines. If air is mixed with the refrigerant, then it can be the cause of abnormal high pressure in the refrigerant line, and may result in an explosion and other hazards.

The use of any refrigerant other than that specified for the system will cause mechanical failure or system malfunction or unit breakdown. In the worst case, this could lead to a serious impediment to securing product safety.

Pipe size (mm)	ø6.35	ø9.52	ø12.7	ø15.88	ø19.05	ø22.2	ø25.4	ø28.58
Thickness (mm)	0.8	0.8	0.8	1.0	1.0	1.0	1.0	1.0

- Do not use pipes thinner than those specified above.
- Use 1/2 H or H pipes if the diameter is 19.05 mm or larger.

## 4. Installing the refrigerant piping



- Ⓐ Flare cutting dimensions  
Ⓑ Flare nut tightening torque

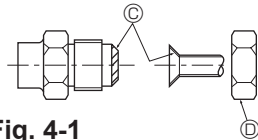


Fig. 4-1

Ⓐ (Fig. 4-1)

Copper pipe O.D. (mm)	Flare dimensions ⌀A dimensions (mm)
⌀6.35	8.7 - 9.1
⌀9.52	12.8 - 13.2
⌀12.7	16.2 - 16.6
⌀15.88	19.3 - 19.7
⌀19.05	23.6 - 24.0

Ⓑ (Fig. 4-1)

Copper pipe O.D. (mm)	Flare nut O.D. (mm)	Tightening torque (N·m)
⌀6.35	17	14 - 18
⌀6.35	22	34 - 42
⌀9.52	22	34 - 42
⌀12.7	26	49 - 61
⌀12.7	29	68 - 82
⌀15.88	29	68 - 82
⌀15.88	36	100 - 120
⌀19.05	36	100 - 120

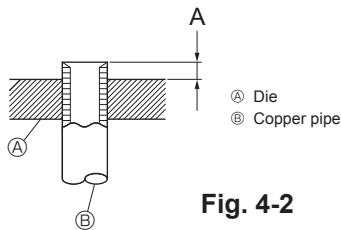


Fig. 4-2

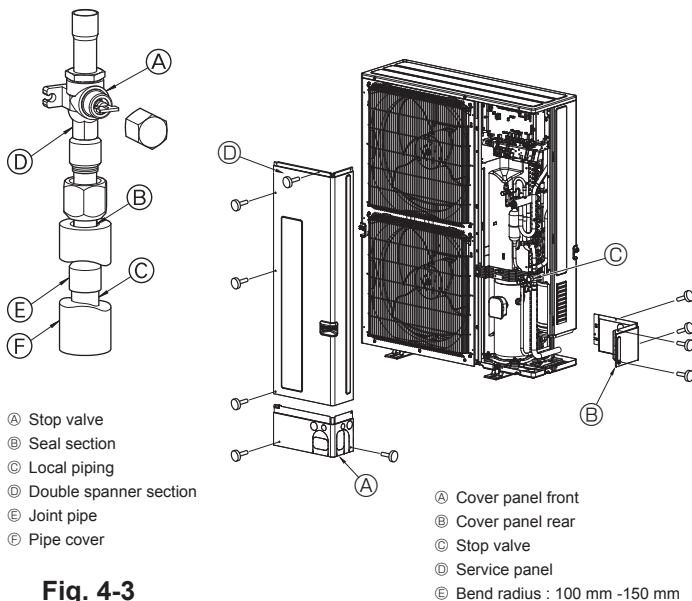


Fig. 4-3

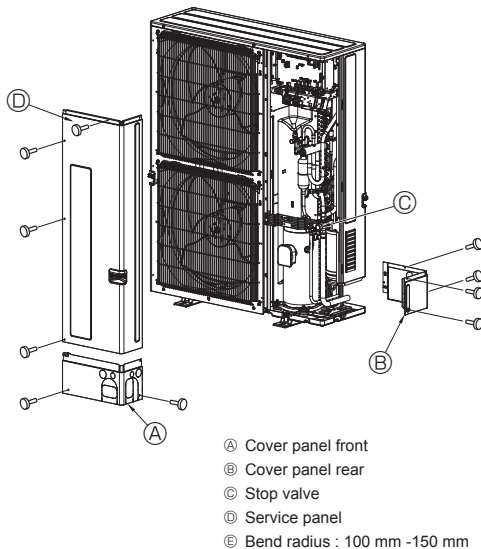


Fig. 4-4

### 4.2. Connecting pipes (Fig. 4-1)

- When commercially available copper pipes are used, wrap liquid and gas pipes with commercially available insulation materials (heat-resistant to 100 °C or more, thickness of 12 mm or more).
- The indoor parts of the drain pipe should be wrapped with polyethylene foam insulation materials (specific gravity of 0.03, thickness of 9 mm or more).
- Apply thin layer of refrigerant oil to pipe and joint seating surface before tightening flare nut. Ⓐ
- Use two wrenches to tighten piping connections. Ⓑ
- Use leak detector or soapy water to check for gas leaks after connections are completed.
- Apply refrigerating machine oil over the entire flare seat surface. Ⓒ
- Use the flare nuts for the following pipe size. Ⓓ

		ZRP100-140	ZRP200, P200	ZRP250, P250
Gas side	Pipe size (mm)	⌀15.88	⌀25.4	⌀25.4
Liquid side	Pipe size (mm)	⌀9.52	⌀9.52	⌀12.7

- When bending the pipes, be careful not to break them. Bend radii of 100 mm to 150 mm are sufficient.
- Make sure the pipes do not contact the compressor. Abnormal noise or vibration may result.
- ① Pipes must be connected starting from the indoor unit. Flare nuts must be tightened with a torque wrench.
- ② Flare the liquid pipes and gas pipes and apply a thin layer of refrigeration oil (Applied on site).
- When usual pipe sealing is used, refer to Table 1 for flaring of R410A refrigerant pipes. The size adjustment gauge can be used to confirm A measurements.

Table 1 (Fig. 4-2)

Copper pipe O.D. (mm)	A (mm)	
	Flare tool for R410A	Flare tool for R22-R407C
	Clutch type	
⌀6.35 (1/4")	0 - 0.5	1.0 - 1.5
⌀9.52 (3/8")	0 - 0.5	1.0 - 1.5
⌀12.7 (1/2")	0 - 0.5	1.0 - 1.5
⌀15.88 (5/8")	0 - 0.5	1.0 - 1.5
⌀19.05 (3/4")	0 - 0.5	1.0 - 1.5

- ③ Use the following procedure for connecting the gas-side piping. (Fig. 4-3)
  - Braze the Ⓒ Joint pipe provided to the outdoor unit using locally procured brazing materials and Ⓓ Local piping without oxygen.
  - Connect the Ⓒ Joint pipe to the gas-side Stop valve. Use 2 wrenches to tighten the flare nut.
    - \* If order is reversed, refrigerant leak occurs because of the part damaging by brazing fire.
- For PEA-RP200, 250WKA  
The method of pipe connection is brazing connection.

		PEA-200	PEA-250
Gas side	Pipe size (mm)	⌀25.4	⌀25.4
Liquid side	Pipe size (mm)	⌀9.52	⌀12.7

### 4.3. Refrigerant piping (Fig. 4-4)

Remove the service panel Ⓓ (4 screws) and the cover panel front Ⓐ (2 screws) and cover panel rear Ⓑ (4 screws).

- Perform refrigerant piping connections for the indoor/outdoor unit when the outdoor unit's stop valve is completely closed.
- Vacuum-purge air from the indoor unit and the connection piping.
- After connecting the refrigerant pipes, check the connected pipes and the indoor unit for gas leaks. (Refer to 4.4. Refrigerant pipe airtight testing method)
- A high-performance vacuum pump is used at the stop valve service port to maintain a vacuum for an adequate time (at least one hour after reaching -101 kPa (5 Torr)) in order to vacuum dry the inside of the pipes. Always check the degree of vacuum at the gauge manifold. If there is any moisture left in the pipe, the degree of vacuum is sometimes not reached with short-time vacuum application. After vacuum drying, completely open the stop valves (both liquid and gas) for the outdoor unit. This completely links the indoor and outdoor refrigerant circuits.
  - If the vacuum drying is inadequate, air and water vapor remain in the refrigerant circuits and can cause abnormal rise of high pressure, abnormal drop of low pressure, deterioration of the refrigerating machine oil due to moisture, etc.
  - If the stop valves are left closed and the unit is operated, the compressor and control valves will be damaged.
  - Use a leak detector or soapy water to check for gas leaks at the pipe connection sections of the outdoor unit.
  - Do not use the refrigerant from the unit to purge air from the refrigerant lines.
  - After the valve work is completed, tighten the valve caps to the correct torque: 20 to 25 N·m (200 to 250 kgf·cm). Failure to replace and tighten the caps may result in refrigerant leakage. In addition, do not damage the insides of the valve caps as they act as a seal to prevent refrigerant leakage.
- Use sealant to seal the ends of the thermal insulation around the pipe connection sections to prevent water from entering the thermal insulation.

## 4. Installing the refrigerant piping

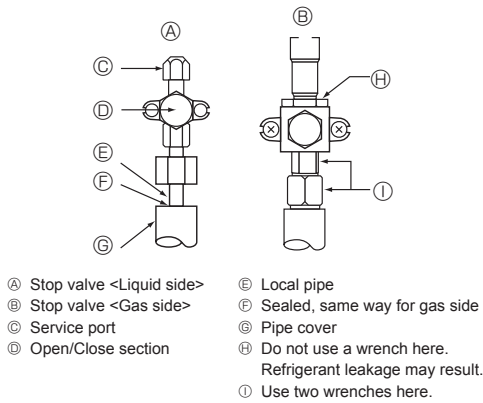


Fig. 4-5

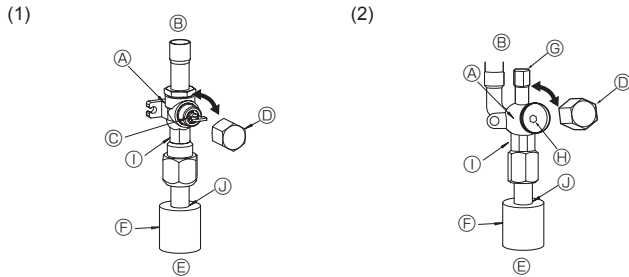
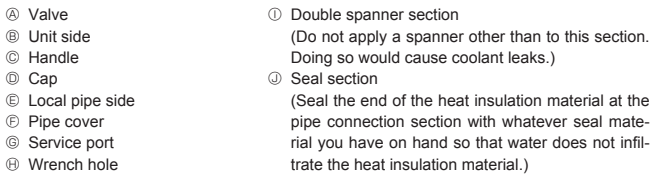


Fig. 4-6

Fig. 4-7



### 4.4. Refrigerant pipe airtight testing method (Fig.4-5)

- Connect the testing tools.
  - Make sure the stop valves (A) (B) are closed and do not open them.
  - Add pressure to the refrigerant lines through the service port (C) of the liquid stop valve (A).
- Do not add pressure to the specified pressure all at once; add pressure little by little.
  - Pressurize to 0.5 MPa (5 kgf/cm<sup>2</sup>G), wait five minutes, and make sure the pressure does not decrease.
  - Pressurize to 1.5 MPa (15 kgf/cm<sup>2</sup>G), wait five minutes, and make sure the pressure does not decrease.
  - Pressurize to 4.15 MPa (41.5 kgf/cm<sup>2</sup>G) and measure the surrounding temperature and refrigerant pressure.
- If the specified pressure holds for about one day and does not decrease, the pipes have passed the test and there are no leaks.
  - If the surrounding temperature changes by 1 °C, the pressure will change by about 0.01 MPa (0.1 kgf/cm<sup>2</sup>G). Make the necessary corrections.
- If the pressure decreases in steps (2) or (3), there is a gas leak. Look for the source of the gas leak.

### 4.5. Stop valve opening method

The stop valve opening method varies according to the outdoor unit model. Use the appropriate method to open the stop valves.

- Gas side (Fig.4-6)
  - Remove the cap, pull the handle toward you and rotate 1/4 turn in a counterclockwise direction to open.
  - Make sure that the stop valve is open completely, push in the handle and rotate the cap back to its original position.
- Liquid side (Fig.4-7)
  - Remove the cap and turn the valve rod counterclockwise as far as it will go with the use of a 4 mm hexagonal wrench. Stop turning when it hits the stopper. (ø9.52: Approximately 10 revolutions)
  - Make sure that the stop valve is open completely, push in the handle and rotate the cap back to its original position.

Refrigerant pipes are protectively wrapped

- The pipes can be protectively wrapped up to a diameter of ø90 before or after connecting the pipes. Cut out the knockout in the pipe cover following the groove and wrap the pipes.

Pipe inlet gap

- Use putty or sealant to seal the pipe inlet around the pipes so that no gaps remain. (If the gaps are not closed, noise may be emitted or water and dust will enter the unit and breakdown may result.)

### Precautions when using the charge valve (Fig.4-8)

Do not tighten the service port too much when installing it, otherwise, the valve core could be deformed and become loose, causing a gas leak.

After positioning section (B) in the desired direction, turn section (A) only and tighten it. Do not further tighten sections (A) and (B) together after tightening section (A).

### Warning:

When installing the unit, securely connect the refrigerant pipes before starting the compressor.

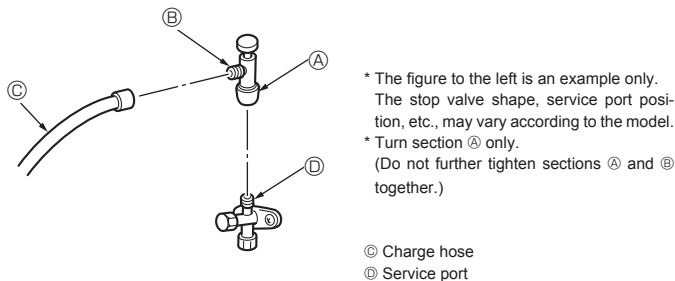


Fig. 4-8

### 4.6. Addition of refrigerant

- Additional charging is not necessary if the pipe length does not exceed 30 m.
- If the pipe length exceeds 30m, charge the unit with additional R410A refrigerant according to the permitted pipe lengths in the chart below.
  - When the unit is stopped, charge the unit with the additional refrigerant through the liquid stop valve after the pipe extensions and indoor unit have been vacuumized.
  - When the unit is operating, add refrigerant to the gas check valve using a safety charger. Do not add liquid refrigerant directly to the check valve.
  - After charging the unit with refrigerant, note the added refrigerant amount on the service label (attached to the unit).
  - Refer to the "1.5. Using R410A refrigerant air conditioners" for more information.

- Be careful when installing multiple units. Connecting to an incorrect indoor unit can lead to abnormally high pressure and have a serious effect on operation performance.

Model	Permitted pipe length	Permitted vertical difference	Additional refrigerant charging amount			
			31 - 40 m	41 - 50 m	51 - 60 m	61 - 75 m
ZRP100-140	- 75 m	- 30 m	0.6 kg	1.2 kg	1.8 kg	2.4 kg

Outdoor unit	A+B+C+D					
	Amount of additional refrigerant charge (kg)					
	30 m and less	31 - 40 m	41 - 50 m	51 - 60 m	61 - 70 m	71 - 100 m
ZRP200	No additional charge necessary	0.9 kg	1.8 kg	2.7 kg	3.6 kg	Calculate the amount of additional refrigerant charge using formula provided next page
ZRP250		1.2 kg	2.4 kg	3.6 kg	4.8 kg	
P200		0.9 kg	1.8 kg	2.7 kg	3.6 kg	
P250		1.2 kg	2.4 kg	3.6 kg	4.8 kg	

## 4. Installing the refrigerant piping

### When length exceeds 70 m

When the total length of the piping exceeds 70 m, calculate the amount of additional charge based on the following requirements.

Note: If the calculation produces a negative number (i.e. a "minus" charge), or if calculation results in an amount that is less than the "Additional charge amount for 70 m", perform the additional charge using the amount shown in "Additional charge amount for 70 m".

Amount of additional charge (kg)	=	Main piping: Liquid line size ø12.7 overall length × 0.11 (m) × 0.11 (kg/m)	+	Main piping: Liquid line size ø9.52 overall length × 0.09 (Gas line: ø25.4) (m) × 0.09 (kg/m)	+	Branch piping: Liquid line size ø9.52 overall length × 0.06 (Gas line: ø15.88) (m) × 0.06 (kg/m)	+	Branch piping: Liquid line size ø6.35 overall length × 0.02 (m) × 0.02 (kg/m)	-	3.6 (kg)
Additional charge amount for 70 meters		ZRP200		3.6 kg		ZRP250		4.8 kg		

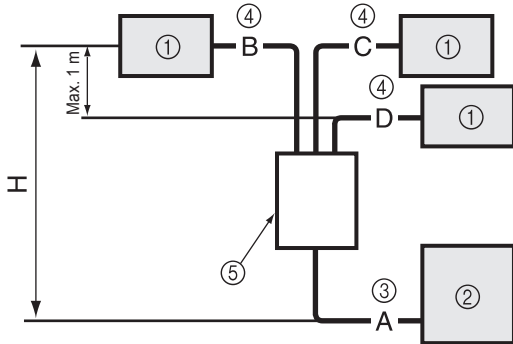


Fig. 4-9

- ① Indoor unit
- ② Outdoor unit
- ③ Main piping
- ④ Branch piping
- ⑤ Multi distribution pipe (option)

Outdoor unit : ZRP250 A: ø12.7.....65 m

Indoor unit 1 : ZRP71 B: ø9.52.....5 m

Indoor unit 2 : ZRP71 C: ø9.52.....5 m

Indoor unit 3 : ZRP71 D: ø9.52.....5 m

Main piping ø12.7 is A = 65 m

Branch piping ø9.52 is B + C + D = 15 m

Therefore, the amount of additional charge is:  $65 \times 0.12 + 15 \times 0.06 - 3.6 = 5.1(\text{kg})$

(Fractions are rounded up)

### Refilling refrigerant charge (kg) for less than 30 m (Chargeless pipe length)

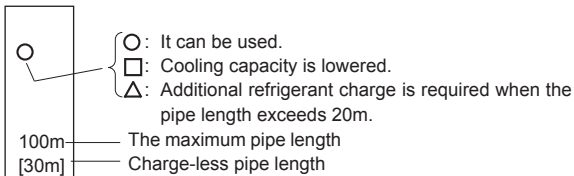
Outdoor unit	5 m and less	6 - 10 m	11 - 15 m	16 - 20 m	21 - 25 m	26 - 30 m
ZRP100-140	4.5	4.6	4.7	4.8	4.9	5.0
ZRP200	6.4	6.5	6.7	6.8	7.0	7.1
ZRP250	6.7	6.9	7.1	7.3	7.5	7.7
P200	5.8	5.9	6.1	6.2	6.4	6.5
P250	6.7	6.9	7.1	7.3	7.5	7.7

### Maximum pipe length (ZRP200-ZRP250)

Liquid pipe (mm)	O.D. Thickness	ø9.52				ø12.7				ø15.88			
		t0.8				t0.8				t1.0			
Gas pipe (mm)	O.D. Thickness	ø19.05	ø22.2	ø25.4	ø28.58	ø19.05	ø22.2	ø25.4	ø28.58	ø22.2	ø25.4	ø28.58	ø31.75
		t1.0	t1.0	t1.0	t1.0	t1.0	t1.0	t1.0	t1.0	t1.0	t1.0	t1.0	t1.1
ZRP200	□	20m	50m	Standard size	○	□	□	○	○	△□	△	△	△
	[20m]	[30m]	[30m]	[30m]	[30m]	[20m]	[30m]	[30m]	[30m]	[20m]	[20m]	[20m]	[20m]
ZRP250	□	20m	50m	○	○	□	□	Standard size	□	△□	△	△	△
	[20m]	[30m]	[30m]	[30m]	[30m]	[20m]	[30m]	[30m]	[30m]	[20m]	[20m]	[20m]	[20m]

Note : Be sure to use hard (tempered) one for pipe over ø19.05.

<Marks in the table above>



### ■ ZRP200, 250

Additional refrigerant amount when the liquid pipe of the larger diameter is used.

1:1 system

Liquid pipe	When the pipe length exceeds 20 m
ø15.88	Additional refrigerant amount $\Delta w$ (g) = $180 \times \text{Pipe length (m)} - 3000$

\*  $\Delta w$  (g)  $\leq 0$  : Additional charge is not necessary.

Simultaneous twin/triple/quadruple system

When the pipe length (main piping and branch piping) exceeds 20 m
Additional refrigerant amount $\Delta w$ (g) = $(180 \times L1) + (120 \times L2) + (90 \times L3) + (30 \times L4) - 3000$

L1 : ø15.88 liquid pipe length (m)

L2 : ø12.7 liquid pipe length (m)

L3 : ø9.52 liquid pipe length (m)

L4 : ø6.35 liquid pipe length (m)

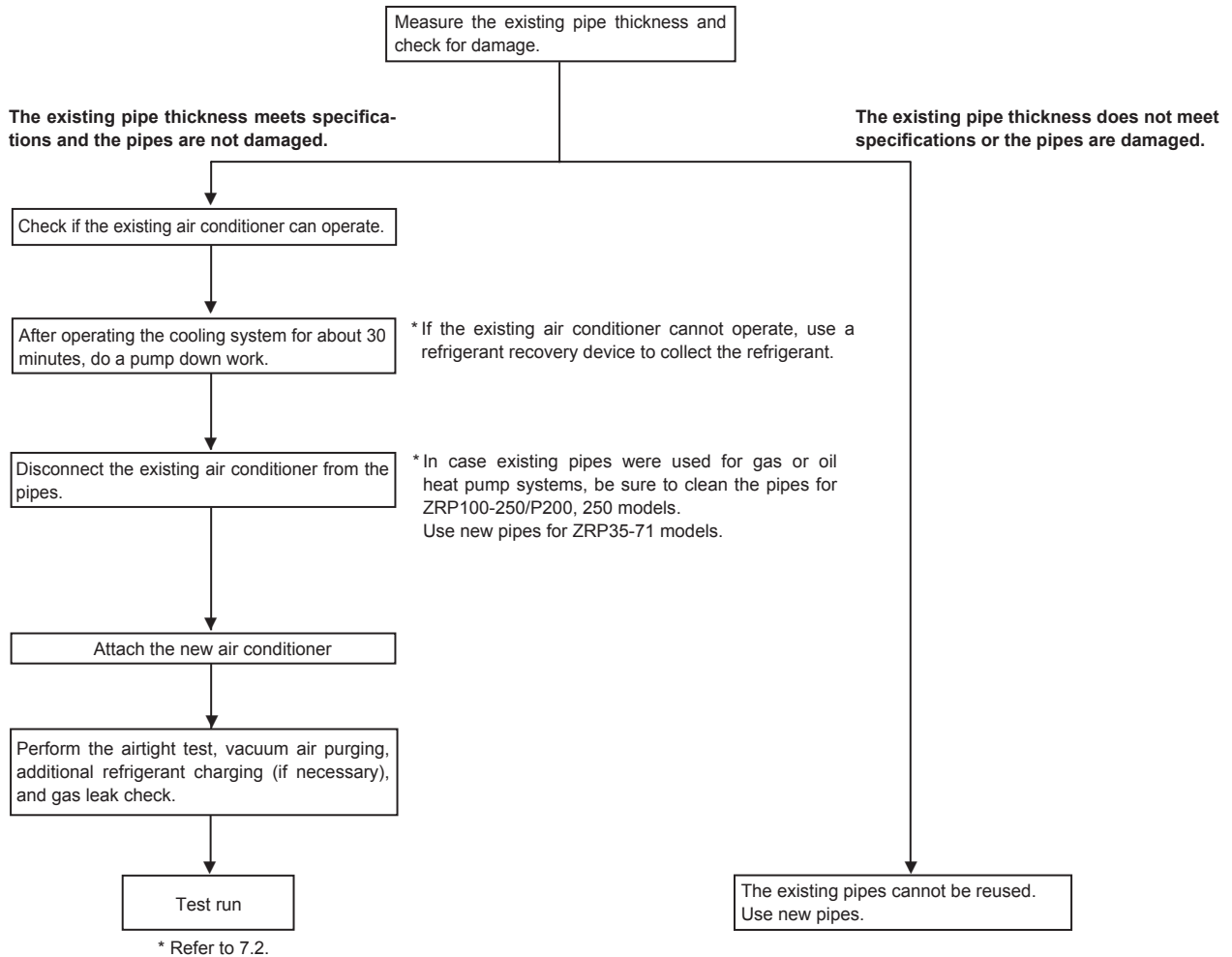
\*  $\Delta w$  (g)  $\leq 0$  : Additional charge is not necessary.



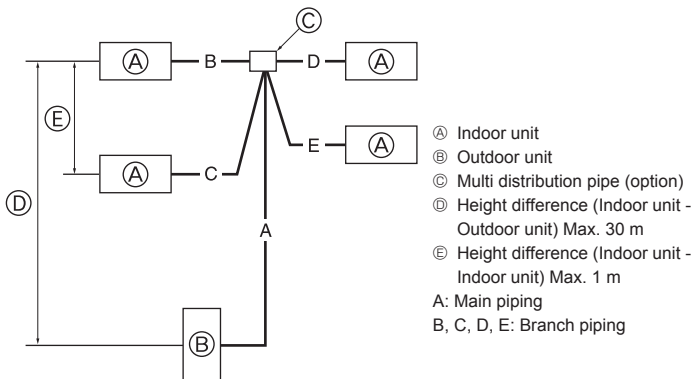
## 4. Installing the refrigerant piping

### 4.7. Precautions when reusing existing R22 refrigerant pipes

- Refer to the flowchart below to determine if the existing pipes can be used and if it is necessary to use a filter dryer.
- If the diameter of the existing pipes is different from the specified diameter, refer to technological data materials to confirm if the pipes can be used.



#### <Limits of refrigerant piping installation>



ZRP100 :  $A+B+C+(D) \leq 75$  m  
 ZRP125, 140 :  $A+B+C+(D)+(E) \leq 75$  m  
 ZRP200, 250 :  $A+B+C+(D)+(E) \leq 100$  m  
 P200, 250 :  $A+B+C+(D)+(E) \leq 70$  m

\* "D" is for triple.  
 \* "E" is for four (quadruple).

Fig. 4-10

### 4.8. For twin/triple/quadruple combination (Fig. 4-10)

- When this unit is used as a FREE COMPO MULTI unit, install the refrigerant piping with the restrictions indicated in the drawing on the left. In addition, if the restrictions are going to be exceeded, or if there are going to be combinations of indoor and outdoor units, refer to installation instructions for the indoor unit for details about the installation.

Outdoor unit	Permissible total piping length $A+B+C+D+E$	$A+B$ or $A+C$ or $A+D$ or $A+E$	Charge-less piping length $A+B+C+D+E$
ZRP100-140	75 m and less	—	30 m and less
ZRP200 ZRP250	100 m and less	100 m and less	30 m and less
P200 P250	70 m and less	70 m and less	30 m and less

Outdoor unit	B-C   or   B-D   or   B-E   or   C-D   or   C-E   or   D-E	No. of bends
ZRP100-250	8 m and less	Within 15

## 5. Drainage piping work

### Outdoor unit drainage pipe connection

When drain piping is necessary, use the drain socket or the drain pan (option).

	ZRP100-250/P200, 250
Drain socket	PAC-SG61DS-E
Drain pan	PAC-SH97DP-E

## 6. Electrical work

### 6.1. Outdoor unit (Fig. 6-1, Fig. 6-2)

- ① Remove the service panel.
  - ② Wire the cables referring to the Fig. 6-1 and the Fig. 6-2.
- ▶ Except PEA-RP200, 250WKA

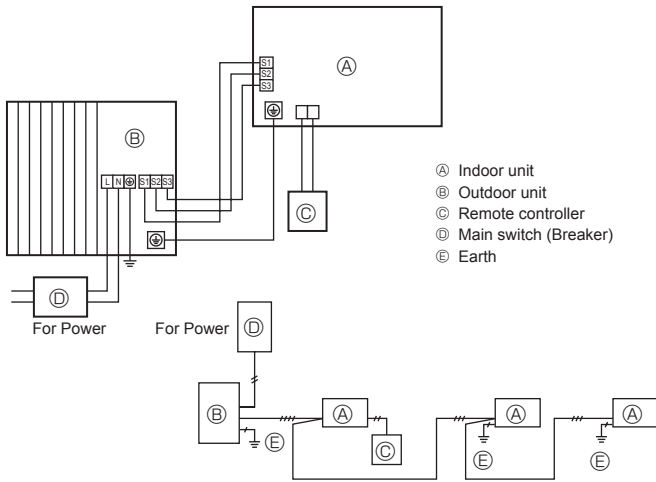


Fig. 6-1

#### ■ ZRP100-250

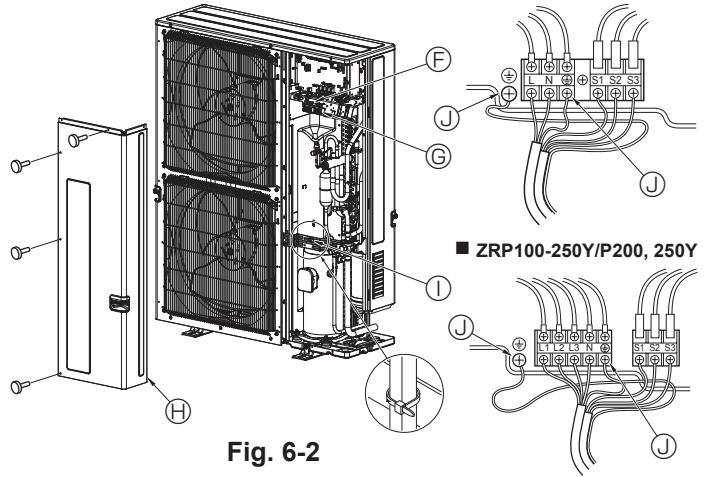


Fig. 6-2

- F Terminal block  
 G Indoor/Outdoor connection terminal block (S1, S2, S3)  
 H Service panel  
 I Clamp  
 J Earth terminal

**Note :**  
If the protective sheet for the electrical box is removed during servicing, be sure to reinstall it.

**Caution:**

Be sure to install N-Line. Without N-Line, it could cause damage to unit.

▶ In case of PEA-200, 250

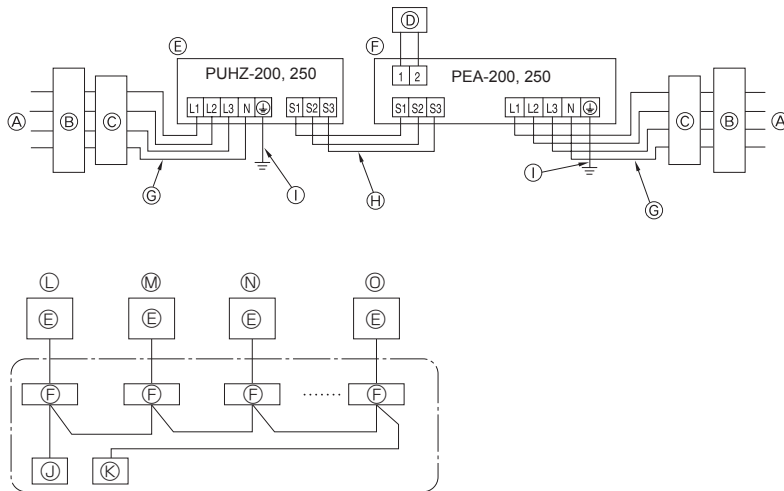


Fig. 6-3

## 6. Electrical work

### 6.2. Field electrical wiring

Outdoor unit model		ZRP100,125V	ZRP140V	ZRP100, 125, 140Y	ZRP200, 250/P200, 250
Outdoor unit power supply		~N (single), 50 Hz, 230 V	~N (single), 50 Hz, 230 V	3N~ (3 ph 4-wires), 50 Hz, 400 V	3N~ (3 ph 4-wires), 50 Hz, 400 V
Outdoor unit input capacity Main switch (Breaker) *1		32 A	40 A	16 A	32 A
Wiring Wire No. x size (mm <sup>2</sup> )	Outdoor unit power supply	3 × Min. 4	3 × Min. 6	5 × Min. 1.5	5 × Min. 4
	Indoor unit-Outdoor unit	*2 3 × 1.5 (Polar)	3 × 1.5 (Polar)	3 × 1.5 (Polar)	Cable length 50m: 3×4 (Polar) / Cable length 80m: 3×6 (Polar)
	Indoor unit-Outdoor unit earth	*2 1 × Min. 1.5	1 × Min. 1.5	1 × Min. 1.5	1 × Min. 2.5
	Remote controller-Indoor unit	*3 2 × 0.3 (Non-polar)	2 × 0.3 (Non-polar)	2 × 0.3 (Non-polar)	2 × 0.3 (Non-polar)
Circuit rating	Outdoor unit L-N (single)		230 VAC	230 VAC	230 VAC
	Outdoor unit L1-N, L2-N, L3-N (3 phase)	*4	230 VAC	230 VAC	230 VAC
	Indoor unit-Outdoor unit S1-S2	*4	230 VAC	230 VAC	230 VAC
	Indoor unit-Outdoor unit S2-S3	*4	24 VDC	24 VDC	24 VDC
	Remote controller-Indoor unit	*4	12 VDC	12 VDC	12 VDC

\*1. A breaker with at least 3.0 mm contact separation in each poles shall be provided. Use earth leakage breaker (NV).

Make sure that the current leakage breaker is one compatible with higher harmonics.

Always use a current leakage breaker that is compatible with higher harmonics as this unit is equipped with an inverter.

The use of an inadequate breaker can cause the incorrect operation of inverter.

\*2. (ZRP100-140)

Max. 45 m

If 2.5 mm<sup>2</sup> used, Max. 50 m

If 2.5 mm<sup>2</sup> used and S3 separated, Max. 80 m

(ZRP200, 250/P200, 250)

Max. 80 m Total Max. including all indoor/outdoor connection is 80 m.

• Use one cable for S1 and S2 and another for S3 as shown in the picture.

• Max. 50 m Total Max. for PEA. Wiring size 3 × 1.5 (Polar).

\*3. The 10 m wire is attached in the remote controller accessory.

\*4. The figures are NOT always against the ground.

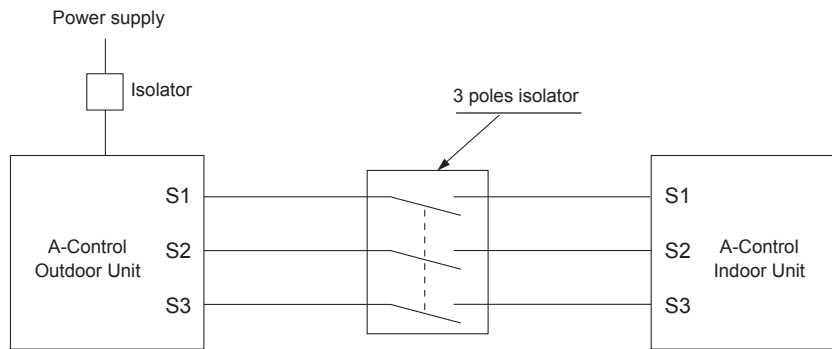
S3 terminal has 24 VDC against S2 terminal. However between S3 and S1, these terminals are NOT electrically insulated by the transformer or other device.



**Notes:** 1. Wiring size must comply with the applicable local and national code.

2. Power supply cords and Indoor/Outdoor unit connecting cords shall not be lighter than polychloroprene sheathed flexible cord. (Design 60245 IEC 57)

3. Use an earth wire which is longer than the other cords so that it will not become disconnected when tension is applied.



#### ⚠ Warning:

- In case of A-control wiring, there is high voltage potential on the S3 terminal caused by electrical circuit design that has no electrical insulation between power line and communication signal line. Therefore, please turn off the main power supply when servicing. And do not touch the S1, S2, S3 terminals when the power is energized. If isolator should be used between indoor unit and outdoor unit, please use 3-pole type.

Never splice the power cable or the indoor-outdoor connection cable, otherwise it may result in a smoke, a fire or communication failure.

#### INDOOR-OUTDOOR CONNECTING CABLE (ZRP200, 250/P200, 250)

Cross section of cable	Wire size (mm <sup>2</sup> )	Number of wires	Polarity	L (m)*6
Round	2.5	3	Clockwise : S1-S2-S3 *Pay attention to stripe of yellow and green	(30) *2
Flat	2.5	3	Not applicable (Because center wire has no cover finish)	Not applicable *5
Flat	1.5	4	From left to right : S1-Open-S2-S3	(18) *3
Round	2.5	4	Clockwise : S1-S2-S3-Open *Connect S1 and S3 to the opposite angle	(30) *4

\*1 :Power supply cords of appliances shall not be lighter than design 60245 IEC or 227 IEC.

\*2 :In case that cable with stripe of yellow and green is available.

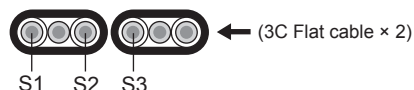
\*3 :In case of regular polarity connection (S1-S2-S3), wire size is 1.5 mm<sup>2</sup>.

\*4 :In case of regular polarity connection (S1-S2-S3).

\*5 :In the flat cables are connected as this picture, they can be used up to 30 m.

\*6 :Mentioned cable length is just a reference value.

It may be different depending on the condition of installation, humidity or materials, etc.



Be sure to connect the indoor-outdoor connecting cables directly to the units (no intermediate connections).

Intermediate connections can lead to communication error if water enters the cables and causes insufficient insulation to ground or a poor electrical contact at the intermediate connection point.

## 7. Test run

### 7.1. Before test run

- ▶ After completing installation and the wiring and piping of the indoor and outdoor units, check for refrigerant leakage, looseness in the power supply or control wiring, wrong polarity, and no disconnection of one phase in the supply.
- ▶ Use a 500-volt megohmmeter to check that the resistance between the power supply terminals and ground is at least 1 MΩ.
- ▶ Do not carry out this test on the control wiring (low voltage circuit) terminals.

⚠ **Warning:**

Do not use the air conditioner if the insulation resistance is less than 1 MΩ.

#### Insulation resistance

After installation or after the power source to the unit has been cut for an extended period, the insulation resistance will drop below 1 MΩ due to refrigerant accumulating in the compressor. This is not a malfunction. Perform the following procedures.

1. Remove the wires from the compressor and measure the insulation resistance of the compressor.
2. If the insulation resistance is below 1 MΩ, the compressor is faulty or the resistance dropped due the accumulation of refrigerant in the compressor.
3. After connecting the wires to the compressor, the compressor will start to warm up after power is supplied. After supplying power for the times indicated below, measure the insulation resistance again.

- The insulation resistance drops due to accumulation of refrigerant in the compressor. The resistance will rise above 1 MΩ after the compressor is warmed up for 12 hours.  
(The time necessary to warm up the compressor varies according to atmospheric conditions and refrigerant accumulation.)
  - To operate the compressor with refrigerant accumulated in the compressor, the compressor must be warmed up at least 12 hours to prevent breakdown.
4. If the insulation resistance rises above 1 MΩ, the compressor is not faulty.

⚠ **Caution:**

- **The compressor will not operate unless the power supply phase connection is correct.**
- **Turn on the power at least 12 hours before starting operation.**
- Starting operation immediately after turning on the main power switch can result in severe damage to internal parts. Keep the power switch turned on during the operational season.

▶ **The followings must be checked as well.**

- The outdoor unit is not faulty. LED1 and LED2 on the control board of the outdoor unit flash when the outdoor unit is faulty.
- Both the gas and liquid stop valves are completely open.
- A protective sheet covers the surface of the DIP switch panel on the control board of the outdoor unit. Remove the protective sheet to operate the DIP switches easily.

### 7.2. Test run

#### 7.2.1. Using SW4 in outdoor unit

SW4-1	ON	Cooling operation
SW4-2	OFF	
SW4-1	ON	Heating operation
SW4-2	ON	

- \* After performing the test run, set SW4-1 to OFF.
- After power is supplied, a small clicking noise may be heard from the inside of the outdoor unit. The electronic expansion valve is opening and closing. The unit is not faulty.
- A few seconds after the compressor starts, a clanging noise may be heard from the inside of the outdoor unit. The noise is coming from the check valve due to the small difference in pressure in the pipes. The unit is not faulty.

The test run operation mode cannot be changed by DIP switch SW4-2 during the test run. (To change the test run operation mode during the test run, stop the test run by DIP switch SW4-1. After changing the test run operation mode, resume the test run by switch SW4-1.)

#### 7.2.2. Using remote controller

Refer to the indoor unit installation manual.

**Note :** Occasionally, vapor that is made by the defrost operation may seem as if smoke come up from the outdoor unit.

## 8. Special Functions

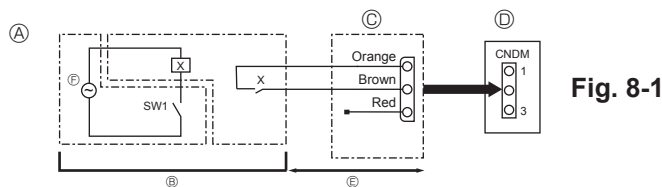


Fig. 8-1

- (A) Circuit diagram example (low noise mode)    (D) Outdoor unit control board  
 (B) On-site arrangement    (E) Max. 10 m  
 (C) External input adapter (PAC-SC36NA-E)    (F) Power supply for relay  
 X: Relay

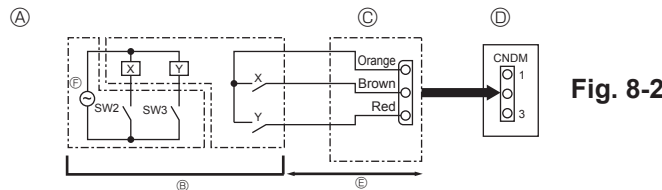


Fig. 8-2

- (A) Circuit diagram example (Demand function)    (C) External input adapter (PAC-SC36NA-E)  
 (B) On-site arrangement    (D) Outdoor unit control board  
 (E) Max. 10 m  
 (F) Power supply for relay  
 X, Y: Relay

### 8.1. Low noise mode (on-site modification) (Fig. 8-1)

By performing the following modification, operation noise of the outdoor unit can be reduced by about 3-4 dB.

The low noise mode will be activated when a commercially available timer or the contact input of an ON/OFF switch is added to the CNDM connector (option) on the control board of the outdoor unit.

- The ability varies according to the outdoor temperature and conditions, etc.

① Complete the circuit as shown when using the external input adapter (PAC-SC36NA-E). (Option)

② SW7-1 (Outdoor unit control board): OFF

③ SW1 ON: Low noise mode  
SW1 OFF: Normal operation

### 8.2. Demand function (on-site modification) (Fig. 8-2)

By performing the following modification, energy consumption can be reduced to 0-100% of the normal consumption.

The demand function will be activated when a commercially available timer or the contact input of an ON/OFF switch is added to the CNDM connector (option) on the control board of the outdoor unit.

① Complete the circuit as shown when using the external input adapter (PAC-SC36NA-E). (Option)

② By setting SW7-1 on the control board of the outdoor unit, the energy consumption (compared to the normal consumption) can be limited as shown below.

	SW7-1	SW2	SW3	Energy consumption
Demand function	ON	OFF	OFF	100%
		ON	OFF	75%
		ON	ON	50%
		OFF	ON	0% (Stop)

### 8.3. Refrigerant collecting (pump down)

Perform the following procedures to collect the refrigerant when moving the indoor unit or the outdoor unit.

① Supply power (circuit breaker).

- When power is supplied, make sure that "CENTRALLY CONTROLLED" is not displayed on the remote controller. If "CENTRALLY CONTROLLED" is displayed, the refrigerant collecting (pump down) cannot be completed normally.
- Start-up of the indoor-outdoor communication takes about 3 minutes after the power (circuit breaker) is turned on. Start the pump-down operation 3 to 4 minutes after the power (circuit breaker) is turned ON.

② After the liquid stop valve is closed, set the SWP switch on the control board of the outdoor unit to ON. The compressor (outdoor unit) and ventilators (indoor and outdoor units) start operating and refrigerant collecting operation begins. LED1 and LED2 on the control board of the outdoor unit are lit.

- Only set the SWP switch (push-button type) to ON if the unit is stopped. However, even if the unit is stopped and the SWP switch is set to ON less than 3 minutes after the compressor stops, the refrigerant collecting operation cannot be performed. Wait until compressor has been stopped for 3 minutes and then set the SWP switch to ON again.

③ Because the unit automatically stops in about 2 to 3 minutes when the refrigerant collecting operation is completed (LED1 off, LED2 lit), be sure to quickly close the gas stop valve. If LED1 is lit and LED2 is off and the outdoor unit is stopped, refrigerant collection is not properly performed. Open the liquid stop valve completely, and then repeat step ② after 3 minutes have passed.

- If the refrigerant collecting operation has been completed normally (LED1 off, LED2 lit), the unit will remain stopped until the power supply is turned off.

④ Turn off the power supply (circuit breaker).

- Note that when the extension piping is very long with large refrigerant amount, it may not be possible to perform a pump-down operation. When performing the pump-down operation, make sure that the low pressure is lowered to near 0 MPa (gauge).

#### ⚠ Warning:

**When pumping down the refrigerant, stop the compressor before disconnecting the refrigerant pipes. The compressor may burst if air etc. get into it.**

## 9. System control (Fig. 9-1)

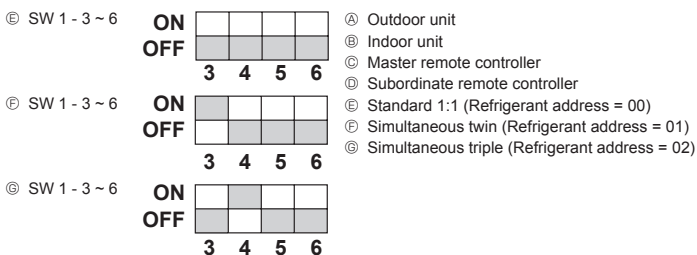


Fig. 9-1

- Set the refrigerant address using the DIP switch of the outdoor unit.

① Wiring from the Remote Control

This wire is connected to TB5 (terminal board for remote controller) of the indoor unit (non-polar).

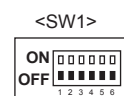
② When a Different Refrigerant System Grouping is Used.

Up to 16 refrigerant systems can be controlled as one group using the slim MA remote controller.

#### Note:

**In single refrigerant system (twin/triple), there is no need of wiring ②.**

SW1  
Function table



Function	Operation according to switch setting	
	ON	OFF
1 Compulsory defrosting	Start	Normal
2 Error history clear	Clear	Normal
3 Refrigerant system address setting	Settings for outdoor unit addresses 0 to 15	

## 10. Specifications

Outdoor model		PUHZ-ZRP 100VKA3	PUHZ-ZRP 125VKA3	PUHZ-ZRP 140VKA3	PUHZ-ZRP 100YKA3	PUHZ-ZRP 125YKA3	PUHZ-ZRP 140YKA3	PUHZ-ZRP 200YKA3	PUHZ-ZRP 250YKA3	PUHZ-P 200YKA3	PUHZ-P 250YKA3		
Power supply (V / Phase / Hz)		230 / Single / 50			400 / Three / 50								
Dimensions (W × H × D)		mm		1050 × 1338 × 330 (+40)									
Sound level *1	Cooling	dB (A)		49	50	50	49	50	50	59	59	58	59
	Heating	dB (A)		51	52	52	51	52	52	62	62	60	62

\*1 Measured under rated operation frequency.

## 11. Serial number

### ■ The serial number is indicated on the SPEC NAME PLATE.



Sequential number for each unit: 00001–99999

Month of manufacture: A (1), B (2), C (3), D (4), E (5), F (6), G (7), H (8), J (9), K (10), L (11), M (12)

Year of manufacture (western calendar) : 2014 → 4, 2015 → 5

1. Меры предосторожности.....	146	7. Выполнение испытания.....	156
2. Место установки.....	147	8. Специальные функции.....	157
3. Установка наружного прибора.....	149	9. Управление системой (Fig. 9-1).....	157
4. Прокладка труб хладагента.....	149	10. Технические характеристики.....	158
5. Дренажные трубы.....	153	11. Серийный номер.....	158
6. Электрические работы.....	154		

**⚠ Осторожно:**

- Не выпускайте R410A в атмосферу.

## 1. Меры предосторожности

▶ До установки прибора убедитесь, что Вы прочли все “Меры предосторожности”.

▶ Пожалуйста, проконсультируйтесь с органами электроснабжения до подключения системы.

▶ Оборудование соответствует IEC/EN 61000-3-12 (PUHZ-ZRP100/125/140VKA3)

▶ PUHZ-ZRP200/250Y, P200/250Y

“Данное оборудование соответствует требованиям IEC 61000-3-12 при условии, что мощность короткого замыкания  $S_{sc}$  превышает или равняется  $S_{sc} (*1)$  в точке контакта источника питания пользователя с системой энергоснабжения. Лицо, устанавливающее или использующее оборудование, обязано убедиться, что оборудование подключено к источнику питания, мощность короткого замыкания  $S_{sc}$  которого превышает или равна  $S_{sc} (*1)$ , а в случае необходимости проконсультироваться с оператором распределительных сетей.”

$S_{sc} (*1)$

Модель	$S_{sc}$ (MVA)
PUHZ-ZRP200Y, P200Y	1,35
PUHZ-ZRP250Y, P250Y	1,49

**⚠ Предупреждение:**

Описывает меры предосторожности, необходимые для предотвращения получения травмы или гибели пользователя.

**⚠ Осторожно:**

Описывает меры предосторожности, необходимые для предотвращения повреждения прибора.

После окончания установочных работ проинструктируйте пользователя относительно правил эксплуатации и обслуживания аппарата, а также ознакомьте с разделом “Мера предосторожности” в соответствии с информацией, приведенной в Руководстве по использованию аппарата, и выполните тестовый прогон аппарата для того, чтобы убедиться, что он работает нормально. Обязательно передайте пользователю на хранение экземпляры Руководства по установке и Руководства по эксплуатации. Эти Руководства должны быть переданы и последующим пользователям данного прибора.



⚡: Указывает, что данная часть должна быть заземлена.

**⚠ Предупреждение:**

Внимательно прочтите текст на этикетках главного прибора.

**⚠ Предупреждение:**

- Прибор не должен устанавливаться пользователем. Для выполнения установки прибора обратитесь к дилеру или сертифицированному техническому специалисту. Неправильная установка аппарата может повлечь за собой протечку воды, удар электрическим током или возникновение пожара.
- При установочных работах следуйте инструкциям в Руководстве по установке. Используйте инструменты и детали трубопроводов, специально предназначенные для использования с хладагентом марки R410A. Хладагент R410A в HFC-системе находится под давлением в 1,6 раза большим, чем давление, создаваемое при использовании обычных хладагентов. Если компоненты трубопроводов не предназначены для использования с хладагентом R410A, и аппарат установлен неправильно, трубы могут лопнуть и причинить повреждение или нанести травму. Кроме того, это может привести к утечке воды, поражению электрическим током или возникновению пожара.
- Прибор должен быть установлен согласно инструкциям, чтобы свести к минимуму риск повреждения от землетрясений, тайфунов или сильных порывов ветра. Неправильно установленный прибор может упасть и причинить повреждение или нанести травму.
- Прибор должен быть установлен на конструкции, способной выдержать его вес. Прибор, установленный на неустойчивой конструкции, может упасть и причинить повреждение или нанести травму.
- Если кондиционер установлен в небольшом помещении, необходимо принять меры для предотвращения концентрации хладагента свыше безопасных пределов в случае утечки хладагента. Проконсультируйтесь у дилера относительно соответствующих мер, предотвращающих превышение допустимой концентрации. В случае утечки хладагента и превышении допустимой его концентрации из-за нехватки кислорода в помещении может произойти несчастный случай.
- Если во время работы прибора произошла утечка хладагента, проветрите помещение. При контакте хладагента с пламенем образуются ядовитые газы.
- Все электроработы должны выполняться квалифицированным техническим специалистом в соответствии с местными правилами и инструкциями, приведенными в данном Руководстве. Приборы должны быть подключены к специально выделенным линиям электропитания с соответствующим напряжением через автоматические выключатели. Использование линий электропитания недостаточной мощности или неправильно проведенных линий может привести к поражению электрическим током или возникновению пожара.
- Для соединения медных или медносплавных бесшовных труб, предназначенных для хладагента, используйте медный фосфор C1220. Если трубы соединены неправильно, прибор не будет должным образом заземлен, что может привести к поражению электрическим током.

- Данное устройство предназначено для использования специалистами или обученным персоналом в магазинах, на предприятиях легкой промышленности и фермах или для коммерческого применения непрофессионалами.
- Используйте для проводки указанные кабели. Убедитесь, что кабели надежно соединены, а оконечные соединения не натянuty. Никогда не соединяйте кабели внахлест (если иное не указано в прилагаемой документации). Несоблюдение этих инструкций может привести к перегреву или возгоранию.
- Крышка наружного прибора должна быть надежно присоединена к прибору. Если крышка установлена неправильно, в прибор могут попасть пыль и влага, что может привести к поражению электрическим током или возникновению пожара.
- При монтаже или перемещении, а также при обслуживании кондиционера используйте только указанный хладагент (R410A) для заполнения трубопроводов хладагента. Не смешивайте его ни с каким другим хладагентом и не допускайте наличия воздуха в трубопроводах. Наличие воздуха в трубопроводах может вызвать скачки давления, в результате которых может произойти взрыв или другие повреждения. Использование любого хладагента, отличного от указанного для этой системы, вызовет механическое повреждение, сбой в работе системы, или выход устройства из строя. В наихудшем случае, это может послужить серьезной преградой к обеспечению безопасной работы этого изделия.
- Используйте только те дополнительные принадлежности, на которые имеется разрешение от Mitsubishi Electric; для их установки обратитесь к дилеру или уполномоченному техническому специалисту. Неправильная установка дополнительных принадлежностей может привести к протечке воды, поражению электрическим током или возникновению пожара.
- Не изменяйте конструкцию прибора. При необходимости ремонта обратитесь к дилеру. Если изменения или ремонт выполнены неправильно, это может привести к протечке воды, удару электрическим током или возникновению пожара.
- Пользователю не следует пытаться ремонтировать прибор или перемещать его на другое место. Если прибор установлен неправильно, это может привести к утечке воды, удару электрическим током или возникновению пожара. Если необходимо отремонтировать или переместить кондиционер, обратитесь к дилеру или уполномоченному техническому специалисту.
- По окончании установки убедитесь в отсутствии утечки хладагента. Если хладагент проникнет в помещение и произойдет контакт его с пламенем обогревателя или переносного пищевого нагревателя, образуются ядовитых газов.

### 1.1. Перед установкой

**⚠ Осторожно:**

- Не используйте прибор в нестандартной окружающей среде. Установка кондиционера в местах, подверженных воздействию пара, летучих масел (включая машинное масло) или сернистых испарений, местах с повышенной концентрацией соли (таких, как берег моря), или местах, где прибор будет засыпан снегом, может привести к значительному снижению эффективности работы прибора или повреждению его внутренних частей.
- Не устанавливайте прибор в местах, где возможна утечка, возникновение, приток или накопление горючих газов. Если горючий газ будет накапливаться вокруг прибора, это может привести к возникновению пожара или взрыву.

- При использовании режима обогрева на наружном приборе образуется конденсат. Удостоверьтесь, что обеспечен хороший дренаж в районе наружного прибора, если этот конденсат может принести какой-либо вред.
- При монтаже прибора в больнице или центре связи примите во внимание шумовое и электронное воздействие. Работа таких устройств, как инверторы, бытовые приборы, высокочастотное медицинское оборудование и оборудование радиосвязи может вызвать сбой в работе кондиционера или его поломку. Кондиционер также может повлиять на работу медицинского оборудования и медицинское обслуживание, работу коммуникационного оборудования, вызывая искажение изображения на дисплее.

# 1. Меры предосторожности

## 1.2. Перед установкой (перемещением)

### ⚠ Осторожно:

- Соблюдайте особую осторожность при транспортировке или установке приборов. Прибор должен переносить два или более человека, поскольку он весит не менее 20 кг. Не поднимайте прибор за упаковочные ленты. При извлечении прибора из упаковки или при его перемещении используйте защитные перчатки, во избежание травмирования рук о пластины или о другие выступающие части.
- Утилизируйте упаковочные материалы надлежащим образом. Упаковочные материалы, такие, как гвозди и другие металлические или деревянные части, могут поранить или причинить другие травмы.

- Необходимо периодически производить проверку основного блока наружного прибора и установленных на нем компонентов на разболтанность, наличие трещин или других повреждений. Если такие дефекты оставить неисправленными, прибор может упасть и причинить повреждение или нанести травму.
- Не мойте кондиционер водой. Это может привести к поражению электрическим током.
- Затягивайте все хомуты на муфтах в соответствии со спецификациями, используя ключ с регулируемым усилием. Слишком сильно затянутый хомут муфты по прошествии некоторого времени может сломаться, что вызовет утечку хладагента.

## 1.3. Перед электрическими работами

### ⚠ Осторожно:

- Обязательно установите автоматические выключатели. В противном случае возможно поражение электрическим током.
- Используйте для электропроводки стандартные кабели, рассчитанные на соответствующую мощность. В противном случае может произойти короткое замыкание, перегрев или пожар.
- При монтаже кабелей питания не прикладывайте растягивающих усилий. Если соединения ненадежны, кабель может отсоединиться или повраться, что может привести к перегреву или возникновению пожара.

- Обязательно заземлите прибор. Не присоединяйте провод заземления к газовым или водопроводным трубам, громоотводам или телефонным линиям заземления. Отсутствие надлежащего заземления может привести к поражению электрическим током.
- Используйте автоматические выключатели (прерыватель утечки тока на землю, разъединитель (плавкий предохранитель +В) и предохранитель корпуса) с указанным предельным током. Если предельный ток автоматического выключателя больше, чем необходимо, может произойти поломка или пожар.

## 1.4. Перед тестовым прогоном

### ⚠ Осторожно:

- Включайте главный выключатель питания не позднее, чем за 12 часов до начала эксплуатации. Запуск прибора сразу после включения выключателя питания может серьезно повредить внутренние части. Держите главный выключатель питания включенным в течение всего времени работы.
- Перед началом эксплуатации проверьте, что все пульты, щитки и другие защитные части правильно установлены. Вращающиеся, нагретые или находящиеся под напряжением части могут нанести травмы.
- Не прикасайтесь ни к каким выключателям влажными руками. Это может

- привести к поражению электрическим током.
- Не прикасайтесь к трубам с хладагентом голыми руками во время работы прибора. Трубы с хладагентом при работе прибора нагреваются или охлаждаются в зависимости от состояния циркулирующего хладагента. Прикосновение к трубам может привести к ожогу или обморожению.
- После остановки прибора обязательно подождите по крайней мере пять минут перед выключением главного выключателя питания. В противном случае возможна протечка воды или поломка прибора.

## 1.5. Использование кондиционеров с хладагентом R410A

### ⚠ Осторожно:

- Для соединения медных или медносплавных бесшовных труб, предназначенных для хладагента, используйте медный фосфор C1220. Удостоверьтесь, что внутри трубы чисты и не содержат никаких вредных загрязнителей, таких как соединения серы, окислители, мелкий мусор или пыль. Используйте трубы указанной толщины. (См. 4.1.) При использовании именуемых труб, которые применялись для хладагента R22, обратите внимание на следующее.
  - Замените хомуты на муфтах и перезатяните соединенные секции.
  - Не используйте тонкие трубы. (См. 4.1.)
- Храните трубы, предназначенные для установки в закрытом помещении, запечатанными, а также оставьте запечатанными их концы; распаковывайте их непосредственно перед пайкой. (Оставьте колеччатые трубы и т.д. в упаковке.) Если пыль, мелкий мусор или влага попадут в трубопроводы хладагента, может произойти порча масла или поломка компрессора.
- Используйте в качестве масла охлаждения для покрытия соединительных муфт масло сложного или простого эфира или алкинбензол (в небольшом количестве). Если в масле охлаждения присутствует минеральное масло, может произойти порча масла.
- Используйте только хладагент R410A. В случае использования другого хладагента хлор может испортить масло.

- Используйте нижеперечисленные инструменты, специально предназначенные для работы с хладагентом R410A. Для работы с хладагентом R410A необходимы следующие инструменты. При возникновении каких-либо вопросов обратитесь к ближайшему дилеру.

Инструменты (для R410A)	
Набор шаблонов	Инструмент для затяжки муфт
Шланг зарядки	Калибр регулирования размера
Детектор утечки газа	Адаптер вакуумного насоса
Ключ с регулируемым усилием	Электронный измеритель зарядки хладагента

- Используйте только специальные инструменты. Попадание пыли, мелкого мусора или влаги в трубопроводы хладагента может привести к порче масла охлаждения.
- Не используйте для зарядки баллон. Использование баллона для зарядки приведет к изменению состава хладагента и снижению эффективности работы прибора.

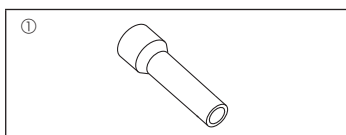


Fig. 1-1

## 1.6. Принадлежности наружного прибора (Fig. 1-1) (ZRP200/250, P200/250)

Детали, показанные слева, являются принадлежностями к данному прибору, и крепятся внутри сервисной панели.

- ① Арматура соединительной трубы..... x1
- (1) Установите хомут муфты, снятый с шарового клапана, на арматуре соединительной трубы и произведите вальцовку.
- (2) Арматуру соединительной трубы и трубу, приготовленную к монтажу, необходимо спаять безоксидным способом.
- (3) После пайки труб подсоедините арматуру соединительной трубы к шаровому клапану внутри прибора с помощью раструбного соединения.

\* Ни в коем случае не подсоединяйте арматуру соединительной трубы к шаровому клапану до пайки. В противном случае некоторые детали могут быть сожжены, и это может привести к утечке хладагента.

## 2. Место установки

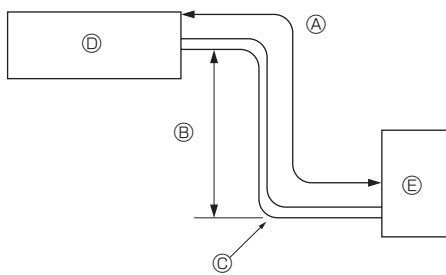


Fig. 2-1

### 2.1. Трубы хладагента (Fig. 2-1)

- Убедитесь в том, что перепад высоты между внутренним и наружным приборами, длина трубы хладагента и число изгибов в трубе не превышают указанных ниже пределов.

Модели	Ⓐ Длина трубы (в одну сторону)	Ⓑ Перепад высоты	Ⓒ Число изгибов (в одну сторону)
ZRP100, 125, 140	макс. 75 м	макс. 30 м	макс. 15
ZRP200, 250	макс. 100 м	макс. 30 м	макс. 15
P200, 250	макс. 70 м	макс. 30 м	макс. 15

- Соблюдение ограничений по перепаду высоты является обязательным вне зависимости от того, какой прибор, - внутренний или наружный - устанавливается выше.

- Ⓓ Внутренний прибор
- Ⓔ Наружный прибор



## 2. Место установки

- ZRP100, 125, 140, 200, 250
- P200, 250

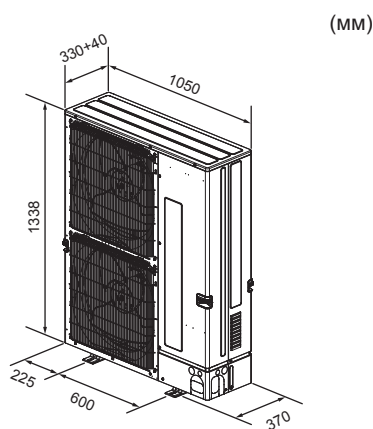


Fig. 2-2

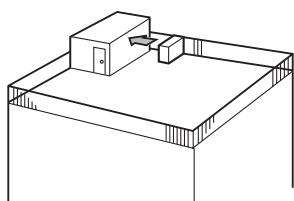


Fig. 2-3

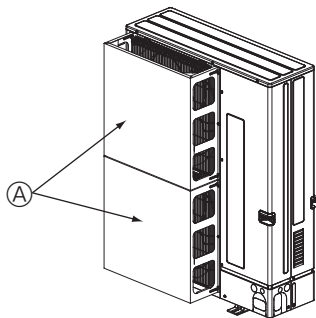


Fig. 2-4

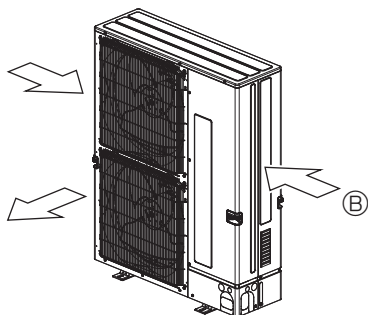


Fig. 2-5

### 2.2. Выбор места установки наружного прибора

- Не устанавливайте прибор в местах, подверженных воздействию прямых солнечных лучей или других источников нагрева.
- Выберите такое размещение, чтобы шум при работе прибора не беспокоил окружающих.
- Выберите место, удобное для проведения кабелей и трубопроводов к источнику питания и внутреннему прибору.
- Не устанавливайте прибор в местах, где возможна утечка, возникновение, приток или накопление горючих газов.
- Примите во внимание, что во время работы прибора из него может капать вода.
- Выберите место, способное выдержать вес и вибрацию прибора.
- Не устанавливайте прибор в местах, где он может быть засыпан снегом. В тех регионах, где возможны сильные снегопады, требуется принять специальные меры предосторожности (например, разместить прибор повыше или смонтировать на воздухозаборнике козырек) с целью предотвращения закупорки воздухозаборника снегом или прямого воздействия ветра. В противном случае возможно уменьшение потока воздуха, что может привести к сбою.
- Не устанавливайте прибор в местах, подверженных влиянию летучих масел, пара или сернистых испарений.
- Для транспортировки наружного прибора используйте четыре ручки, расположенные на приборе слева, справа, спереди и сзади. При переносе прибора за нижнюю часть можно придавить руки или пальцы.

### 2.3. Контурные габариты (Наружный прибор) (Fig. 2-2)

### 2.4. Вентиляция и сервисное пространство

#### 2.4.1. Установка в местах, где возможен сильный ветер

При монтаже наружного прибора на крыше или другом месте, не защищенном от ветра, расположите вентиляционную решетку прибора так, чтобы она не подвергалась воздействию сильного ветра. Сильный ветер, дующий прямо в выходное отверстие, может препятствовать нормальному потоку воздуха, что может привести к сбою. Ниже приведены три примера соблюдения мер предосторожности против сильного ветра.

- ① Расположите прибор так, чтобы выходное отверстие было направлено к самой близкой из доступных стен на расстоянии около 50 см от стены. (Fig. 2-3)
- ② Установите дополнительный воздуховод, если прибор установлен в месте, где сильный ветер от тайфуна и т.д. может попадать непосредственно в вентиляционную решетку. (Fig. 2-4)
  - Ⓐ Воздуховод
- ③ По возможности разместите прибор так, чтобы воздух из выходного отверстия выдувался в направлении, перпендикулярном к сезонному направлению ветра. (Fig. 2-5)
  - Ⓑ Направление ветра

#### 2.4.2. При установке одиночного наружного прибора (См. последнюю стр.)

Минимальные размеры включают, за исключением указанных Макс., значит Максимальных размеров, следующие размеры.

См. соответствующие значения для каждого случая.

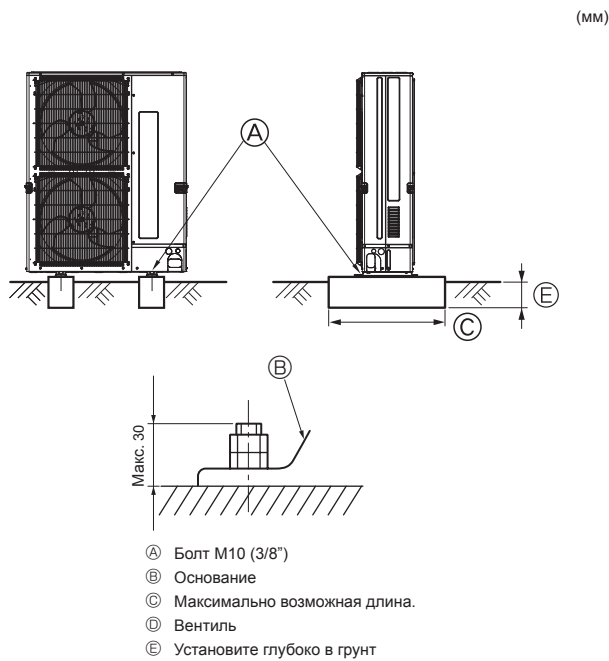
- ① Окружающие предметы - только сзади (Fig. 2-6)
- ② Окружающие предметы - только сзади и сверху (Fig. 2-7)
- ③ Окружающие предметы - только сзади и с боковых сторон (Fig. 2-8)
- ④ Окружающие предметы - только спереди (Fig. 2-9)
  - \* При использовании дополнительного воздухоотвода зазор должен составлять как минимум 500 мм.
- ⑤ Окружающие предметы - только спереди и сзади (Fig. 2-10)
  - \* При использовании дополнительного воздухоотвода зазор должен составлять как минимум 500 мм.
- ⑥ Окружающие предметы - только сзади, с боковых сторон и сверху (Fig. 2-11)
  - Не используйте дополнительные воздухопроводы для восходящего потока воздуха.

#### 2.4.3. При установке нескольких наружных приборов (См. последнюю стр.)

Для моделей ZRP100-250/P200, 250 оставьте между приборами расстояние как минимум 50 мм.

- ① Окружающие предметы - только сзади (Fig. 2-12)
- ② Окружающие предметы - только сзади и сверху (Fig. 2-13)
  - Не следует устанавливать рядом более трех приборов. Приборы должны находиться на указанном расстоянии друг от друга.
  - Не используйте дополнительные воздухопроводы для восходящего потока воздуха.
- ③ Окружающие предметы - только спереди (Fig. 2-14)
  - \* При использовании дополнительного воздухопровода выходного отверстия, расстояние для моделей ZRP100-250/P200, 250 должно быть 1000 мм или более.
- ④ Окружающие предметы - только спереди и сзади (Fig. 2-15)
  - \* При использовании дополнительного воздухопровода выходного отверстия, расстояние для моделей ZRP100-250/P200, 250 должно быть 1000 мм или более.
- ⑤ Расположение приборов в один горизонтальный ряд (Fig. 2-16)
  - \* При использовании дополнительного воздухопровода выходного отверстия для восходящего потока воздуха, расстояние должно быть 1000 мм или больше.
- ⑥ Расположение приборов в несколько горизонтальных рядов (Fig. 2-17)
  - \* При использовании дополнительного воздухопровода выходного отверстия для восходящего потока воздуха расстояние должно быть 1500 мм или более.
- ⑦ Расположение приборов вертикальными рядами (Fig. 2-18)
  - Можно вертикально расположить до двух приборов.
  - Рядом должно быть установлено не более двух вертикальных рядов. Приборы должны находиться на указанном расстоянии друг от друга.

### 3. Установка наружного прибора



- Обязательно устанавливайте прибор на твердой ровной поверхности для предотвращения его дребезжания во время эксплуатации. (Fig. 3-1)

<Требования к фундаменту>

Фундаментный болт	M10 (3/8")
Толщина бетона	120 мм
Длина болта	70 мм
Несущая способность	320 кг

- Убедитесь в том, что фундаментный болт в пределах 30 мм от нижней поверхности основания.
- Надежно прикрепите основание прибора с помощью четырех фундаментных болтов М10 к твердой поверхности.

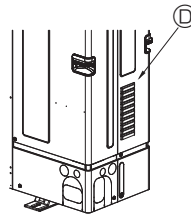
#### Установка наружного прибора

- Не блокируйте вентиль. Если вентиль заблокирован, это будет препятствовать работе, что может привести к поломке.
- Кроме предусмотренных изначально, используйте установочные отверстия в задней стенке прибора для подсоединения проводов и т.д., если возникнет такая необходимость. Для установки на место используйте шурупы-саморезы (Ø5 × Не более 15 мм).

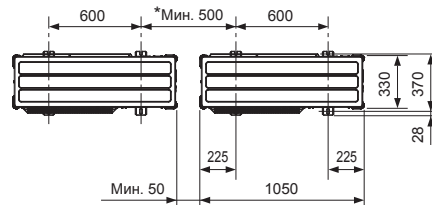
#### ⚠ Предупреждение:

- Прибор должен быть установлен на конструкции, способной выдержать его вес. Прибор, установленный на неустойчивой конструкции, может упасть и причинить повреждение или нанести травму.
- Прибор должен быть установлен согласно инструкциям, чтобы свести к минимуму риск повреждения от землетрясений, тайфунов или сильных порывов ветра. Неправильно установленный прибор может упасть и причинить повреждение или нанести травму.

#### ■ ZRP100-250/P200, 250



#### ■ ZRP100-250/P200, 250



\* При установке одиночного наружного прибора расстояние должно составлять как минимум 15 мм.

Fig. 3-1

### 4. Прокладка труб хладагента

#### 4.1. Меры предосторожности для устройств, в которых используется хладагент марки R410A

- См. 1.5. на которой приведены не перечисленные ниже меры предосторожности относительно использования кондиционеров с хладагентом R410A.
- Используйте в качестве масла охлаждения для покрытия соединительных муфт масло сложного или простого эфира или алкинбензол (небольшое количество).
- Для соединения медных или медносплавных бесшовных труб, предназначенных для хладагента, используйте медный фосфор С1220. Используйте трубы для хладагента соответствующей толщины для каждого случая; значения толщины приведены в таблице ниже. Удостоверьтесь, что внутри трубы чисты и не содержат никаких вредных загрязнителей, таких, как соединения серы, окислители, мелкий мусор или пыль. Во время твердой пайки труб всегда используйте неокисляющийся припой, иначе компрессор выйдет из строя.

#### ⚠ Предупреждение:

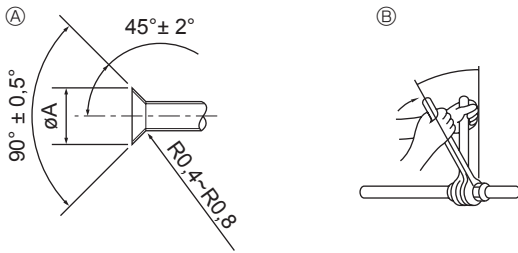
При монтаже или перемещении, а также при обслуживании кондиционера используйте только указанный хладагент (R410A) для заполнения трубопроводов хладагента. Не смешивайте его ни с каким другим хладагентом и не допускайте наличия воздуха в трубопроводах.

Наличие воздуха в трубопроводах может вызывать скачки давления, в результате которых может произойти взрыв или другие повреждения. Использование любого хладагента, отличного от указанного для этой системы, вызовет механическое повреждение, сбой в работе системы, или выход устройства из строя. В наихудшем случае, это может послужить серьезной преградой к обеспечению безопасной работы этого изделия.

Размер трубы (мм)	Ø6,35	Ø9,52	Ø12,7	Ø15,88	Ø19,05	Ø22,2	Ø25,4	Ø28,58
Толщина (мм)	0,8	0,8	0,8	1,0	1,0	1,0	1,0	1,0

- Не используйте трубы более тонкие, чем указано выше.
- Используйте трубы 1/2 N или N, если диаметр составляет 19,05 мм или больше.

## 4. Прокладка труб хладагента



А Раструбный стык - размеры  
Б Момент затяжки гайки раструбного стыка

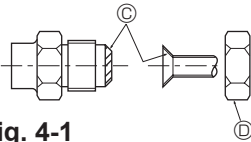


Fig. 4-1

А (Fig. 4-1)

Медная труба O.D. (мм)	Размеры раструба, диаметр А (мм)
ø6,35	8,7 - 9,1
ø9,52	12,8 - 13,2
ø12,7	16,2 - 16,6
ø15,88	19,3 - 19,7
ø19,05	23,6 - 24,0

Б (Fig. 4-1)

Медная труба O.D. (мм)	Гайка раструбного стыка O.D. (мм)	Момент затяжки (Н·м)
ø6,35	17	14 - 18
ø6,35	22	34 - 42
ø9,52	22	34 - 42
ø12,7	26	49 - 61
ø12,7	29	68 - 82
ø15,88	29	68 - 82
ø15,88	36	100 - 120
ø19,05	36	100 - 120

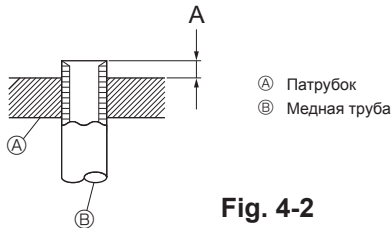
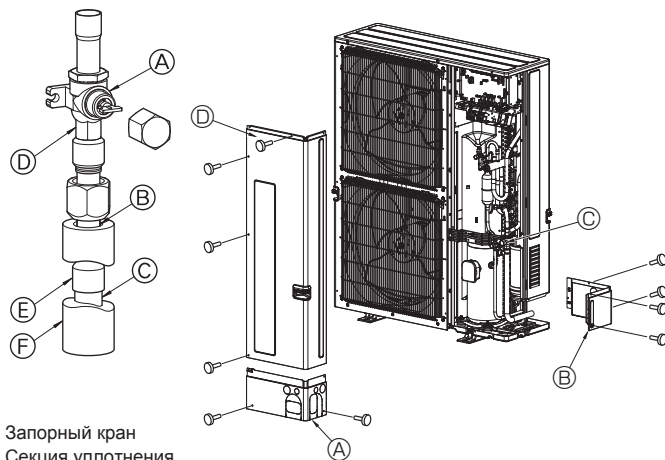
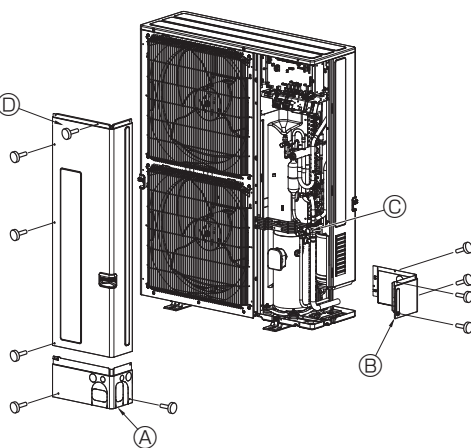


Fig. 4-2



А Запорный кран  
Б Секция уплотнения  
С Местная труба  
Д Сдвоенная секция для гаечного ключа  
Е Соединительная труба  
Ф Изоляция трубы

Fig. 4-3



А Передняя облицовочная панель  
Б Задняя облицовочная панель  
С Запорный кран  
Д Эксплуатационная панель  
Е Радиус изгиба: 100-150 мм

Fig. 4-4

### 4.2. Соединение труб (Fig. 4-1)

- При использовании медных труб, имеющихся в продаже, оберните трубы для жидкости и газа имеющимися в продаже изоляционными материалами (с теплозащитой от 100°C или выше, толщиной не менее 12 мм).
- Внутренняя часть дренажной трубы должна быть обернута в пенополиэтиленовый изолирующий материал (удельный вес 0,03; толщина 9 мм или более).
- Нанесите тонкий слой масла хладагента на контактную поверхность труб и соединений перед тем, как затягивать гайку с фланцем. А
- Для затягивания трубных соединений используйте два гаечных ключа. Б
- Используйте детектор утечки или мыльный раствор для проверки утечки газа после завершения всех соединений.
- Нанесите машинное масло охлаждения на всю поверхность области присоединения муфты. С
- Используйте гайки раструбного стыка для следующего размера трубы. Д

		ZRP100-140	ZRP200, P200	ZRP250, P250
Страна газа	Размер трубы (мм)	ø15,88	ø25,4	ø25,4
Страна жидкости	Размер трубы (мм)	ø9,52	ø9,52	ø12,7

- При изгибе труб будьте осторожны, чтобы не допустить их поломки. Рекомендуются радиусы изгиба от 100 мм до 150 мм.
- Удостоверьтесь, что трубы не соприкасаются с компрессором. Такое соприкосновение может вызывать лишний шум или вибрацию.

- 1 Соединение труб производится, начиная от внутреннего прибора. Хомуты на муфтах следует затягивать с помощью ключа с регулируемым усилием.
  - 2 Установите трубы для жидкости и для газа и нанесите тонкий слой масла охлаждения (на соответствующее место).
- В случае использования обычного уплотнения трубы, обратитесь к таблице 1 для справки о соединении труб для хладагента R410A. Для проверки размеров А можно использовать шаблон подгонки размера.

Таблица 1 (Fig. 4-2)

Медная труба O.D. (мм)	А (мм)	
	стыка для R410A	стыка для R22-R407C
	Инструмент раструбного	
ø6,35 (1/4")	0 - 0,5	1,0 - 1,5
ø9,52 (3/8")	0 - 0,5	1,0 - 1,5
ø12,7 (1/2")	0 - 0,5	1,0 - 1,5
ø15,88 (5/8")	0 - 0,5	1,0 - 1,5
ø19,05 (3/4")	0 - 0,5	1,0 - 1,5

- 3 Для соединения труб со стороны газа необходимо выполнить следующие операции. (Fig. 4-3)

1 Припаяйте соединительную трубу Б, предназначенную для присоединения к наружному прибору, используя твердый припой местного производства, и местную трубу В из бескислородной меди.

2 Присоедините соединительную трубу В к запорному крану со стороны газа. Используйте два ключа, чтобы затянуть гайку с фланцем.

\* Если выполнить операции в обратном порядке, произойдет утечка хладагента из-за повреждения деталей огнем паяльной лампы.

• Для PEA-RP200, 250WKA

Способ соединения труб - твердый припой.

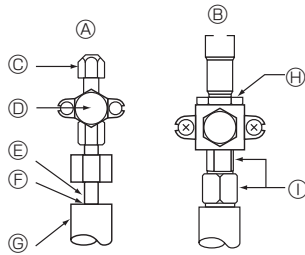
		PEA-200	PEA-250
Страна газа	Размер трубы (мм)	ø25,4	ø25,4
Страна жидкости	Размер трубы (мм)	ø9,52	ø12,7

### 4.3. Прокладка труб хладагента (Fig. 4-4)

Снимите эксплуатационную панель Д (4 винта), переднюю облицовочную панель А (2 винта) и заднюю облицовочную панель Б (4 винта).

- 1 Подсоедините трубопроводы хладагента к устройству, предназначенному для установки внутри/вне помещения, при полностью закрытом запорном вентиле устройства для установки вне помещения.
- 2 Произведите вакуумную продувку воздуха из внутреннего прибора и труб соединения.
- 3 После соединения труб хладагента проверьте соединенные трубы и внутренний прибор на наличие утечек газа. (См. 4.4. "Метод проверки герметичности трубопровода хладагента".)
- 4 Высокопроизводительный вакуумный насос установлен у сервисного порта запорного клапана для поддержания вакуума в течение соответствующего времени (по крайней мере, в течение одного часа после достижения разрежения в -101 кПа (5 торр)), чтобы обеспечить вакуумную сушку внутри труб. Всегда проверяйте степень вакуума в коллекторе манометра. Если в трубе имеются остатки влажности, степень вакуума при использовании кратковременного разрежения не достигается. После вакуумной сушки, полностью откройте запорные клапаны (и жидкостный, и газовый) наружного прибора. Эта процедура завершает соединение контуров охлаждающих жидкостей внутреннего и наружного приборов.
  - Если не произвести вакуумную сушку надлежащим образом, в контурах охлаждения останется воздух и пары воды, что может привести к ненормальному подъему высокого давления, ненормальному падению низкого давления, ухудшению масла охлаждающего агрегата по причине влаги и т.д.
  - Если оставить закрытыми запорные краны и включить прибор, это приведет к повреждению компрессора и крана контроля.
  - Проверьте места соединения труб наружного прибора на наличие утечек с помощью детектора утечки или мыльной воды.
  - Не используйте хладагент из прибора для удаления воздуха из трубопроводов хладагента.
  - По окончании всех операций с кранами закрутите колпачки кранов до соответствующего усилия: от 20 до 25 Н·м (от 200 до 250 кгс·см). Неправильная замена и закрытие колпачков могут привести к утечке хладагента. Кроме того, не повредите внутренние детали колпачков кранов, поскольку они служат уплотнителями, предотвращающими утечку хладагента.
- 5 Для предотвращения пропитывания изоляционного материала на торцах труб водой произведите уплотнение соединений трубопроводов герметиком.

## 4. Прокладка труб хладагента



- Ⓐ Запорный кран <для жидкости>
- Ⓑ Запорный кран <для газа>
- Ⓒ Стык для техобслуживания
- Ⓓ Секция открытия/закрытия
- Ⓔ Местная труба
- Ⓕ Герметизация, таким же образом для газовой стороны
- Ⓖ Покрытие трубы
- Ⓗ Не используйте здесь ключ. Иначе может произойти утечка хладагента.
- Ⓘ Здесь используйте два ключа.

Fig. 4-5

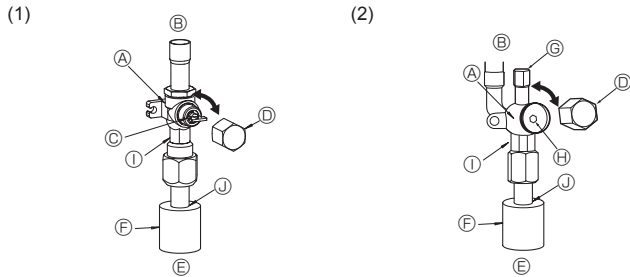


Fig. 4-6

Fig. 4-7

- Ⓐ Кран
- Ⓑ Со стороны блока
- Ⓒ Ручка
- Ⓓ Колпачок
- Ⓔ Со стороны местной трубы
- Ⓕ Изоляция трубы
- Ⓖ Стык для техобслуживания
- Ⓗ Отверстие под ключ
- Ⓘ Сдвоенная секция для гаечного ключа (Затягивайте ключом только эту секцию. Если использовать ключ с другими секциями, это приведет к утечкам хладагента.)
- Ⓚ Уплотнительная секция (Уплотните конец теплоизоляционного материала у секции трубного соединения любым уплотнительным материалом, имеющимся под рукой, чтобы вода не проникла в изоляционный материал.)

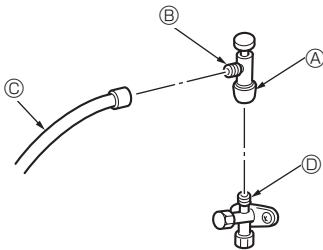


Fig. 4-8

- \* Рисунок, расположенный слева, приведён в качестве примера. Форма запорного клапана, положение сервисного порта и т.д. могут отличаться в зависимости от модели.
- \* Поверните только секцию Ⓐ. (Дополнительного затягивания секций Ⓐ и Ⓑ друг с другом не требуется.)
- Ⓒ Шланг заправки хладагента
- Ⓓ Сервисный порт

## 4.4. Метод проверки герметичности трубопровода хладагента (Fig. 4-5)

- (1) Подсоедините проверочные инструменты.
  - Убедитесь в том, что запорные краны Ⓐ и Ⓑ закрыты, и не открывайте их.
  - Подайте давление в трубопроводы хладагента через служебное отверстие Ⓒ запорного крана Ⓐ.
- (2) Не следует сразу подавать указанное давление полностью; увеличивайте давление постепенно.
  - ① Увеличьте давление до 0,5 МПа (5 кгс/см<sup>2</sup>G), подождите пять минут и удостоверьтесь, что давление не снизилось.
  - ② Увеличьте давление до 1,5 МПа (15 кгс/см<sup>2</sup>G), подождите пять минут и удостоверьтесь, что давление не снизилось.
  - ③ Увеличьте давление до 4,15 МПа (41,5 кгс/см<sup>2</sup>G) и измерьте температуру окружающего воздуха и давление хладагента.
- (3) Если указанное давление держится в течение приблизительно одного дня и не уменьшается, то трубы выдержали испытание и утечек нет.
  - При изменении температуры окружающего воздуха на 1°C давление изменяется приблизительно на 0,01 МПа (0,1 кгс/см<sup>2</sup>G). Произведите необходимые подстройки.
- (4) Если на этапах (2) или (3) наблюдается снижение давления, происходит утечка газа. Найдите источник утечки газа.

## 4.5. Способ открытия запорного крана

Метод открытия запорного клапана изменяется в зависимости от модели наружного прибора. Используйте надлежащий метод открытия запорных клапанов.

- (1) Для газа (Fig. 4-6)
  - ① Снимите колпачок, потяните ручку на себя и поверните на 1/4 оборота против часовой стрелки для открытия.
  - ② Убедитесь в том, что запорный кран полностью открыт, надавите на ручку и поверните колпачок в первоначальное положение.
- (2) Для жидкости (Fig. 4-7)
  - ① Снимите колпачок и поверните шток золотника против часовой стрелки до упора, используя для этой цели 4 мм шестиугольный гаечный ключ. Прекратите поворачивать шток в момент, когда тот достигнет стопора. (Ø9,52: Приблизительно 10 оборотов)
  - ② Убедитесь в том, что запорный кран полностью открыт, надавите на ручку и поверните колпачок в первоначальное положение.

Трубы для хладагента обматываются защитной изоляцией

- Трубы могут быть обернуты защитной изоляцией до диаметра Ø90 до или после соединения. Вырежьте кусок в покрытии трубы по канавке и оберните трубы. Входной зазор трубы
- Используйте замазку или герметик, чтобы загерметизировать входное отверстие для трубы и ликвидировать все щели. (Если имеются незакрытые отверстия, прибор может издавать шум, а также в него могут проникнуть вода и пыль, что может привести к поломке.)

## Меры предосторожности при использовании клапана заправки хладагента (Fig. 4-8)

Не затягивайте сервисный порт слишком сильно при установке, в противном случае возможна деформация сердечника клапана и его ослабление, что может стать причиной утечки газа.

После установки секции Ⓑ в необходимое положение, поверните только секцию Ⓐ и затяните ее.

Дополнительного затягивания секций Ⓐ и Ⓑ друг с другом после затягивания секции Ⓐ не требуется.

**⚠ Предупреждение:**  
При установке прибора надежно подсоедините трубы подачи охлаждающей жидкости до запуска компрессора.

## 4.6. Добавление хладагента

- Данный прибор не нуждается в дополнительной зарядке, если длина трубы не превышает 30 м.
- Если длина трубы превышает 30 м, дополнительно зарядите устройство хладагентом R410A. Допустимые длины труб указаны ниже.
  - \* При выключенном приборе заряжайте его добавочным количеством хладагента через жидкостный запорный кран после вакуумной продувки труб и внутреннего прибора. При включенном приборе добавляйте хладагент через кран контроля газа, используя прибор безопасной зарядки. Не добавляйте жидкий хладагент непосредственно через кран контроля.
  - \* После зарядки прибора хладагентом обратите внимание на количество добавочного хладагента на служебной метке (присоединенной к прибору). Дополнительная информация содержится в разделе "1.5. Использование кондиционеров с хладагентом R410A".

- Будьте осторожны при установке нескольких приборов. Присоединение не к нужному внутреннему прибору может привести к ненормально высокому давлению и оказать существенное влияние на эксплуатационные показатели прибора.

Модель	Разрешенная длина трубы	Разрешенный перепад высоты	Количество добавочного хладагента для зарядки			
			31 - 40 м	41 - 50 м	51 - 60 м	61 - 75 м
ZRP100-140	- 75 м	- 30 м	0,6 кг	1,2 кг	1,8 кг	2,4 кг

Наружный прибор	A+B+C+D					
	Количество дополнительно загружаемого хладагента (кг)					
	30 м и меньше	31 - 40 м	41 - 50 м	51 - 60 м	61 - 70 м	71 - 100 м
ZRP200	Дополнительная нагрузка не требуется	0,9 кг	1,8 кг	2,7 кг	3,6 кг	Рассчитайте количество дополнительно загружаемого хладагента с помощью формулы, приведенной на следующей странице
ZRP250		1,2 кг	2,4 кг	3,6 кг	4,8 кг	
P200		0,9 кг	1,8 кг	2,7 кг	3,6 кг	
P250		1,2 кг	2,4 кг	3,6 кг	4,8 кг	

## 4. Прокладка труб хладагента

Если длина превышает 70 м

Если общая длина трубопровода превышает 70 м, рассчитайте количество дополнительной загрузки с учетом следующих требований.  
Примечание: Если при расчете получается отрицательное число (т.е., "минус" загрузки), или если результат расчетов меньше, чем "Количество дополнительной загрузки для 70 м", осуществите дополнительную загрузку, используя "Количество дополнительной загрузки для 70 м".

Количество дополнительной загрузки (кг)	=	Главный трубопровод: Размер жидкостной линии ø12,7 общая длина × 0,11 (м) × 0,11 (кг/м)	+	Главный трубопровод: Размер жидкостной линии ø9,52 общая длина × 0,09 (Газовая линия: ø25,4) (м) × 0,09 (кг/м)	+	Отводной трубопровод: Размер жидкостной линии ø9,52 общая длина × 0,06 (Газовая линия: ø15,88) (м) × 0,06 (кг/м)	+	Отводной трубопровод: Размер жидкостной линии ø6,35 общая длина × 0,02 (м) × 0,02 (кг/м)	-	3,6 (кг)
Количество дополнительной загрузки для 70 метров		ZRP200		3,6 кг		ZRP250		4,8 кг		

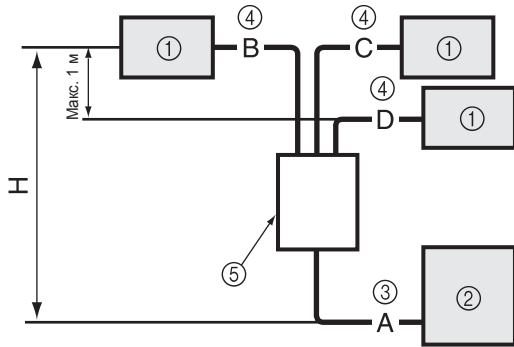


Fig. 4-9

- ① Внутренний прибор
- ② Наружный прибор
- ③ Главный трубопровод
- ④ Отводной трубопровод
- ⑤ Распределительная труба для нескольких приборов (дополнительно)

Наружный прибор : ZRP250 A: ø12,7 .....65 м  
Внутренний прибор 1 : ZRP71 B: ø9,52 .....5 м  
Внутренний прибор 2 : ZRP71 C: ø9,52 .....5 м  
Внутренний прибор 3 : ZRP71 D: ø9,52 .....5 м

Главный трубопровод ø12,7 равен A = 65 м  
Отводной трубопровод ø9,52 равен B + C + D = 15 м  
Следовательно, количество дополнительной загрузки составляет:  
65 × 0,12 + 15 × 0,06 - 3,6 = 5,1 (кг) (дробные части округляются)

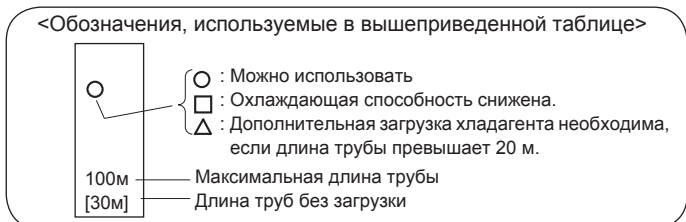
Объем повторно загружаемого хладагента (кг) при длине трубы менее 30 м (длина трубы без загрузки)

Наружный прибор	5 м и меньше	6 - 10 м	11 - 15 м	16 - 20 м	21 - 25 м	26 - 30 м
ZRP100-140	4,5	4,6	4,7	4,8	4,9	5,0
ZRP200	6,4	6,5	6,7	6,8	7,0	7,1
ZRP250	6,7	6,9	7,1	7,3	7,5	7,7
P200	5,8	5,9	6,1	6,2	6,4	6,5
P250	6,7	6,9	7,1	7,3	7,5	7,7

Максимальная длина трубы (ZRP200-ZRP250)

Труба для жидкости (мм)	O.D.	ø9,52				ø12,7				ø15,88			
	Толщина	t0,8				t0,8				t1,0			
Труба для газа (мм)	O.D.	ø19,05	ø22,2	ø25,4	ø28,58	ø19,05	ø22,2	ø25,4	ø28,58	ø22,2	ø25,4	ø28,58	ø31,75
	Толщина	t1,0	t1,0	t1,0	t1,0	t1,0	t1,0	t1,0	t1,0	t1,0	t1,0	t1,0	t1,1
ZRP200		□ 20м [20м]	□ 50м [30м]	○ Стандартный размер 100м [30м]	○ 100м [30м]	□ 20м [20м]	□ 50м [30м]	○ 100м [30м]	○ 100м [30м]	△□ 50м [20м]	△ 50м [20м]	△ 50м [20м]	△ 50м [20м]
ZRP250		□ 20м [20м]	□ 50м [30м]	○ 100м [30м]	○ 100м [30м]	□ 20м [20м]	□ 50м [30м]	○ Стандартный размер 100м [30м]	○ 100м [30м]	△□ 50м [20м]	△ 50м [20м]	△ 50м [20м]	△ 50м [20м]

Примечание: Трубы, диаметр которых превышает ø19,05, должны быть изготовлены из закаленного (с последующим отпуском) металла.



### ■ ZRP200, 250

Количество дополнительного хладагента при использовании трубы для жидкости большего диаметра

Система 1:1

Труба для жидкости	Если общая длина трубопровода превышает 20 м
ø15,88	Количество дополнительной загрузки $\Delta w$ (г) = 180 × Длина трубы (м) - 3000

\*  $\Delta w$  (г) ≤ 0 : Дополнительная загрузка не требуется.

Одновременная двойная/тройная/четверная система

Если общая длина трубопровода превышает 20 м (главный трубопровод и отводной трубопровод)
Количество дополнительной загрузки $\Delta w$ (г) = (180 × L1) + (120 × L2) + (90 × L3) + (30 × L4) - 3000

L1 : ø15,88 длина трубы для жидкости (м)

L2 : ø12,7 длина трубы для жидкости (м)

L3 : ø9,52 длина трубы для жидкости (м)

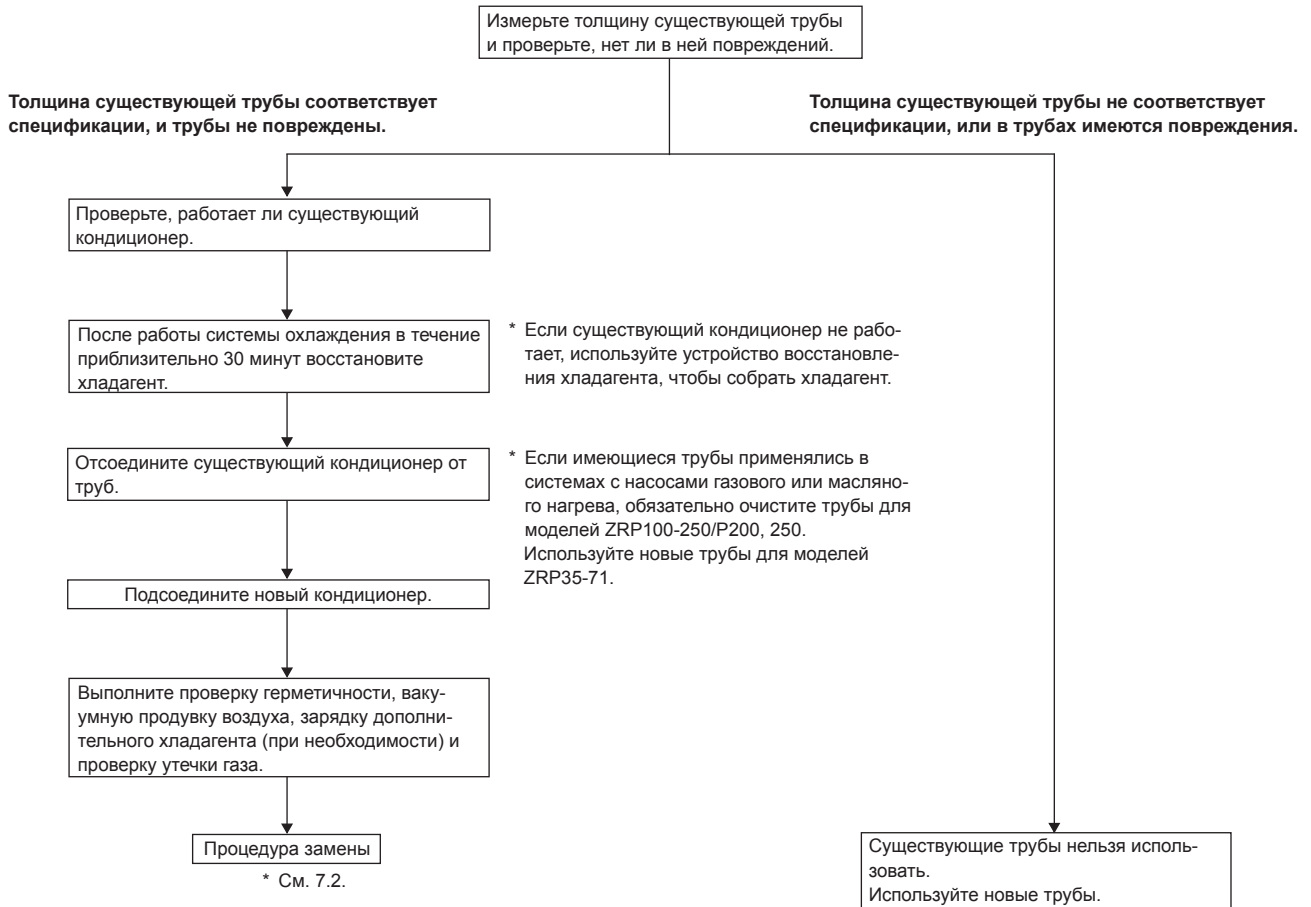
L4 : ø6,35 длина трубы для жидкости (м)

\*  $\Delta w$  (г) ≤ 0 : Дополнительная загрузка не требуется.

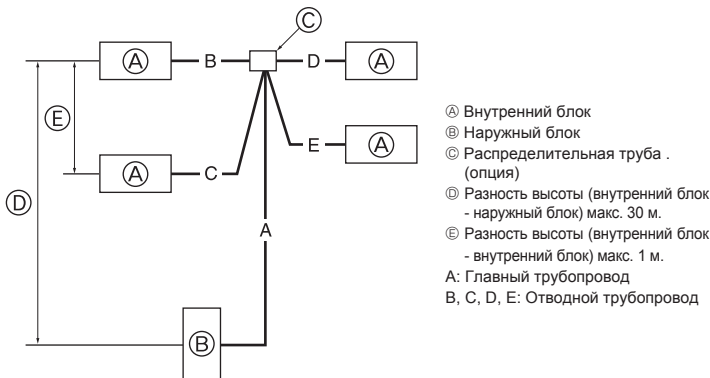
## 4. Прокладка труб хладагента

### 4.7. Предосторожности при использовании существующих труб для хладагента R22

- Чтобы определить, можно ли использовать существующие трубы и требуется ли устанавливать осушитель фильтра, обратитесь к таблице ниже.
- Если диаметр существующих труб отличается от указанного диаметра, обратитесь к материалам по технологическим данным, чтобы определить, можно ли использовать эти трубы.



<Ограничения по прокладке труб хладагента>



ZRP100 : A+B+C(+D) ≤ 75 м  
 ZRP125, 140 : A+B+C(+D)(+E) ≤ 75 м  
 ZRP200, 250 : A+B+C(+D)(+E) ≤ 100 м  
 P200, 250 : A+B+C(+D)(+E) ≤ 70 м  
 \* "D" означает "три".  
 \* "E" означает "четыре" (четверной).

Fig. 4-10

### 4.8. Для двойной/тройной/четверной комбинации (Fig. 4-10)

- Если данный прибор используется в качестве прибора УСТРОЙСТВО МНОГОКРАТНОГО СОРТИРОВАНИЯ, проложите трубы хладагента с учетом ограничений, указанных на чертеже слева. Кроме того, если предполагается, что ограничения будут превышены, или если будут комбинации из внутренних и наружных приборов, см. дополнительную информацию по монтажу в инструкциях по установке внутреннего прибора.

Наружный прибор	Допустимая общая длина труб A+B+C+D+E	A+B или A+C или A+D или A+E	Длина труб без загрузки A+B+C+D+E
ZRP100-140	75 м и меньше	—	30 м и меньше
ZRP200 ZRP250	100 м и меньше	100 м и меньше	30 м и меньше
P200 P250	70 м и меньше	70 м и меньше	30 м и меньше

Наружный прибор	B-C   или   B-D   или   B-E   или   C-D   или   C-E   или   D-E	Кол-во сгибов
ZRP100-250	8 м и меньше	В пределах 15

## 5. Дренажные трубы

### Соединение дренажных труб наружного прибора

При необходимости дренажа используйте сливное гнездо или дренажный поддон (дополнительно).

	ZRP100-250/P200, 250
Сливное гнездо	PAC-SG61DS-E
Дренажный поддон	PAC-SH97DP-E

## 6. Электрические работы

### 6.1. Наружный прибор (Fig. 6-1, Fig. 6-2)

- ① Снимите защитную панель.
  - ② Подсоедините кабели, как указано на Fig. 6-1 и Fig. 6-2.
- Кроме PEA-RP200, 250WKA

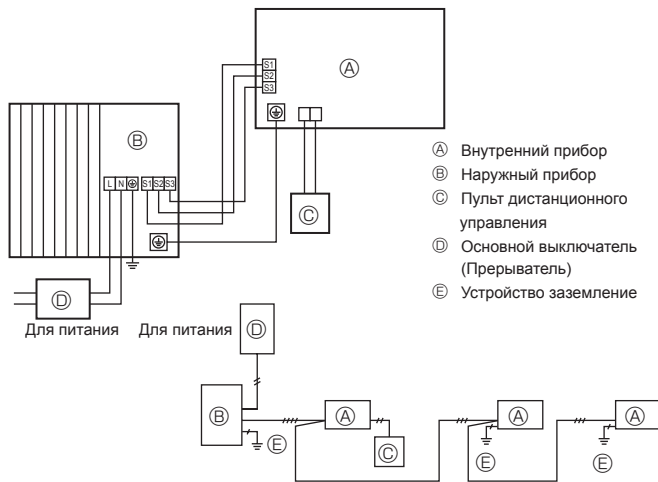


Fig. 6-1

■ ZRP100-250

■ ZRP100-140V

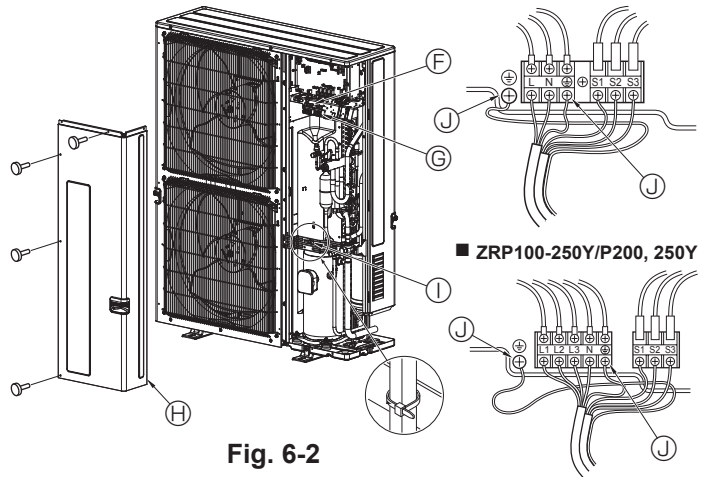


Fig. 6-2

- ⓕ Клемная колодка
- ⓖ Клемная колодка внутреннего/наружного подключения (S1, S2, S3)
- ⓗ Сервисная панель
- Ⓢ Клемма
- \* Прокладывайте кабели таким образом, чтобы они не соприкасались с центром эксплуатационной панели или с газовым клапаном.
- Ⓣ Клеммы заземления

**Примечание:**  
Если при обслуживании был снят защитный лист распределительной коробки, обязательно установите его на место.

**⚠ Осторожно:**  
Обязательно установите N-линию. Отсутствие N-линии может привести к повреждению устройства.

► В случае с PEA-200, 250

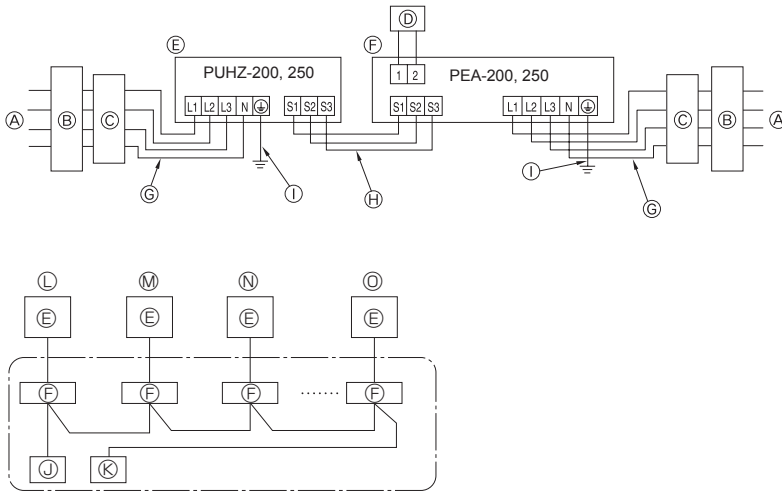


Fig. 6-3

- Ⓐ Источник питания
- Ⓑ Выключатель тока утечки на землю
- Ⓒ Прерыватель цепи или выключатель на объекте
- Ⓓ Пульт дистанционного управления ЖК-дисплеем
- Ⓔ Наружный блок
- Ⓕ Внутренний блок
- Ⓖ Силовые кабели
- Ⓗ Проводка внутреннего/наружного подключения
- Ⓢ Заземление
- Ⓣ Главный пульт дистанционного управления
- Ⓚ Подчиненный пульт дистанционного управления
- Ⓛ Стандарт (Адрес хладагента = 00)
- Ⓜ Адрес хладагента = 01
- Ⓝ Адрес хладагента = 02
- Ⓞ Адрес хладагента = 15

## 6. Электрические работы

### 6.2. Электропроводка на месте монтажа

Модель наружного прибора	ZRP100, 125V	ZRP140V	ZRP100, 125, 140Y	ZRP200, 250/P200, 250
Наружный прибор Электропитание	~N (однофазный), 50 Гц, 230 В	~N (однофазный), 50 Гц, 230 В	3N~ (3 ф 4 провода), 50 Гц, 400 В	3N~ (3 ф 4 провода), 50 Гц, 400 В
Входная мощность внутреннего прибора Главный выключатель (Прерыватель)	*1 32 А	40 А	16 А	32 А
Электропроводка на Провод № x размер (мм²)	Наружный прибор Электропитание	3 × Мин. 4	3 × Мин. 6	5 × Мин. 1,5
	Внутренний прибор-Наружный прибор	*2 3 × 1,5 (полярный)	3 × 1,5 (полярный)	3 × 1,5 (полярный)
	Заземление внутреннего/наружного прибора	*2 1 × Мин. 1,5	1 × Мин. 1,5	1 × Мин. 1,5
Мощность Цепи	Пульт дистанционного управления - Внутренний прибор	*3 2 × 0,3 (неполярный)	2 × 0,3 (неполярный)	2 × 0,3 (неполярный)
	Наружный прибор L-N (однофазный) Наружный прибор L1-N, L2-N, L3-N (3 фазы)	*4 230 Вольт перем. Тока	230 Вольт перем. Тока	230 Вольт перем. Тока
	Внутренний прибор-Наружный прибор S1-S2	*4 230 Вольт перем. Тока	230 Вольт перем. Тока	230 Вольт перем. Тока
	Внутренний прибор-Наружный прибор S2-S3	*4 24 Вольт пост. Тока	24 Вольт пост. Тока	24 Вольт пост. Тока
	Пульт дистанционного управления - Внутренний прибор	*4 12 Вольт пост. Тока	12 Вольт пост. Тока	12 Вольт пост. Тока

\*1. Используйте выключатель тока утечки на землю (NV) с расстоянием между контактами по крайней мере 3 мм для каждого полюса. Убедитесь в том, что используемый прерыватель утечки тока совместим с более высокой гармоникой. Всегда пользуйтесь прерывателем утечки тока, так как данный прибор оборудован инвертором. Прерыватель утечки тока, несовместимый с более высокой гармоникой, может стать причиной неправильной работы инвертора.

\*2. (ZRP100-140)

Макс. 45 м

Если используется 2,5 мм², макс. 50 м

Если используется 2,5 мм² и отдельный S3, макс. 80 м

(ZRP200, 250/P200, 250)

Макс. 80 м Предельный макс, включая все внутренние/ внутренние соединения составляет 80 м.

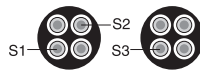
• Используйте один кабель для S1 и S2 и другой кабель для S3, как показано на рисунке.

• Макс. 50 м - Полная макс. длина для РЕА. Диаметр проводов 3 × 1,5 (полярный).

\*3. К аксессуару пульта дистанционного управления прилагается провод 10 м.

\*4. Величины HE всегда измерены относительно земли.

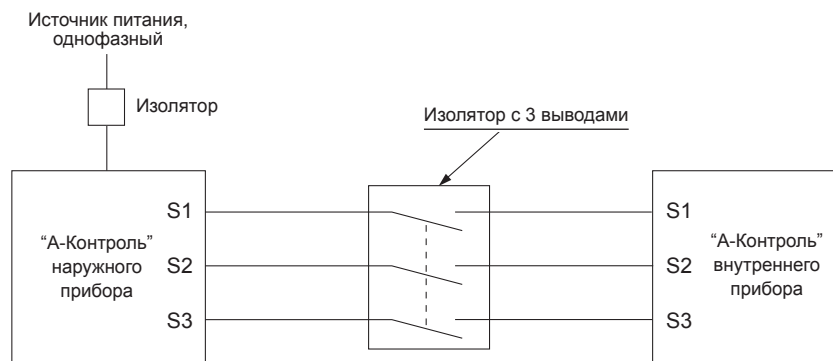
Разница потенциалов выводов S3 и S2 составляет 24 Вольт пост. Тока. Между выводами S3 и S1 нет электрической изоляции с помощью трансформатора или другого устройства.



**Примечания:** 1. Диаметр проводов должен соответствовать применимым местным и национальным нормам.

2. Силовые кабели и кабели соединения Внутреннего/Наружного прибора не должны быть легче экранированного гибкого провода из полихлоропрена (модель 60245 IEC 57).

3. Воспользуйтесь проводом заземления, который длиннее других проводов, чтобы он не отключился при подаче напряжения.



#### ⚠ Предупреждение:

- В случае прокладки кабелей А-управления на выводе S3 имеется высоковольтный потенциал, связанный с конструкцией электрической цепи, в которой отсутствует изоляция между силовой линией и линией сигнала связи. Поэтому при проведении сервисного обслуживания отключите основную источник питания. Не прикасайтесь к контактам S1, S2, S3, когда подается питание. Если требуется использовать изолятор между наружным и внутренним блоками, используйте 3-полюсного типа.

Никогда не подсоединяйте внахлест силовой кабель или соединительный кабель внешнего питания. Это может привести к задымлению, возгоранию или неисправности.

#### КАБЕЛЬ ПОДКЛЮЧЕНИЯ ВНУТРЕННЕГО И ВНЕШНЕГО БЛОКОВ (ZRP200, 250/P200, 250)

Поперечное сечение кабеля	Размер провода (мм²)	Количество проводов	Полярность	L (M)*6
Круглый	2,5	3	По часовой стрелке : S1-S2-S3 * Обратите внимание на желтую и зеленую полоски	(30) *2
Плоский	2,5	3	Неприменимо (Потому что центральный провод не имеет отделочной изоляции)	Неприменимо *5
Плоский	1,5	4	Слева направо : S1-разомкнуто-S2-S3	(18) *3
Круглый	2,5	4	По часовой стрелке : S1-S2-S3-разомкнуто * Подсоедините S1 b S3 на противоположном углу	(30) *4

\*1 : Шнуры питания устройств должны отвечать, по меньшей мере, требованиям 60245 IEC или 227 IEC.

\*2: В случае если имеется кабель с желтой и зеленой полосками.

\*3: В случае подсоединения с обычной полярностью (S1-S2-S3), размер про-вода равен 1,5 мм².

\*4: В случае подсоединения с обычной полярностью (S1-S2-S3).

\*5: Если плоские кабели подсоединяются так, как показано на данном рисунке, их длина может составлять 30 м.

\*6: Указанная длина кабеля приведена только в качестве справочного значения. Она может отличаться в зависимости от условий монтажа, влажности или материалов и т.п.



Обязательно подключайте соединительные кабели внутреннего и наружного приборов непосредственно к самим приборам (без промежуточных соединений). Промежуточные соединения могут привести к ошибкам связи, если в кабели попадет вода, которая приведет к недостаточной изоляции заземления или плохому электрическому контакту в точке промежуточного соединения.



## 7. Выполнение испытания

### 7.1. Перед пробным прогоном

- ▶ После завершения установки, прокладки труб и электропроводки внутреннего и наружного приборов проверьте отсутствие утечки хладагента, слабых соединений кабеля питания или проводов управления и неправильной полярности, а также убедитесь, что все фазы питания подключены.
- ▶ Измерьте сопротивление между терминалами источника электропитания и заземлением с использованием 500-вольтного меггера и убедитесь, что сопротивление составляет не менее 1 МΩ.
- ▶ Запрещается выполнять этот замер на терминалах проводах управления (цепь низкого напряжения).

#### ⚠ Предупреждение:

Не пользуйтесь кондиционером воздуха, если сопротивление изоляции ниже 1 МΩ.

#### Сопротивление изоляции

После установки или длительного отключения источника питания от прибора, сопротивление изоляции падает ниже 1 МΩ вследствие накопления хладагента в компрессоре. Это не является неисправностью. Выполните следующие действия.

1. Отключите от компрессора провода и измерьте сопротивление изоляции компрессора.
2. Если сопротивление изоляции ниже 1 МΩ, то компрессор неисправен или сопротивление упало вследствие накопления хладагента в компрессоре.
3. После подсоединения проводов к компрессору при подаче питания он начнет нагреваться. После подачи питания в течение нижеуказанных периодов времени, измерьте сопротивление изоляции еще раз.

- Сопротивление изоляции понижается из-за накопления хладагента в компрессоре. Сопротивление поднимется выше 1 МΩ после прогрева компрессора в течение 12 часов. (Время, в течение которого необходимо прогревать компрессор, зависит от атмосферных условий и количества накопленного хладагента.)
  - Чтобы использовать компрессор, в котором скопился хладагент, компрессор необходимо прогреть в течение по крайней мере 12 часов, чтобы предотвратить поломку.
4. Если сопротивление изоляции возрастает до значения свыше 1 МΩ, то компрессор исправен.

#### ⚠ Внимания:

- Компрессор не будет работать при неправильном подсоединении фаз источника электропитания.
- Подключите электропитание прибора не менее чем за 12 часов до начала работы.
- Запуск прибора сразу после подключения сетевого питания может серьезно повредить внутренние части прибора. Сетевой выключатель должен оставаться во включенном положении в течение всего периода эксплуатации прибора.

#### ▶ Выполните проверку следующего.

- Наружный прибор исправен. Если наружный прибор неисправен, на пульте управления наружного прибора мигают индикаторы LED1 и LED2.
- Запорные краны газа и жидкости полностью открыты.
- Защитный лист закрывает поверхность панели DIP-переключателей на пульте управления наружного прибора. Для облегчения работы с DIP-переключателями удалите защитный лист.

### 7.2. Выполнение испытания

#### 7.2.1. Использование SW4 в наружном блоке

SW4-1	ON (Вкл.)	Работа в режиме охлаждения
SW4-2	OFF (Выкл.)	
SW4-1	ON (Вкл.)	Работа в режиме охлаждения
SW4-2	ON (Вкл.)	

- \* После выполнения пробного прогона, установите SW4-1 на OFF (Выкл.).
- После подачи питания внутри наружного прибора могут появиться шумы (легкие щелчки). Это работа электронного клапана расширения (открытие и закрытие). Это не является неисправностью.
- Через несколько секунд после запуска компрессора внутри наружного прибора может появиться шум (лязг). Этот шум исходит от контрольного крана вследствие небольшого перепада давления в трубах. Это не является неисправностью.

Режим тестового прогона во время его выполнения невозможно изменить DIP-переключателем SW4-2. (Для смены режима тестового прогона во время его выполнения прервите выполнение с помощью DIP-переключателя SW4-1. После смены режима продолжайте выполнение тестового прогона, включив DIP-переключатель SW4-1.)

#### 7.2.2. Использование пульта дистанционного управления

См. руководство по установке внутреннего блока.

#### Примечание:

Иногда при возникновении испарений в процессе оттаивания может казаться, что наружный прибор дымится.

## 8. Специальные функции

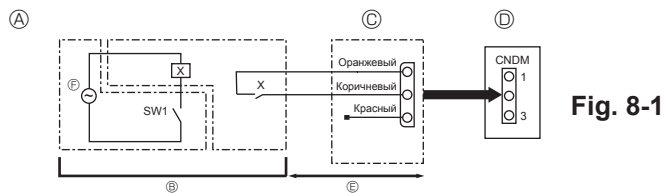


Fig. 8-1

- А Пример коммутационной схемы (режим низкого шума)  
 Б Размещение на месте  
 В Внешний входной адаптер (PAC-SC36NA-E)  
 X: Реле  
 Д Пульт управления наружным прибором  
 Е Максимум 10 м  
 F Питание на реле

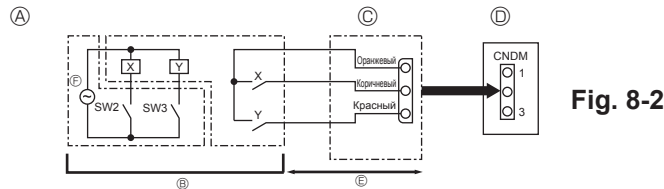


Fig. 8-2

- А Пример коммутационной схемы (Специальные функции)  
 Б Размещение на месте  
 В Внешний входной адаптер (PAC-SC36NA-E)  
 X, Y: Реле  
 Д Пульт управления наружным прибором  
 Е Максимум 10 м  
 F Питание на реле

### 8.1. Режим низкого шума (модификация “на месте”) (Fig. 8-1)

После выполнения нижеприведенной модификаций шум работы наружного прибора может быть уменьшен примерно на 3-4 дБ.

Режим низкого шума активизируется после подключения отдельно поставляемого таймера или подключения контактного входа переключателя “ON/OFF” к разъёму CNDM (также поставляется отдельно) на пульте управления наружного прибора.

- Эта возможность зависит от температуры и условий окружающей среды и т.д.
- ① При использовании внешнего входного адаптера (PAC-SC36NA-E) (поставляется отдельно) дополните электросхему как показано ниже.
- ② SW7-1 (Пульт управления наружным прибором): OFF
- ③ SW1 в положении ON: режим низкого шума  
SW1 в положении OFF: обычный режим

### 8.2. Специальные функции (модификация “на месте”) (Fig. 8-2)

После выполнения следующей модификации потребление электроэнергии можно снизить на 0-100% от обычного потребления.

Специальная функция активизируется после подключения отдельно поставляемого таймера или контактного входа переключателя ON/OFF к разъёму CNDM (также поставляется отдельно) на пульте управления наружного прибора.

- ① При использовании внешнего входного адаптера (PAC-SC36NA-E) (поставляется отдельно) дополните электросхему как показано ниже.
- ② Путём переключения SW7-1 на пульте управления наружного прибора, потребление электроэнергии (по сравнению с обычным потреблением) можно ограничить следующим образом.

	SW7-1	SW2	SW3	Потребление электроэнергии
Специальные функции	ON	OFF	OFF	100%
		ON	OFF	75%
		ON	ON	50%
		OFF	ON	0% (Останов)

### 8.3. Восстановление хладагента (откачка)

После перемещения внутреннего или наружного прибора выполните следующие действия для восстановления хладагента:

- Включите питание (автоматическим выключателем).
  - \* После подачи питания удостоверьтесь, что на пульте дистанционного управления не отображается сообщение “CENTRALLY CONTROLLED”. Если отображается сообщение “CENTRALLY CONTROLLED”, то процедуру восстановления хладагента нельзя завершить обычным путем.
  - \* Взаимодействие внешнего и внутреннего модулей начинается спустя 3 минуты после включения питания (автоматического выключателя). Начните откачку через 3-4 минуты после включения питания (автоматического выключателя).
- После закрытия запорного крана жидкости установите переключатель SWP на пульте управления наружного прибора в положение ON. Компрессор (наружный прибор) и вентиляторы (внутренний и наружный приборы) начинают работать, и начинается процедура восстановления хладагента. На пульте управления наружного прибора горят индикаторы LED1 и LED2.
  - \* Устанавливайте переключатель SWP (кнопочного типа) в положение ON только при выключенном приборе. Однако даже если прибор остановлен, но переключатель SWP установлен в положение ON менее чем через 3 минуты после остановки компрессора, процедура восстановления хладагента не может быть выполнена. Подождите 3 минуты с момента остановки компрессора, и затем вновь установите переключатель SWP в положение ON.

- Поскольку прибор автоматически останавливается через 2-3 минуты после завершения сбора охлаждающей жидкости (светодиод LED1 выключен, светодиод LED2 горит), следует быстро закрыть газовый запорный клапан. Если при остановленном наружном приборе светодиод LED1 светится, а светодиод LED2 не горит, сбор охлаждающей жидкости выполнен неправильно. Полностью откройте запорный клапан для жидкости, а потом повторите шаг ② через 3 минуты.

- \* Если сбор охлаждающей жидкости выполнен надлежащим образом (светодиод LED1 выключен, светодиод LED2 горит), прибор останется в выключенном состоянии, пока не будет выключено питание.
- ④ Отключите питание (автоматическим выключателем).
  - \* Следует иметь в виду, что при использовании удлинительных труб слишком большой длины при большом количестве охлаждающей жидкости выполнить откачку, возможно, не удастся. При осуществлении операции откачки, убедитесь, что низкое давление упало примерно до 0 МПа (ман.ом.).

#### ⚠ Предупреждение:

При откачке охлаждающей жидкости, прежде чем отсоединить трубы, следует остановить компрессор. Попадание внутрь компрессора воздуха и т.п. может привести к взрыву.

## 9. Управление системой (Fig. 9-1)



Fig. 9-1

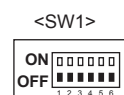
\* Установите адрес хладагента, используя ДИП-переключатель на наружном приборе.

- Электропроводка от пульта дистанционного управления. Данный провод подсоединен к TB5 (щит терминалов для пульта дистанционного управления) наружного прибора (неполярный).
- При использовании другой схемы группировки системы хладагента. С помощью одного тонкого пульта дистанционного управления МА можно управлять до 16 системами хладагента, как одной группой.

#### Примечание:

В схеме с одной системой хладагента (двойная/утроенная), выполнение электропроводки ② не требуется.

SW1  
Таблица функций



	Функция	Работа в соответствии с положением переключателей	
		ON	OFF
SW1 - настройка функций	1 Принудительное размораживание	Пуск	Нормальный
	2 Сброс хронологии ошибок	Сброс	Нормальный
	3 Установка адреса системы охлаждения	Установка адресов наружных блоков - от 0 до 15	
	4		
	5		
	6		

## 10. Технические характеристики

Наружный прибор		PUHZ-ZRP 100VKA3	PUHZ-ZRP 125VKA3	PUHZ-ZRP 140VKA3	PUHZ-ZRP 100YKA3	PUHZ-ZRP 125YKA3	PUHZ-ZRP 140YKA3	PUHZ-ZRP 200YKA3	PUHZ-ZRP 250YKA3	PUHZ-P 200YKA3	PUHZ-P 250YKA3
Питание (В / Фаза / Гц)		230 / Однофазный / 50			400 / Трехфазный / 50						
Размеры (В × Ш × Г)		1050 × 1338 × 330 (+40)									
Уровень шума *1	Охлаждение	49	50	50	49	50	50	59	59	58	59
	Обогрев	51	52	52	51	52	52	62	62	60	62

\*1 Измерение выполнено при номинальной рабочей частоте.

## 11. Серийный номер

### ■ Серийный номер указан на заводской табличке спецификации.



Последовательные номера для каждого устройства: 00001–99999

Месяц изготовления: А (1), В (2), С (3), D (4), Е (5), F (6), G (7), Н (8), J (9), K (10), L (11), M (12)

Год изготовления (западный календарь) : 2014 → 4, 2015 → 5

Название Компании: ООО «Мицубиси Электрик (РУС)»

Адрес: 115114, Российская Федерация, г. Москва, ул. Летниковская, д. 2, стр. 1, 5 этаж

EC DECLARATION OF CONFORMITY  
EG-KONFORMITÄTSEKTLÄRUNG  
DÉCLARATION DE CONFORMITÉ CE  
EG-CONFORMITEITSVERKLARING

DECLARACIÓN DE CONFORMIDAD CE  
DICHIARAZIONE DI CONFORMITÀ CE  
ΔΗΛΩΣΗ ΠΙΣΤΟΤΗΤΑΣ ΕΚ  
DECLARAÇÃO DE CONFORMIDADE CE

EU-OVERENSSTEMMELSESEKTLÆRING  
EG-DEKLARATION OM ÖVERENSSTÄMMELSE  
EC UYGUNLUK BEYANI

ДЕКЛАРАЦИЯ СООТВЕТСТВИЯ НОРМАМ ЕС  
CE-ERKLÆRING OM SAMSVAR  
DEKLARACJA ZGODNOŚCI WE

**MITSUBISHI ELECTRIC AIR CONDITIONING SYSTEMS EUROPE LTD.**  
**NETTLEHILL ROAD, HOUSTOUN INDUSTRIAL ESTATE, LIVINGSTON, EH54 5EQ, SCOTLAND, UNITED KINGDOM**

herby declares under its sole responsibility that the air conditioners and heat pumps described below for use in residential, commercial and light-industrial environments:  
erklärt hiermit auf seine alleinige Verantwortung, dass die Klimaanlage und Wärmepumpen für das häusliche, kommerzielle und leicht-industrielle Umfeld wie unten beschrieben:  
déclare par la présente et sous sa propre responsabilité que les climatiseurs et les pompes à chaleur décrits ci-dessous, destinés à un usage dans des environnements résidentiels, commerciaux et d'industrie légère :  
verklaart hierbij onder eigen verantwoordelijkheid dat de voor residentiële, commerciële en licht-industriële omgevingen bestemde airconditioners en warmtepompen zoals onderstaand beschreven:  
por la presente declara bajo su única responsabilidad que los acondicionadores de aire y bombas de calor descritas a continuación para su uso en entornos residenciales, comerciales y de industria ligera:  
conferma con la presente, sotto la sua esclusiva responsabilità, che i condizionatori d'aria e le pompe di calore descritti di seguito e destinati all'utilizzo in ambienti residenziali, commerciali e semi-industriali:  
με το παρόν πιστοποιώ με αποκλειστική της ευθύνη ότι οι τα κλιματιστικά και οι αντλίες θέρμανσης που περιγράφονται παρακάτω για χρήση σε οικιακό, επαγγελματικό και ελαφριάς βιομηχανίας περιβάλλοντα:  
através da presente declara sob sua única responsabilidade que os aparelhos de ar condicionado e bombas de calor abaixo descritos para uso residencial, comercial e de indústria ligeira:  
erklærer hermed under eneansvar, at de herunder beskrevne airconditionanlæg og varmepumper til brug i privat boligbyggeri, erhvervsområder og inden for let industri:  
intyggar härmed att luftkonditioneringarna och värmepumparna som beskrivs nedan för användning i bostäder, kommersiella miljöer och lätta industriella miljöer:  
ev, ticaret ve hafif sanayi ortamlarında kullanım amaçlı üretilen ve aşağıda açıklanan klima ve ısıtma pompalarıyla ilgili aşağıdaki hususları yalnızca kendi sorumluluğunda beyan eder:  
настоящим заявляет и берет на себя исключительную ответственность за то, что кондиционеры и тепловые насосы, описанные ниже и предназначенные для эксплуатации в жилых помещениях, торговых залах и на предприятиях легкой промышленности:  
erklærer et fullstendig ansvar for undernevnte klimaanlegg og varmepumper ved bruk i boliger, samt kommersielle og lettindustrielle miljøer:  
niniejszym oświadczam na swoją wyłączną odpowiedzialność, że klimatyzatory i pompy ciepła opisane poniżej, są przeznaczone do zastosowań w środowisku mieszkalnym, handlowym i lekko przemysłowym:

**MITSUBISHI ELECTRIC, PUHZ-ZRP100VKA\*, PUHZ-ZRP100YKA\*, PUHZ-ZRP125VKA\*  
PUHZ-ZRP125YKA\*, PUHZ-ZRP140VKA\*, PUHZ-ZRP140YKA\*  
\* : , , 1, 2, 3, . . . , 9**

Note: Its serial number is on the nameplate of the product.  
Hinweis: Die Seriennummer befindet sich auf dem Kennschild des Produkts.  
Remarque : Le numéro de série de l'appareil se trouve sur la plaque du produit.  
Opmerking: het serienummer staat op het naamplaatje van het product.  
Nota: El número de serie se encuentra en la placa que contiene el nombre del producto.  
Nota: il numero di serie si trova sulla targhetta del prodotto.  
Σημείωση: Ο σειριακός του αριθμός βρίσκεται στην πινακίδα ονόματος του προϊόντος.

Nota: o número de série encontra-se na placa que contém o nome do produto.  
Bemærk: Serienummeret står på produktets fabriksskilt.  
Obs: Serienumret finns på produktens namnplåt.  
Not: Seri numarasi ürünün isim plakasında yer alır.  
Примечание: серийный номер указан на паспортное табличке изделия.  
Merk: Serienummeret befinner seg på navneplaten til produktet.  
Uwaga: Numer seryjny znajduje się na tabliczce znamionowej produktu.

Directives	Directivas
Richtlijnen	Direktiver
Directives	Direktiv
Richtlijnen	Direktifler
Directivas	Директивы
Direttive	Direktiver
Οδηγίες	Dyrektywy

2014/35/EU: Low Voltage  
2006/42/EC: Machinery  
2014/30/EU: Electromagnetic Compatibility  
2009/125/EC: Energy-related Products \*  
\* Only ZRP 100  
2011/65/EU: RoHS

Issued:  
UNITED KINGDOM

20 Apr. 2016

Takashi TANABE  
Manager, Quality Assurance Department

EC DECLARATION OF CONFORMITY  
EG-KONFORMITÄTSERKLÄRUNG  
DÉCLARATION DE CONFORMITÉ CE  
EG-CONFORMITEITSVERKLARING

DECLARACIÓN DE CONFORMIDAD CE  
DICHIARAZIONE DI CONFORMITÀ CE  
ΔΗΛΩΣΗ ΠΙΣΤΟΤΗΤΑΣ ΕΚ  
DECLARAÇÃO DE CONFORMIDADE CE

EU-ÖVERENSSTÄMMELSEERKLÄRING  
EG-DEKLARATION OM ÖVERENSSTÄMMELSE  
EC UYGUNLUK BEYANI

ДЕКЛАРАЦИЯ СООТВЕТСТВИЯ НОРМАМ ЕС  
CE-ERKLÆRING OM SAMSVAR  
DEKLARACJA ZGODNOŚCI WE

**mitsubishi electric air conditioning systems europe ltd.**  
**nettlehill road, houstoun industrial estate, livingston, eh54 5eq, scotland, united kingdom**

hereby declares under its sole responsibility that the air conditioners and heat pumps described below for use in residential, commercial and light-industrial environments:  
erklärt hiermit auf seine alleinige Verantwortung, dass die Klimaanlage und Wärmepumpen für das häusliche, kommerzielle und leicht-industrielle Umfeld wie unten beschrieben:  
déclare par la présente et sous sa propre responsabilité que les climatiseurs et les pompes à chaleur décrits ci-dessous, destinés à un usage dans des environnements résidentiels, commerciaux et d'industrie légère :  
verklaart hierbij onder eigen verantwoordelijkheid dat de voor residentiële, commerciële en licht-industriële omgevingen bestemde airconditioners en warmtepompen zoals onderstaand beschreven:  
por la presente declara bajo su única responsabilidad que los acondicionadores de aire y bombas de calor descritas a continuación para su uso en entornos residenciales, comerciales y de industria ligera:  
conferma con la presente, sotto la sua esclusiva responsabilità, che i condizionatori d'aria e le pompe di calore descritti di seguito e destinati all'utilizzo in ambienti residenziali, commerciali e semi-industriali:  
με το παρόν πιστοποιώ με αποκλειστική της ευθύνη ότι οι τα κλιματιστικά και οι αντλίες θέρμανσης που περιγράφονται παρακάτω για χρήση σε οικιακό, επαγγελματικό και ελαφριάς βιομηχανίας περιβάλλοντα:  
através da presente declara sob sua única responsabilidade que os aparelhos de ar condicionado e bombas de calor abaixo descritos para uso residencial, comercial e de indústria ligeira:  
erklærer hermed under eneansvar, at de herunder beskrevne airconditionanlæg og varmepumper til brug i privat boligbyggeri, erhvervsområder og inden for let industri:  
intyggar härmed att luftkonditioneringarna och värmepumparna som beskrivs nedan för användning i bostäder, kommersiella miljöer och lätta industriella miljöer:  
ev, ticaret ve hafif sanayi ortamlarında kullanım amaçlı üretilen ve aşağıda açıklanan klima ve ısıtma pompalarıyla ilgili aşağıdaki hususları yalnızca kendi sorumluluğunda beyan eder:  
настоящим заявляет и берет на себя исключительную ответственность за то, что кондиционеры и тепловые насосы, описанные ниже и предназначенные для эксплуатации в жилых помещениях, торговых залах и на предприятиях легкой промышленности:  
erklærer et fullstendig ansvar for undernevnte klimaanlegg og varmepumper ved bruk i boliger, samt kommersielle og lettindustrielle miljøer:  
niniejszym oświadczam na swoją wyłączną odpowiedzialność, że klimatyzatory i pompy ciepła opisane poniżej, są przeznaczone do zastosowań w środowisku mieszkalnym, handlowym i lekko przemysłowym:

**MITSUBISHI ELECTRIC, PUHZ-P200YKA\*, PUHZ-P250YKA\***  
**PUHZ-ZRP200YKA\*, PUHZ-ZRP250YKA\***  
\* : , , 1, 2, 3, . . . , 9

Note: Its serial number is on the nameplate of the product.  
Hinweis: Die Seriennummer befindet sich auf dem Kennschild des Produkts.  
Remarque : Le numéro de série de l'appareil se trouve sur la plaque du produit.  
Opmerking: het serienummer staat op het naamplaatje van het product.  
Nota: El número de serie se encuentra en la placa que contiene el nombre del producto.  
Nota: il numero di serie si trova sulla targhetta del prodotto.  
Σημείωση: Ο σειριακός του αριθμός βρίσκεται στην πινακίδα ονόματος του προϊόντος.

Nota: o número de série encontra-se na placa que contém o nome do produto.  
Bemærk: Serienummeret står på produktets fabriksskilt.  
Obs: Serienumret finns på produktens namnplåt.  
Not: Seri numarasi ürünün isim plakasında yer alır.  
Примечание: серийный номер указан на паспортное табличке изделия.  
Merk: Serienummeret befinner seg på navneplaten til produktet.  
Uwaga: Numer seryjny znajduje się na tabliczce znamionowej produktu.

Directives	Directivas
Richtlijnen	Direktiver
Directives	Direktiv
Richtlijnen	Direktifler
Directivas	Директивы
Direttive	Direktiver
Οδηγίες	Direktywy

2014/35/EU: Low Voltage  
2006/42/EC: Machinery  
2014/30/EU: Electromagnetic Compatibility  
2011/65/EU: RoHS

Issued:  
UNITED KINGDOM

20 Apr. 2016

Takashi TANABE  
Manager, Quality Assurance Department

## <ENGLISH>

English is original. The other languages versions are translation of the original.

### ▲ CAUTION

- Refrigerant leakage may cause suffocation. Provide ventilation in accordance with EN378-1.
- Be sure to wrap insulation around the piping. Direct contact with the bare piping may result in burns or frostbite.
- Never put batteries in your mouth for any reason to avoid accidental ingestion.
- Battery ingestion may cause choking and/or poisoning.
- Install the unit on a rigid structure to prevent excessive operation sound or vibration.
- The A-weighted sound pressure level is below 70dB.
- This appliance is intended to be used by expert or trained users in shops, in light industry and on farms, or for commercial use by lay persons.

## <DEUTSCH>

Das Original ist in Englisch. Die anderen Sprachversionen sind vom Original übersetzt.

### ▲ VORSICHT

- Wenn Kältemittel austritt, kann dies zu Erstickungen führen. Sorgen Sie in Übereinstimmung mit EN378-1 für Durchlüftung.
- Die Leitungen müssen isoliert werden. Direkter Kontakt mit nicht isolierten Leitungen kann zu Verbrennungen oder Erfrierungen führen.
- Nehmen Sie niemals Batterien in den Mund, um ein versehentliches Verschlucken zu vermeiden.
- Durch das Verschlucken von Batterien kann es zu Erstickungen und/oder Vergiftungen kommen.
- Installieren Sie das Gerät auf einem stabilen Untergrund, um übermäßige Betriebsgeräusche oder -schwingungen zu vermeiden.
- Der A-gewichtete Schalldruckpegel ist niedriger als 70dB.
- Dieses Gerät ist vorgesehen für die Nutzung durch Fachleute oder geschultes Personal in Werkstätten, in der Leichtindustrie und in landwirtschaftlichen Betrieben oder für die kommerzielle Nutzung durch Laien.

## <FRANÇAIS>

L'anglais est l'original. Les versions fournies dans d'autres langues sont des traductions de l'original.

### ▲ PRECAUTION

- Une fuite de réfrigérant peut entraîner une asphyxie. Fournissez une ventilation adéquate en accord avec la norme EN378-1.
- Assurez-vous que la tuyauterie est enveloppée d'isolant. Un contact direct avec la tuyauterie nue peut entraîner des brûlures ou des engelures.
- Ne mettez jamais des piles dans la bouche pour quelque raison que ce soit pour éviter de les avaler par accident.
- Le fait d'ingérer des piles peut entraîner un étouffement et/ou un empoisonnement.
- Installez l'appareil sur une structure rigide pour prévenir un bruit de fonctionnement et une vibration excessifs.
- Le niveau de pression acoustique pondéré est en dessous de 70 dB.
- Cet appareil est conçu pour un utilisateur expert ou les utilisateurs formés en magasin, dans l'industrie légère et dans l'agriculture ou dans le commerce par le profane.

## <NEDERLANDS>

Het Engels is het origineel. De andere taalversies zijn vertalingen van het origineel.

### ▲ VOORZICHTIG

- Het lekken van koelvloeistof kan verstikking veroorzaken. Zorg voor ventilatie in overeenstemming met EN378-1.
- isoleer de leidingen met isolatiemateriaal. Direct contact met de onbedekte leidingen kan leiden tot brandwonden of bevriezing.
- Stop nooit batterijen in uw mond om inslikking te voorkomen.
- Het inslikken van batterijen kan verstikking of vergiftiging veroorzaken.
- Installeer het apparaat op een stabiele structuur om overmatig lawaai of trillingen te voorkomen.
- Het niveau van de geluidsdruk ligt onder 70 dB(A).
- Dit apparaat is bedoeld voor gebruik door ervaren of opgeleide gebruikers in werkplaatsen, in de lichte industrie en op boerderijen, of voor commercieel gebruik door leken.

## <ESPAÑOL>

El idioma original del documento es el inglés. Las versiones en los demás idiomas son traducciones del original.

### ▲ CUIDADO

- Las pérdidas de refrigerante pueden causar asfixia. Se debe proporcionar la ventilación determinada en EN378-1.
- Asegúrese de colocar el aislante alrededor de las tuberías. El contacto directo con la tubería puede ocasionar quemaduras o congelación.
- Para evitar una ingestión accidental, no coloque las pilas en su boca bajo ningún concepto.
- La ingestión de las pilas puede causar asfixia y/o envenenamiento.
- Coloque la unidad en una estructura rígida para evitar que se produzcan sonidos o vibraciones excesivos debidos a su funcionamiento.
- El nivel de presión acústica ponderado A es inferior a 70 dB.
- Este aparato está destinado a su uso por parte de usuarios expertos o capacitados en talleres, industrias ligeras y granjas, o a su uso comercial por parte de personas no expertas.

## <ITALIANO>

Il testo originale è redatto in lingua Inglese. Le altre versioni linguistiche rappresentano traduzioni dell'originale.

### ▲ ATTENZIONE

- Le perdite di refrigerante possono causare asfissia. Prevedere una ventilazione adeguata in conformità con la norma EN378-1.
- Accertarsi di applicare materiale isolante intorno alle tubature. Il contatto diretto con le tubature non schermate può provocare ustioni o congelamento.
- Non introdurre in nessun caso le batterie in bocca onde evitare ingestioni accidentali.
- L'ingestione delle batterie può provocare soffocamento e/o avvelenamento.
- Installare l'unità su una struttura rigida in modo da evitare rumore o vibrazioni eccessivi durante il funzionamento.
- Il livello di pressione del suono ponderato A è inferiore a 70dB.
- Questa apparecchiatura è destinata all'utilizzo da parte di utenti esperti o addestrati in negozi, industria leggera o fattorie oppure a un uso commerciale da parte di persone non esperte.

## <ΕΛΛΗΝΙΚΑ>

Η γλώσσα του πρωτοτύπου είναι η αγγλική. Οι εκδόσεις άλλων γλωσσών είναι μεταφράσεις του πρωτοτύπου.

### ▲ ΠΡΟΣΟΧΗ

- Η διαρροή του ψυκτικού ενδέχεται να προκαλέσει ασφυξία. Φροντίστε για τον εξερισμό σύμφωνα με το πρότυπο EN378-1.
- Φροντίστε να τυλίξετε με μονωτικό υλικό τη σωλήνωση. Η απευθείας επαφή με τη γυμνή σωλήνωση ενδέχεται να προκαλέσει εγκαύματα ή κρυοπαγήματα.
- Μη βάζετε ποτέ τις μπαταρίες στο στόμα σας για κανένα λόγο ώστε να αποφύγετε την κατά λάθος κατάποσή τους.
- Η κατάποση μπαταριών μπορεί να προκαλέσει πνιγμό ή/και δηλητηρίαση.
- Εγκαταστήστε τη μονάδα σε σταθερή κατασκευή ώστε να αποφύγετε τον έντονο ήχο λειτουργίας ή τους κραδασμούς.
- Η Α-σταθμισμένη στάθμη ηχητικής πίεσης είναι κάτω των 70dB.
- Η ασκασία αυτή προορίζεται για χρήση από εμπειρικούς ή εκπαιδευμένους χρήστες σε καταστήματα, στην ελαφριά βιομηχανία και σε αγροκτήματα, ή για εμπορική χρήση από άτομα τα οποία δεν είναι ειδήμονες.

## <PORTUGUÊS>

O idioma original é o inglês. As versões em outros idiomas são traduções do idioma original.

### ▲ CUIDADO

- A fuga de refrigerante pode causar asfixia. Garanta a ventilação em conformidade com a norma EN378-1.
- Certifique-se de que envolve as tubagens com material de isolamento. O contacto directo com tubagens não isoladas pode resultar em queimaduras ou ulcerações provocadas pelo frio.
- Nunca coloque pilhas na boca, por nenhum motivo, para evitar a ingestão accidental.
- A ingestão de uma pilha pode causar obstrução das vias respiratórias e/ou envenenamento.
- Instale a unidade numa estrutura robusta, de forma a evitar ruídos ou vibrações excessivos durante o funcionamento.
- O nível de pressão sonora ponderado A é inferior a 70 dB.
- Este equipamento destina-se a ser utilizado por especialistas ou utilizadores com formação em lojas, na indústria ligeira e em quintas, ou para utilização comercial por leigos.

## <DANSK>

Engelsk er originalen. De andre sprogversioner er oversættelser af originalen.

### ▲ FORSIGTIG

- Lækage af kølemiddel kan forårsage kvælning. Sørg for udluftning i overensstemmelse med EN378-1.
- Sørg for at pakke rørene ind i isolering. Direkte kontakt med ubeklædte rør kan forårsage forbrændinger eller forfrysninger.
- Batterier må under ingen omstændigheder tages i munden for at forhindre utilsigtet indtagelse.
- Indtagelse af batterier kan forårsage kvælning og/eller forgiftning.
- Monter enheden på en fast struktur for at forhindre for høje driftslyde eller vibrationer.
- Det A-vægtede lydtrykniveau er under 70dB.
- Dette apparat er beregnet til at blive brugt af eksperter eller udlærte brugere i butikker, inden for let industri og på gårde eller til kommerciel anvendelse af lægmænd.

## <SVENSKA>

Engelska är originalspråket. De övriga språkversionerna är översättningar av originalet.

### ▲ FÖRSIKTIGHET

- Köldmedelsläckage kan leda till kvävning. Tillhandahåll ventilation i enlighet med EN378-1.
- Kom ihåg att linda isolering runt rören. Direktkontakt med bara rör kan leda till brännskador eller köldskador.
- Stoppa aldrig batterier i munnen, de kan sväljas av misstag.
- Om ett batteri sväljs kan det leda till kvävning och/eller förgiftning.
- Montera enheten på ett stadigt underlag för att förhindra höga driftslyde och vibrationer.
- Den A-vägda ljudtrycksnivån är under 70dB.
- Denna apparat är ämnad för användning av experter eller utbildade användare i affärer, inom lätt industri och på lantbruk, eller för kommersiell användning av lekmän.

## <TÜRKÇE>

Aslı İngilizce'dir. Diğer dillerdeki sürümler aslının çevirisidir.

### ▲ DİKKAT

- Soğutucu kaçağı boğulmaya neden olabilir. EN378-1 uyarınca uygun havalandırma sağlayın.
- Borular etrafına yalıtım yapıldığından emin olun. Borulara doğrudan çıplak elle dokunulması yanıklara veya soğuk ısırıklarına neden olabilir.
- Kazara yutmamak için, pilleri kesinlikle hiçbir amaçla ağzınıza tutmayın.
- Pillerin yutulması boğulmaya ve/veya zehirlenmeye yol açabilir.
- Aşırı çalışma seslerini veya titreşimi önlemek için, üniteyi sağlam bir yapı üzerine monte edin.
- A ağırlıklı ses gücü seviyesi 70dB'nin altındadır.
- Bu cihaz atölyelerde, hafif endüstriyel tesislerde ve çiftliklerde uzman veya eğitimli kullanıcılar tarafından kullanılacak üzere veya normal kullanıcılar tarafından ticari kullanım için tasarlanmıştır.

## <РУССКИЙ>

Языком оригинала является английский. Версии на других языках являются переводом оригинала.

### ▲ ОСТОРОЖНО

- Утечка хладагента может стать причиной удушья. Обеспечьте вентиляцию в соответствии с EN378-1.
- Обязательно оберните трубы изоляционной обмоткой. Непосредственный контакт с неизолированными трубопроводами может привести к ожогам или обморожению.
- Запрещается класть элементы питания в рот по каким бы то ни было причинам во избежание случайного проглатывания.
- Попадание элемента питания в пищеварительную систему может стать причиной удушья и/или отравления.
- Устанавливайте устройство на жесткую структуру во избежание чрезмерного шума или чрезмерной вибрации во время работы.
- Уровень звукового давления по шкале A не превышает 70 дБ.
- Данное устройство предназначено для использования специалистами или обученным персоналом в магазинах, на предприятиях легкой промышленности и фермах или для коммерческого применения непрофессионалами.

## <NORSK>

Originalspråket er engelsk. De andre språkversjonene er oversettelser av originalen.

### ▲ FORSIKTIG

- Kjølemiddel lekkasje kan forårsake kvelning. Sørg for ventilering i samsvar med EN378-1.
- Pass på at isoleringen pakkes godt rundt røret. Direkte kontakt med ukledte rør kan forårsake brannskader eller forfrysninger.
- Aldri plasser batteri i munnen, da dette kan medføre en risiko for at du svelger batteriet ved et uhell.
- Hvis du svelger et batteri, kan du risikere kvelning og/eller forgiftning.
- Installer enheten på en stabil struktur for å forhindre unødvendig mye driftsstøy eller vibrering.
- Det A-vektede lydtryknivået er under 70 dB.
- Dette apparatet er ment for bruk av eksperter eller faglært personell i butikker, lettindustri og på gårder, eller for kommersielt bruk av ikke-fagmenn.

## <POLSKI>

Językiem oryginalnym jest język angielski. Inne wersje językowe stanowią tłumaczenie oryginalu.

### ▲ UWAGA

- Wyciek czynnika chłodniczego może spowodować uduszenie. Należy zapewnić wentylację zgodnie z normą EN378-1.
- Należy pamiętać, aby owinać izolacją wokół przewodów rurowych. Bezpośredni kontakt z niezaizolowanymi przewodami rurowymi może doprowadzić do poparzeń lub odmrożeń.
- Nie wolno wkładać baterii do ust z jakiegokolwiek powodu, aby uniknąć przypadkowego połknięcia.
- Połknięcie baterii może spowodować zadławienie i/lub zatrucie.
- Zainstalować urządzenie na sztywnej konstrukcji, aby zapobiec nadmieremu hałasowi i wibracjom.
- Poziom dźwięku A nie przekracza 70 dB.
- W sklepach, w przemyśle lekkim i w gospodarstwach rolnych urządzenie powinny obsługiwać profesjonalni lub przeszkoleni użytkownicy, a w środowisku handlowym mogą to być osoby nieposiadające fachowej wiedzy.

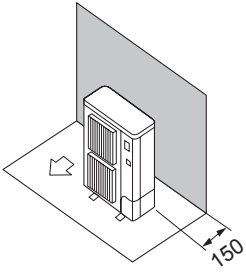


Fig. 2-6

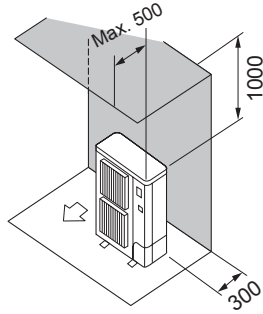


Fig. 2-7

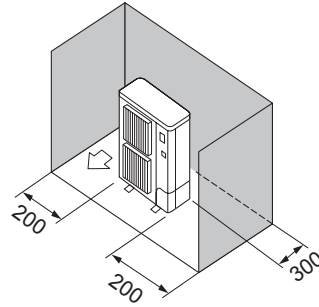


Fig. 2-8

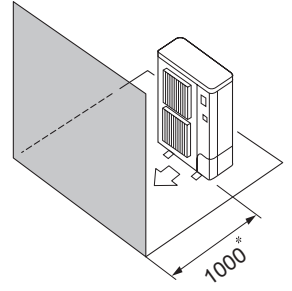


Fig. 2-9

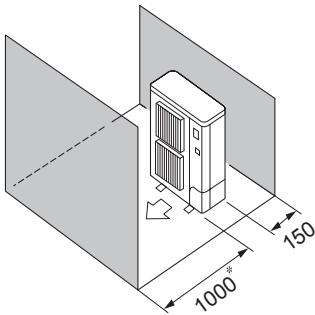


Fig. 2-10

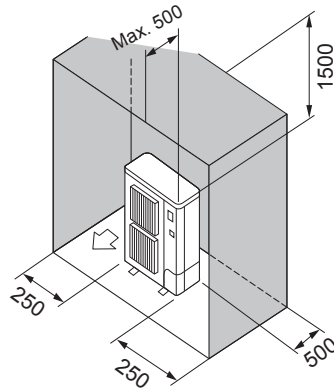


Fig. 2-11

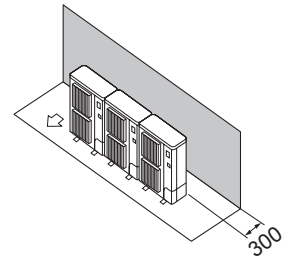


Fig. 2-12

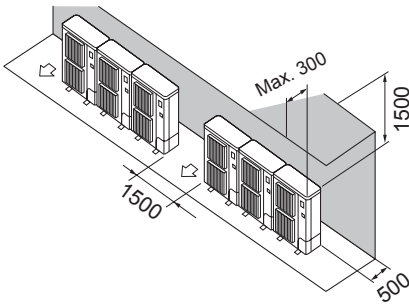


Fig. 2-13

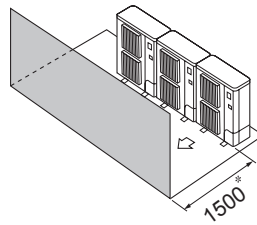


Fig. 2-14

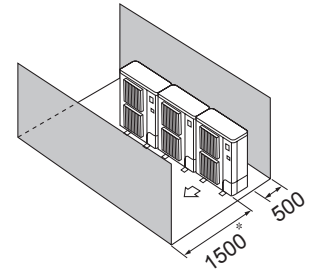


Fig. 2-15

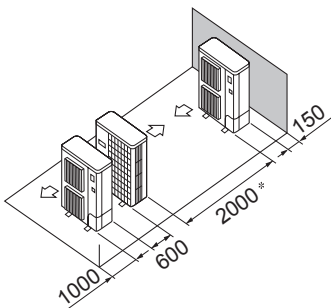


Fig. 2-16

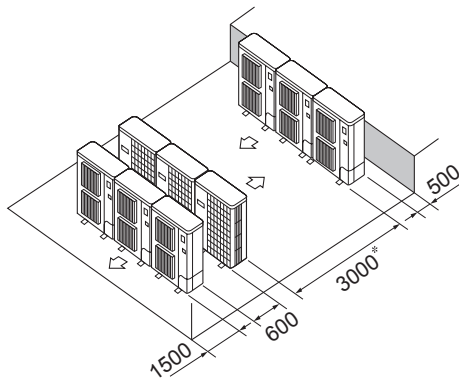


Fig. 2-17

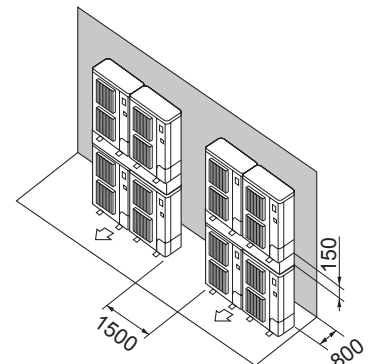


Fig. 2-18

This product is designed and intended for use in the residential,  
commercial and light-industrial environment.



**mitsubishi electric corporation**

HEAD OFFICE: TOKYO BUILDING, 2-7-3, MARUNOUCHI, CHIYODA-KU, TOKYO 100-8310, JAPAN